



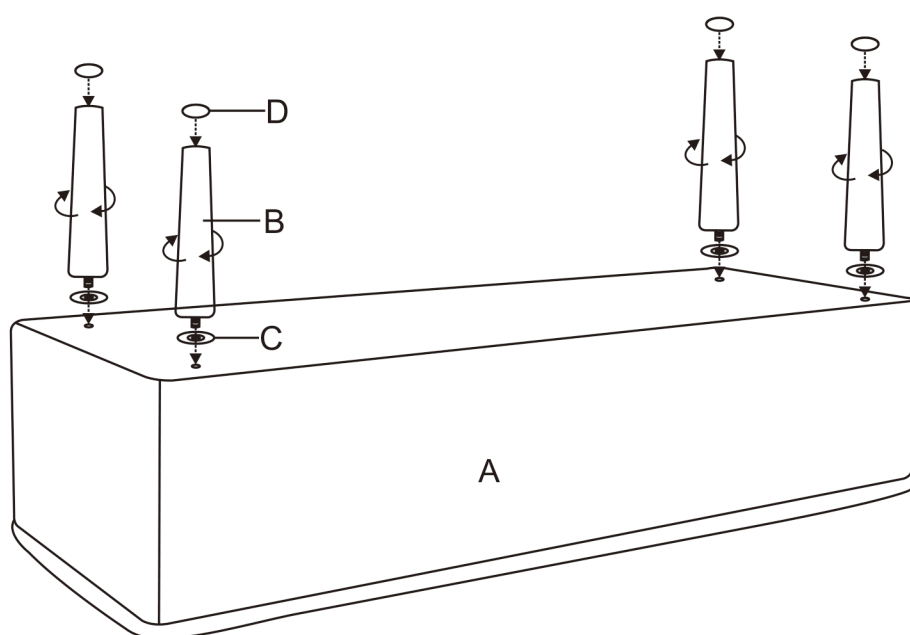


Ax1 	Bx4 	Cx4  Ø45mm	Dx4  Ø25mm
--	--	--	---

①



②

