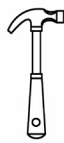


# ABIE

01032023



45 min



HDPE



LDPE



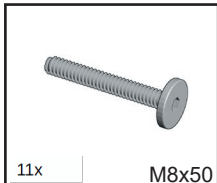
wer. PRAWY



wer. LEWY

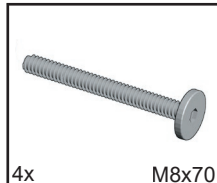


2x



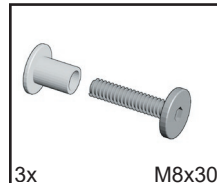
11x

M8x50



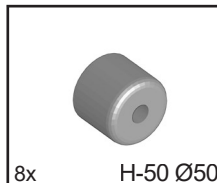
4x

M8x70



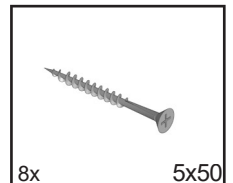
3x

M8x30



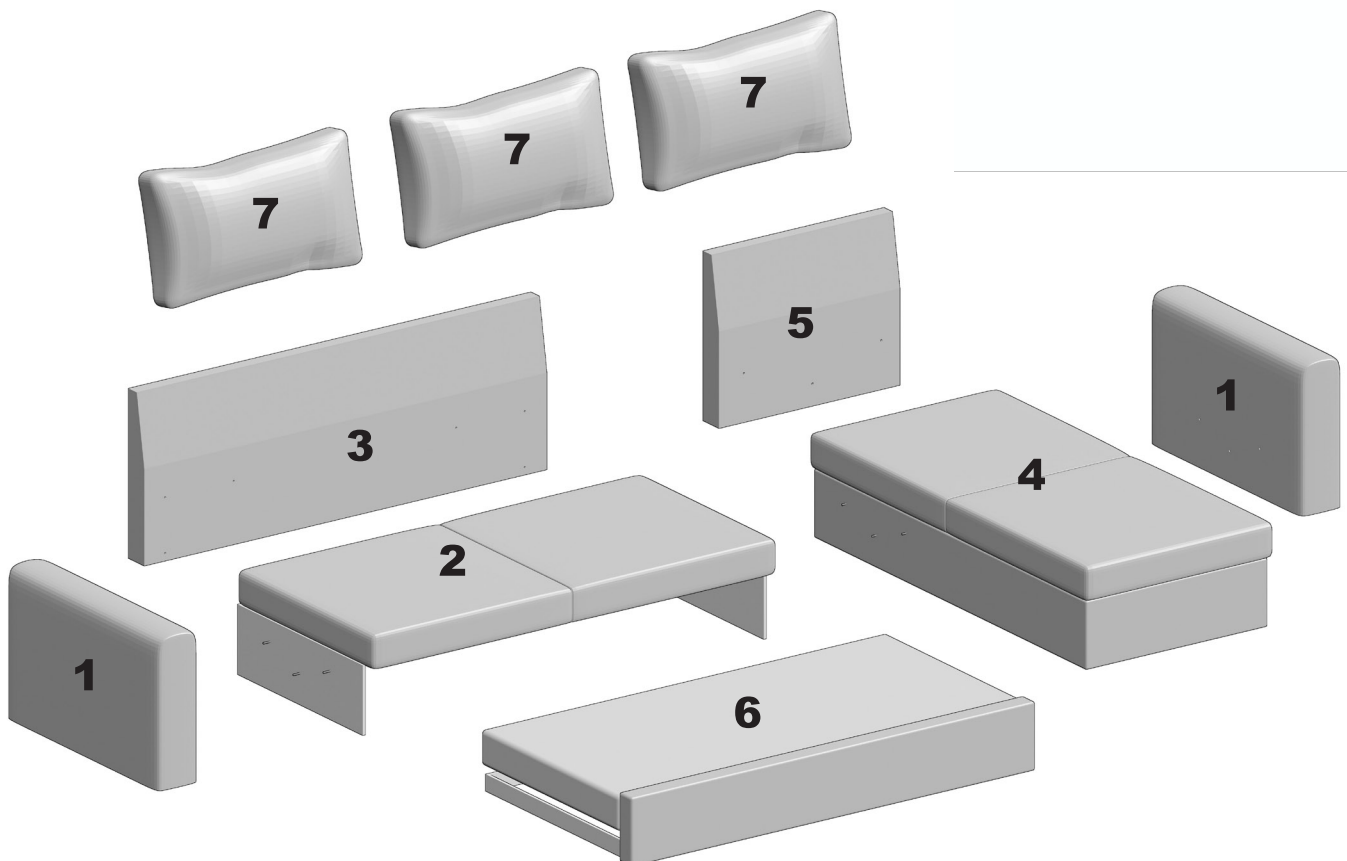
8x

H-50 Ø50



8x

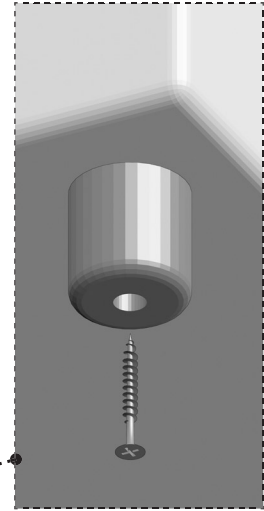
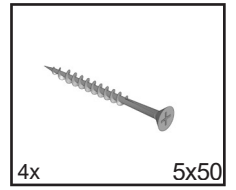
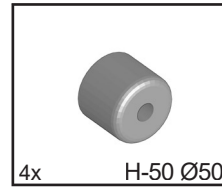
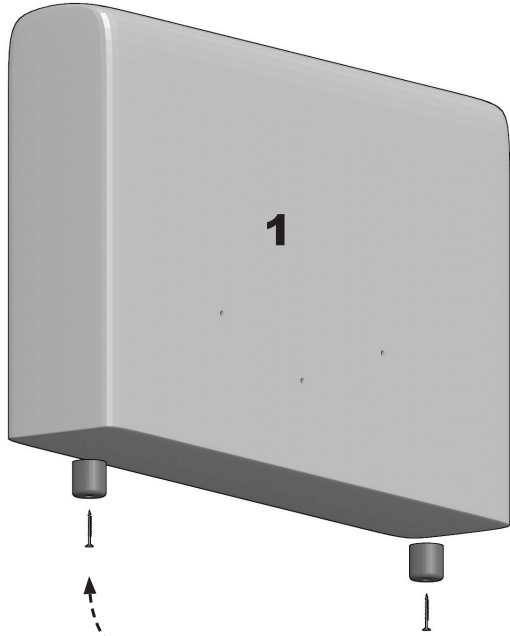
5x50



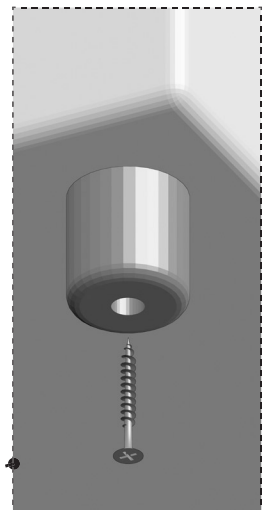
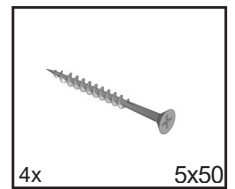
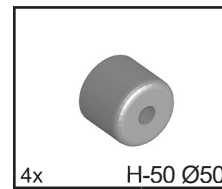
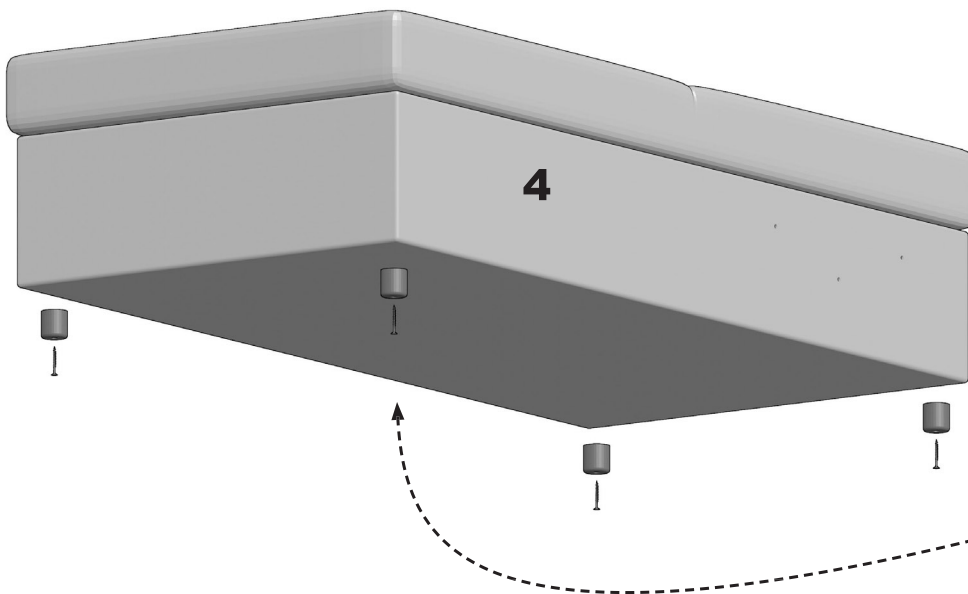
# ABIE

01032023

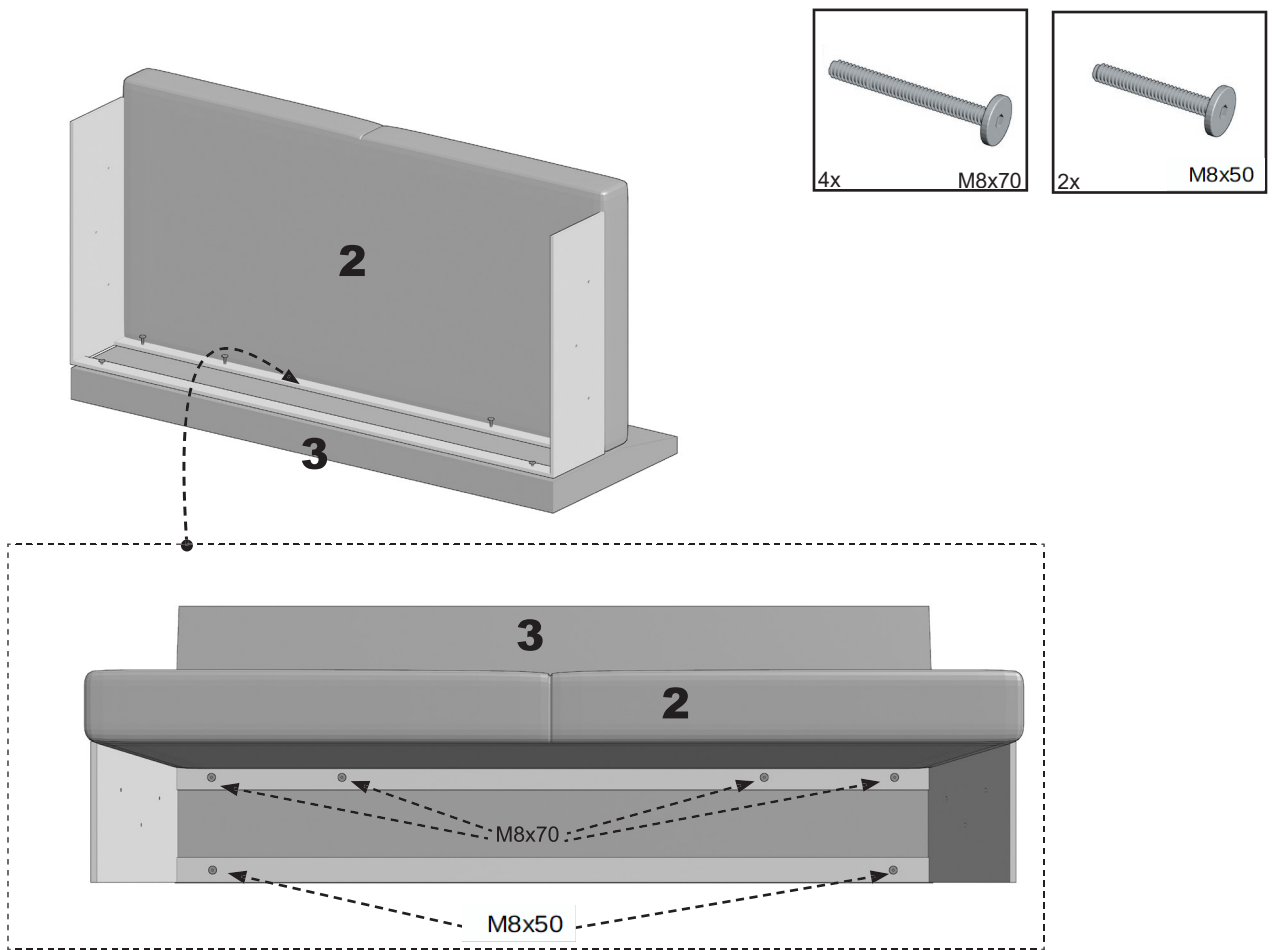
**1** 2x



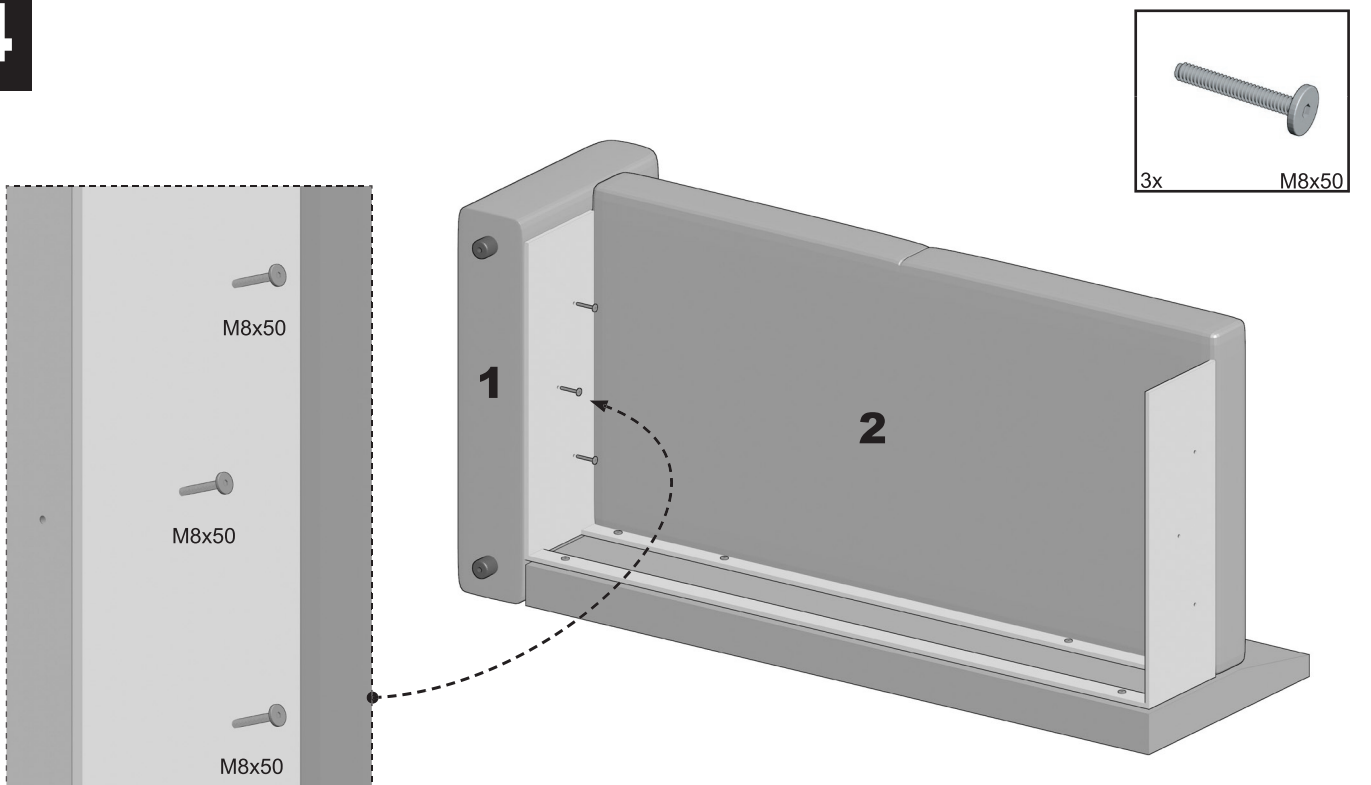
**2**



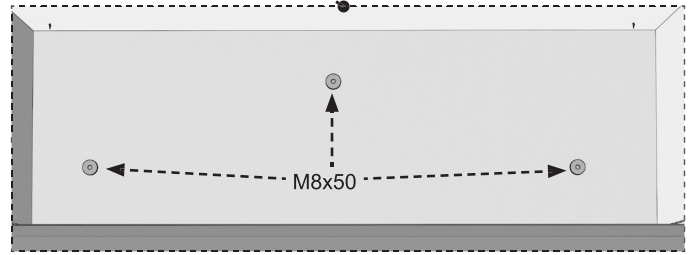
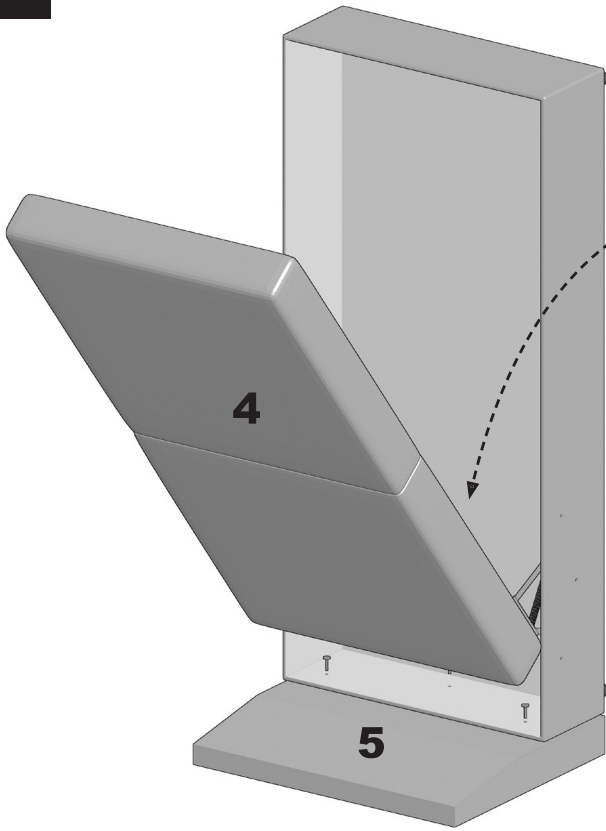
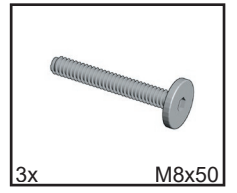
## 3



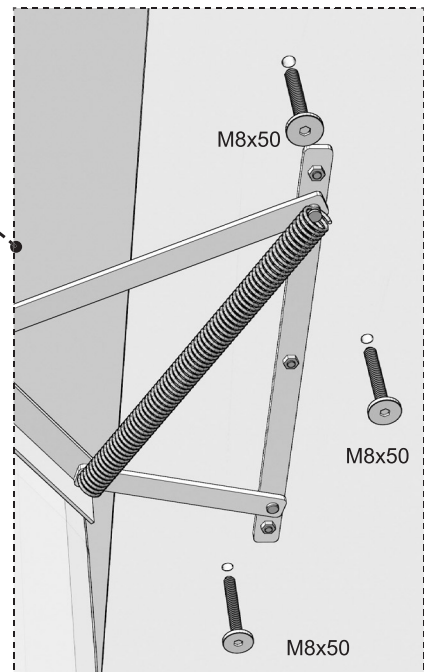
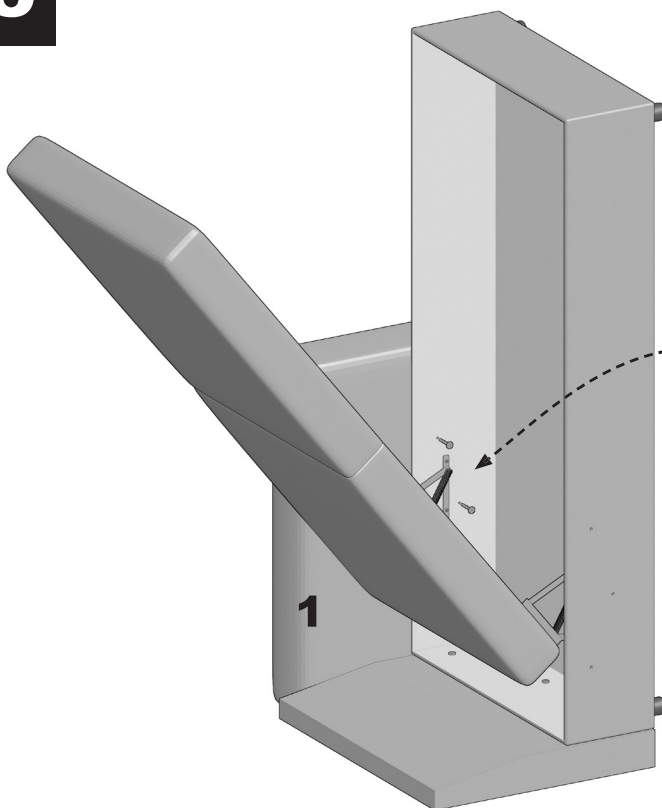
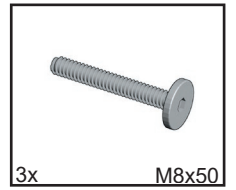
## 4



**5**



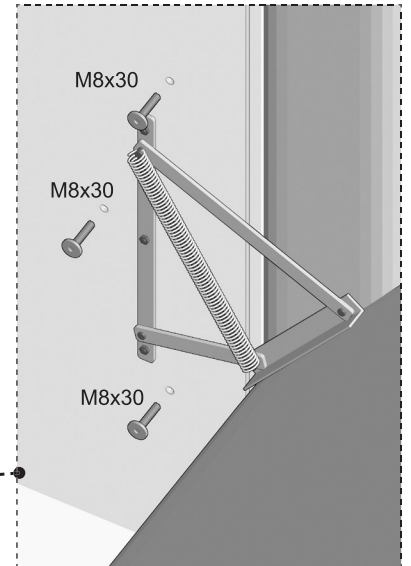
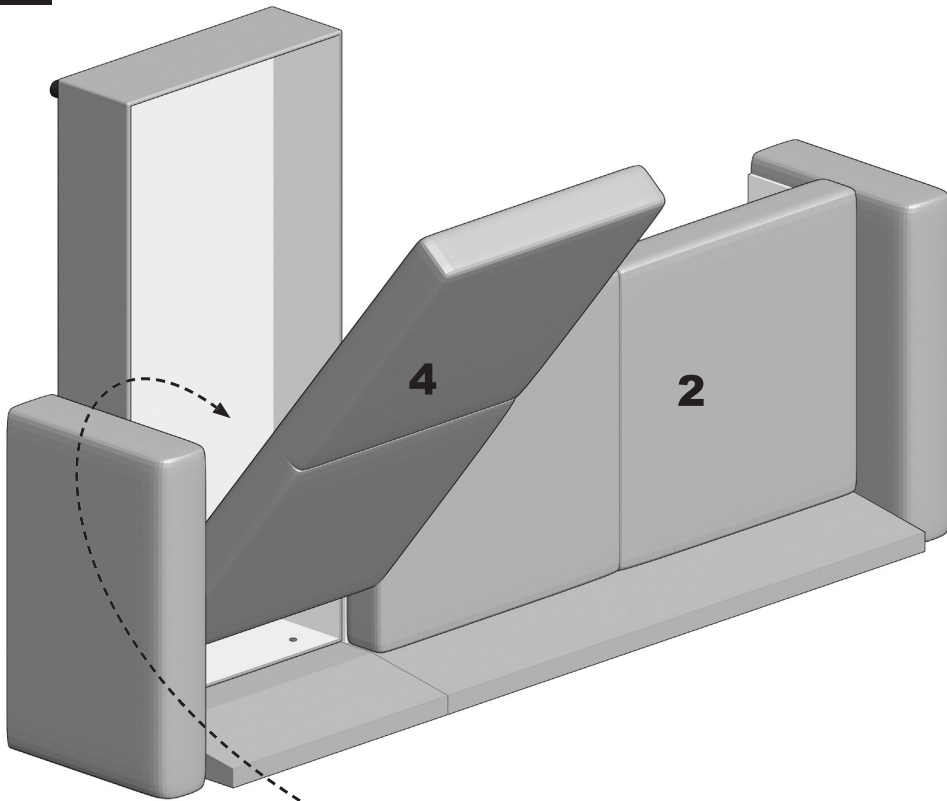
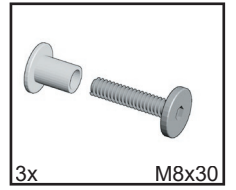
**6**



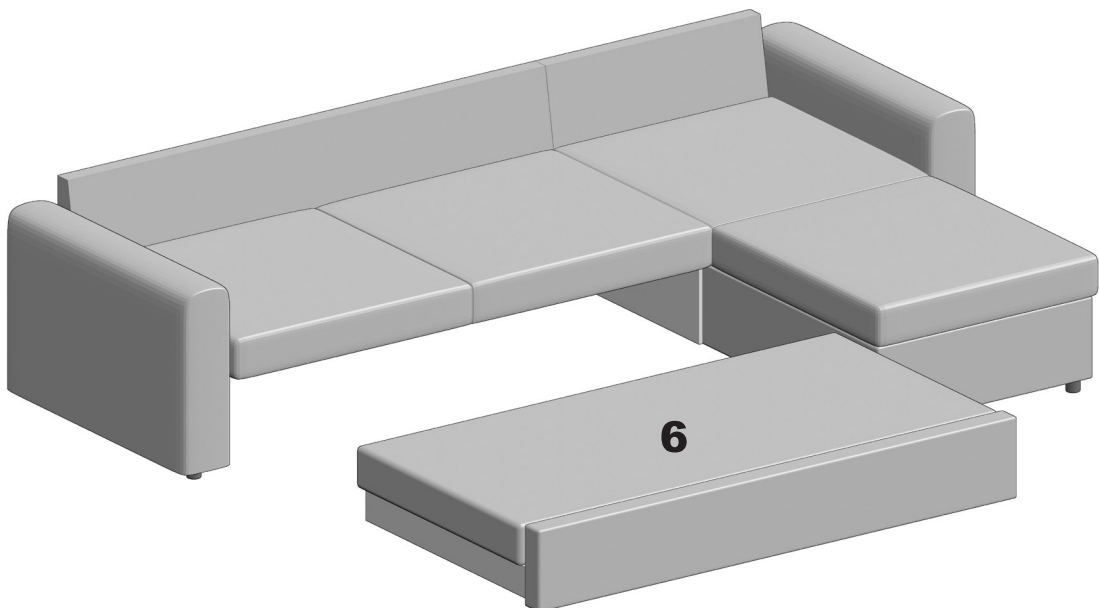
# ABIE

01032023

**7**



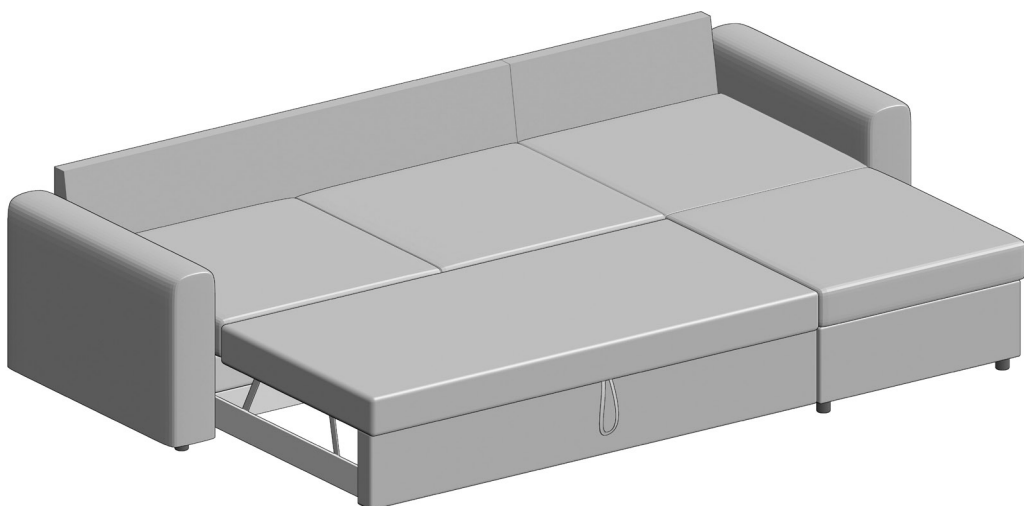
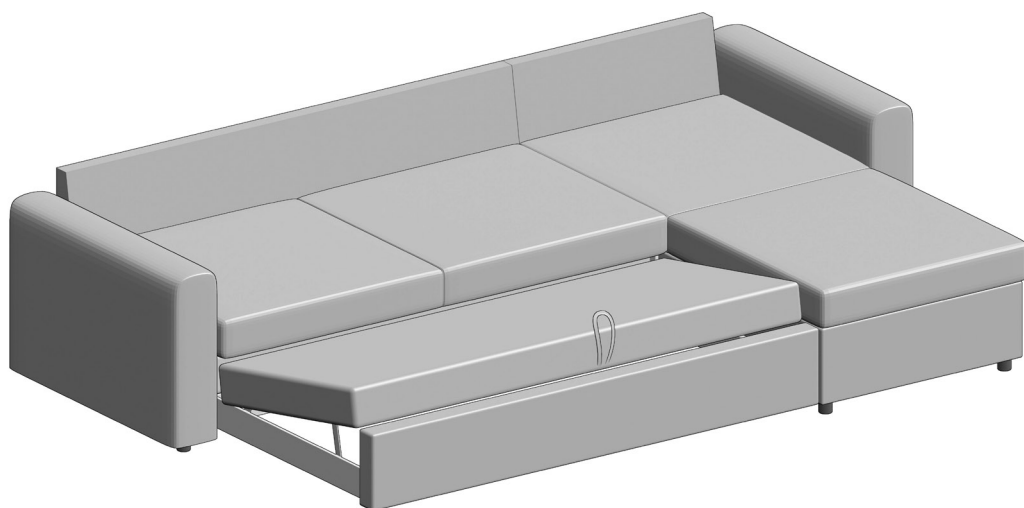
**8**



# ABIE

01032023

9



# ABIE

01032023

