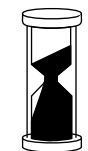
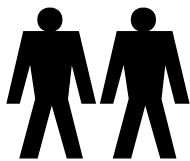




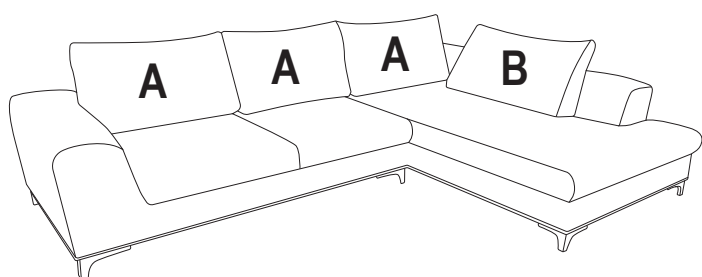
BOLOGNA



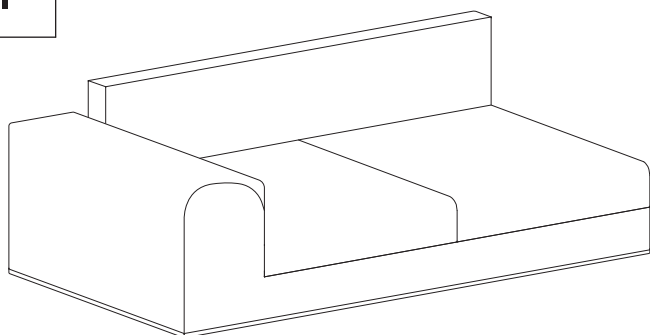
30min



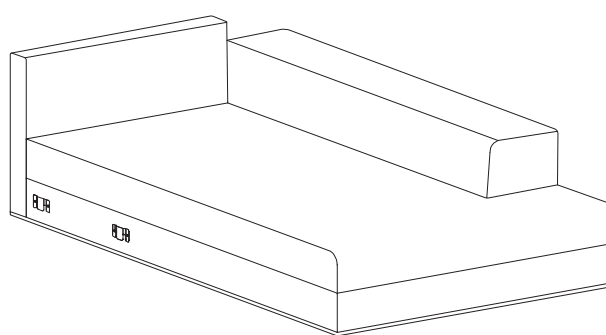
PZ2



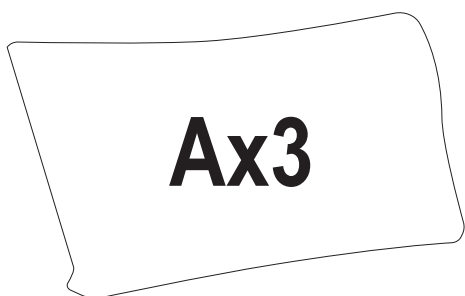
I



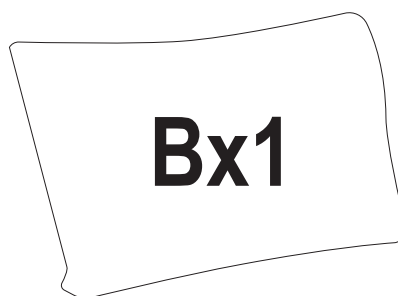
II



III



IV



Ax3



H = 100 mm

Bx3



H = 100 mm

Cx17



5x50



PZ2

Dx1



H = 110 mm

Ex4



H = 100 mm

Fx1

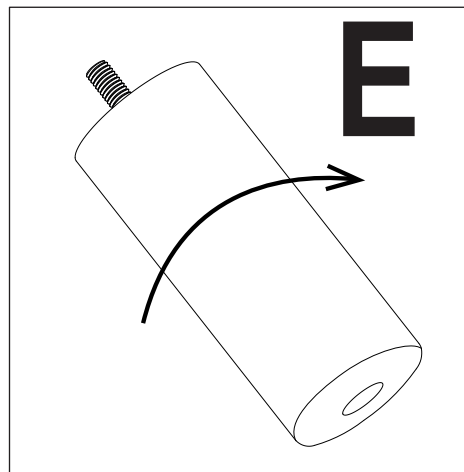
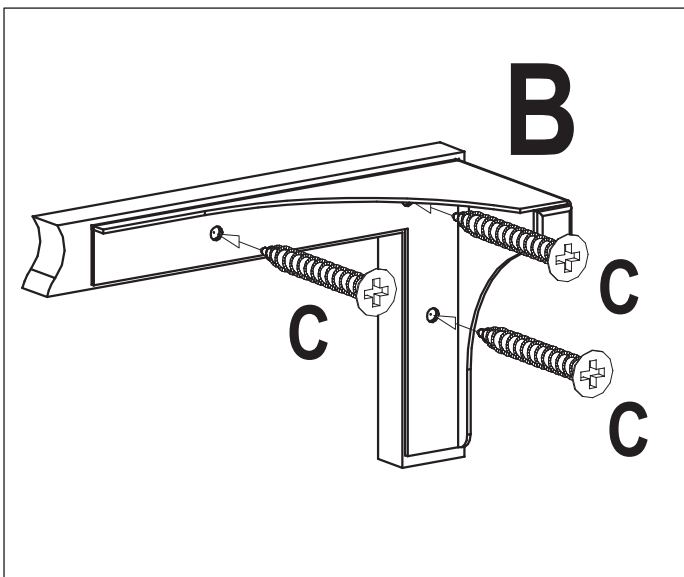
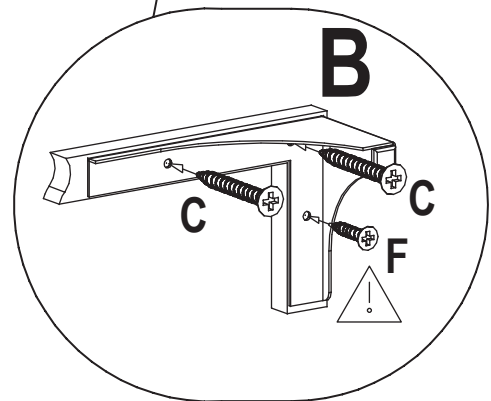
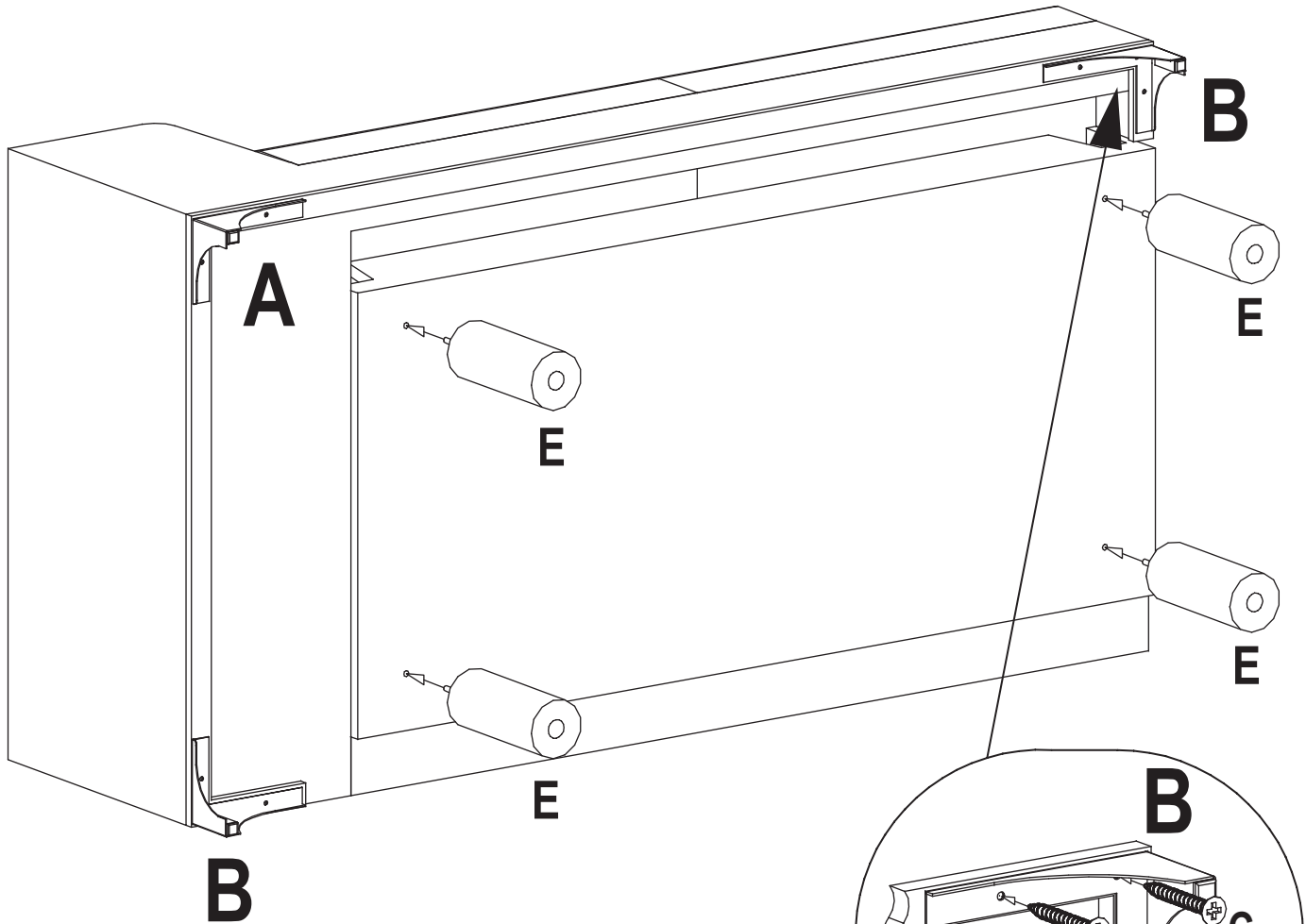
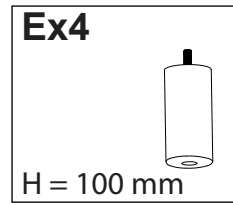
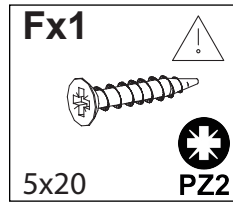
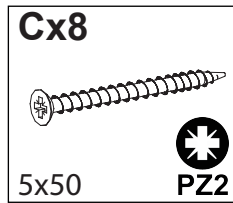
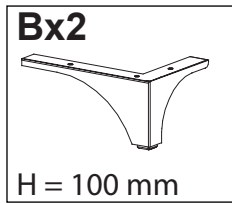
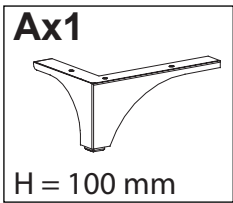


5x20

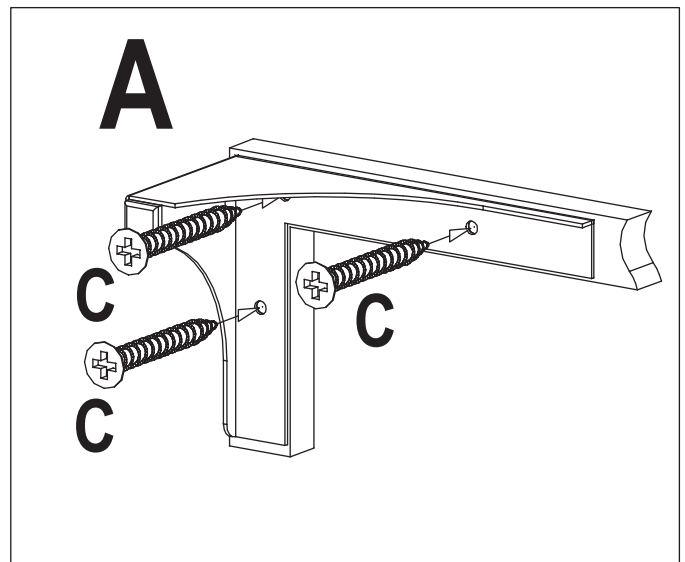
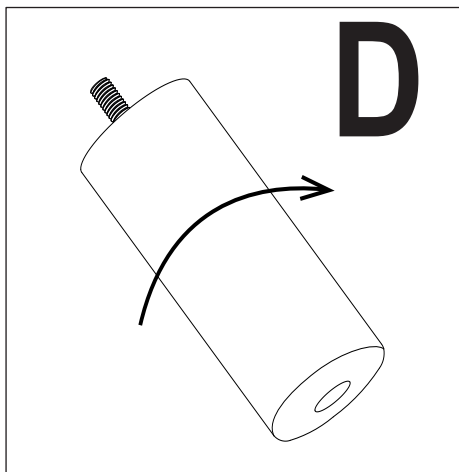
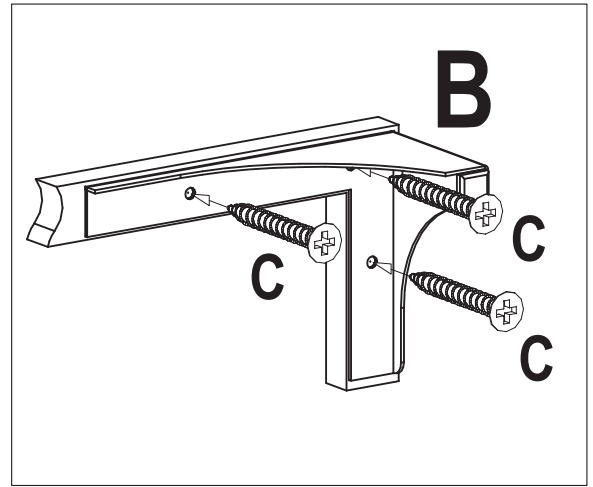
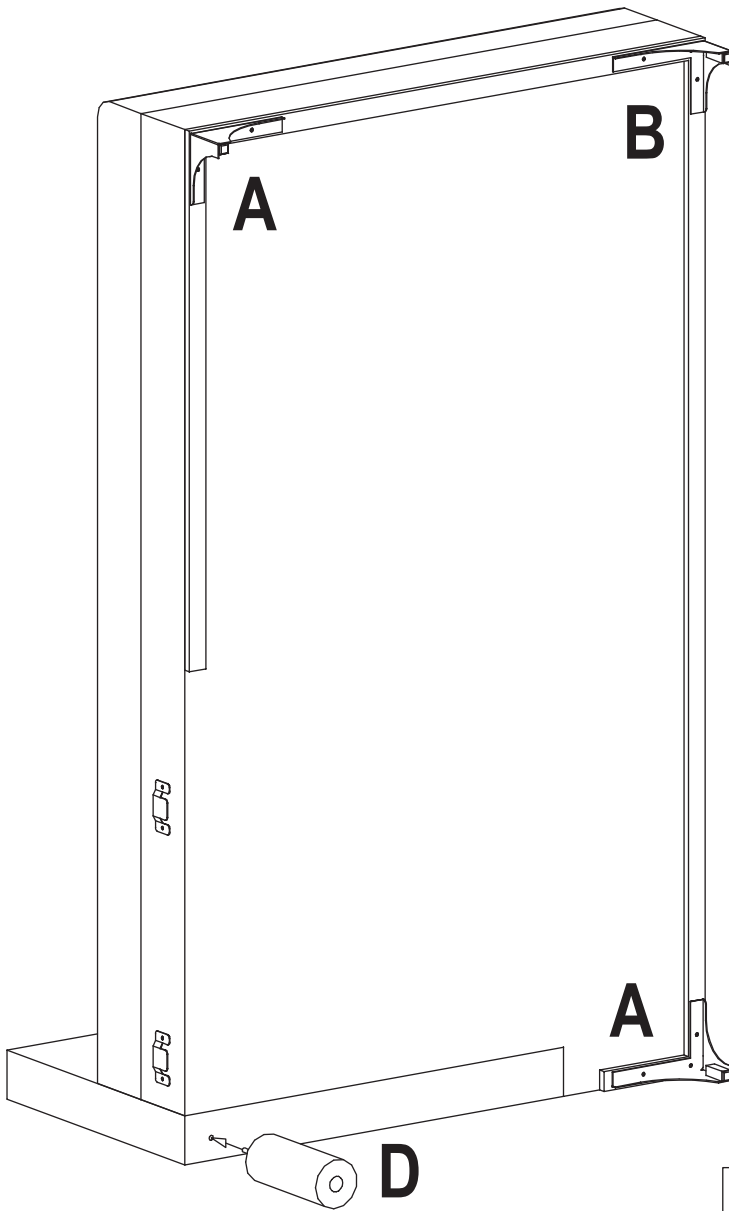
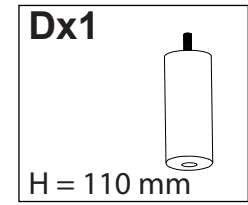
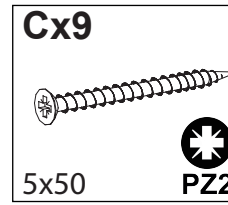
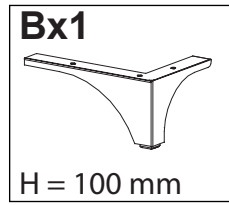
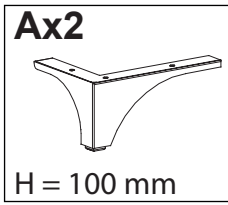


PZ2

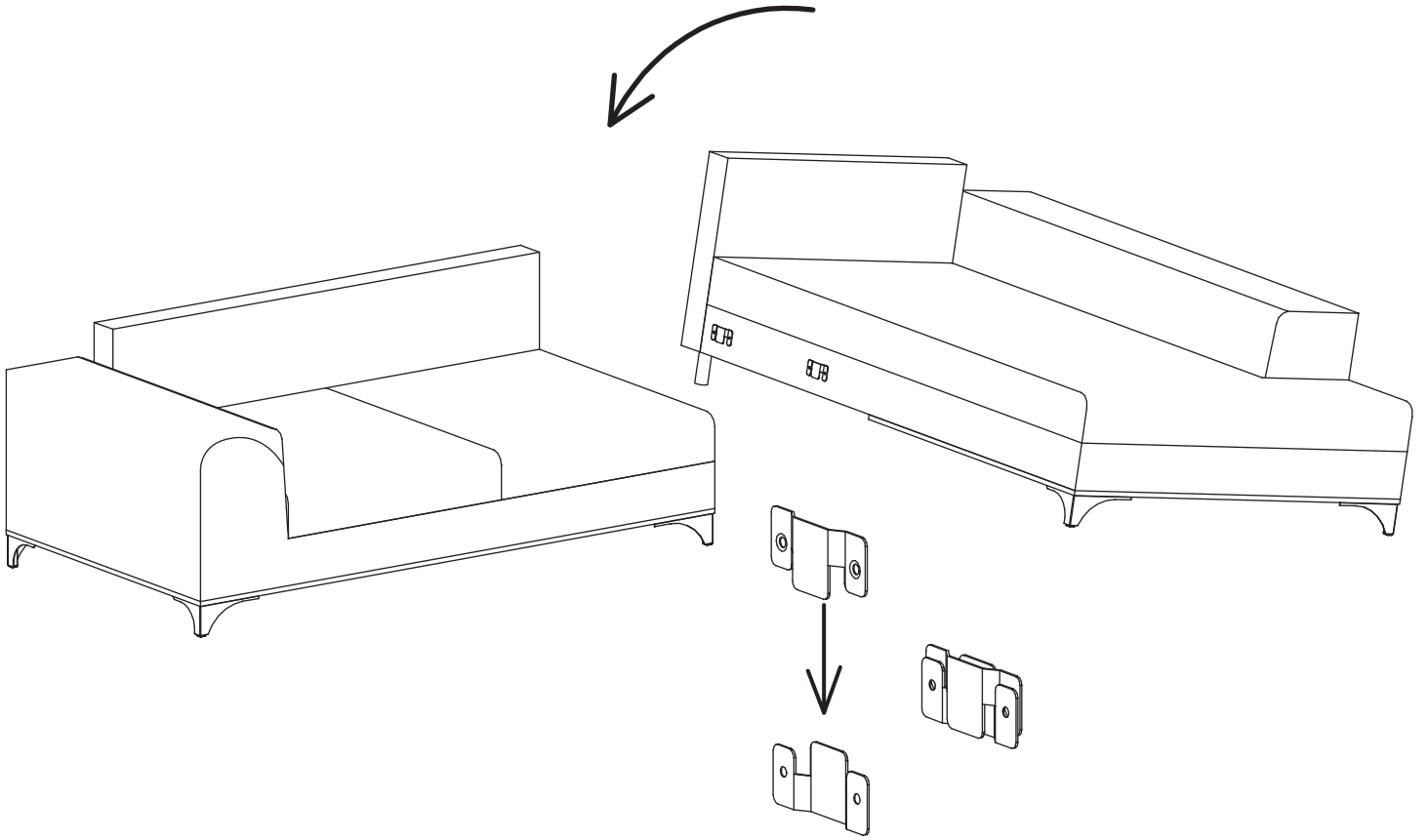
1



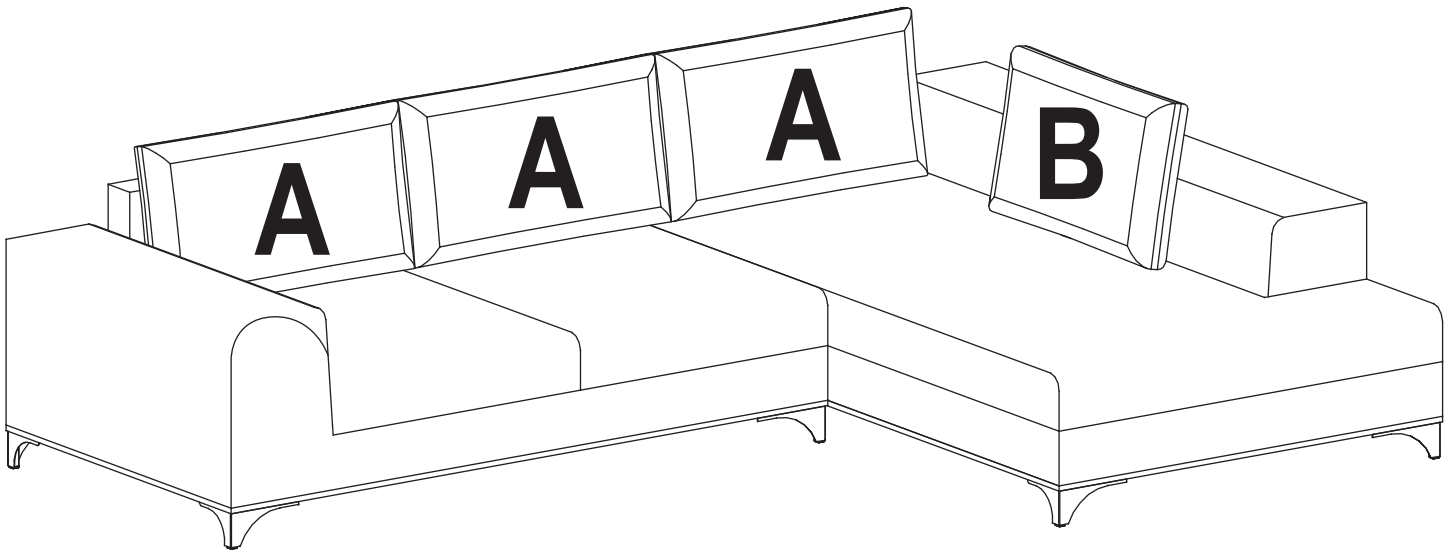
2



3



4



5

