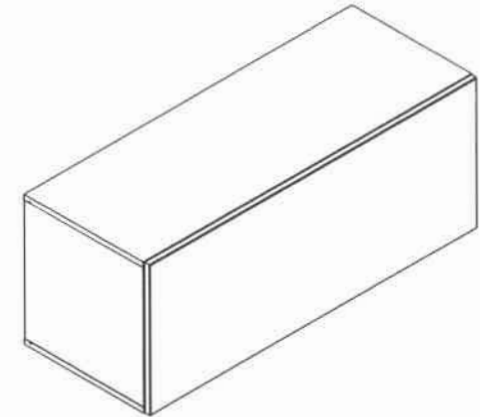
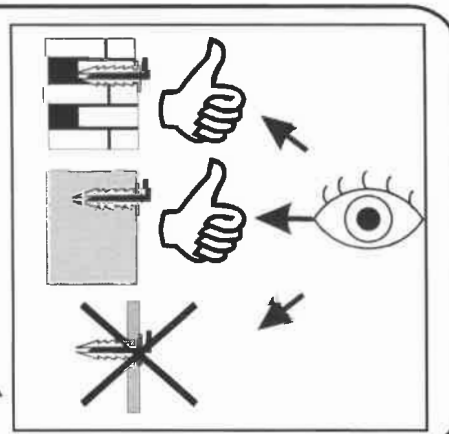
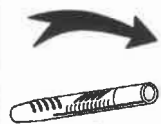
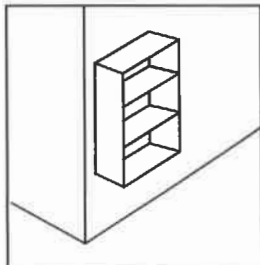
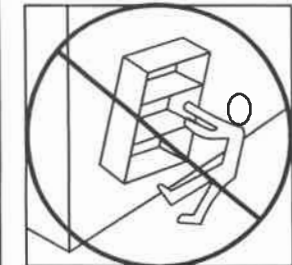
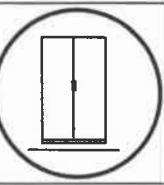
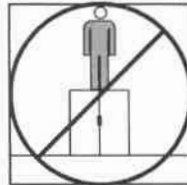
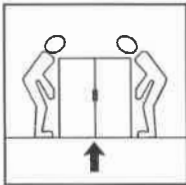
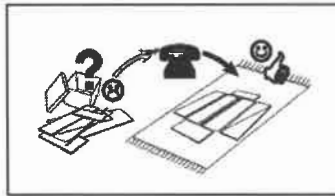
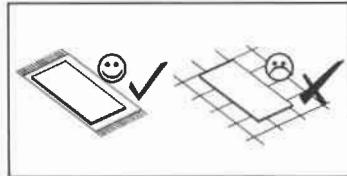
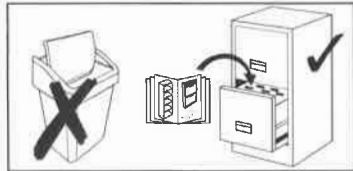
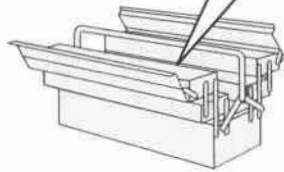
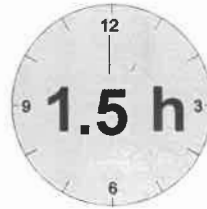
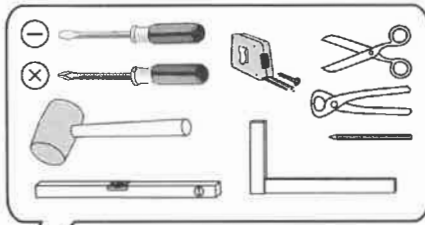
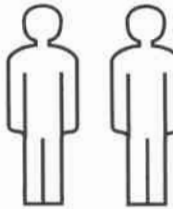
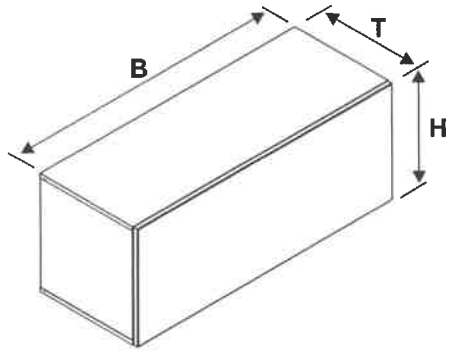


VIVA

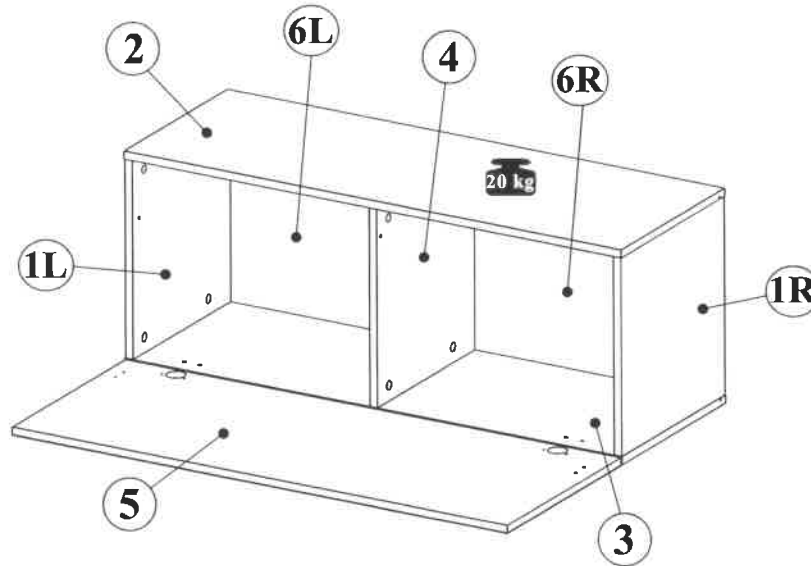
9X--VI 30

1 / 6





B - 1000mm
H - 398mm
T - 380mm



NR 1

B1 8x28 x12

M1 ϕ 15x12mm x12

T1 5x39mm x12

J23 x12

S6 3,0x20 x2

F1 x2

C14 ϕ 20mm x12

NR 2

J x1

J1 x1

S3 3,5x13 x2

NR 3

Y0 ϕ 35
Kr0 x2

D6 H2 x2

S8 4x13 x4

E3 6,3x13 x4

NR 4

N60 x2

S3 3,5x13 x10

NR 5

T24 x2L+1R

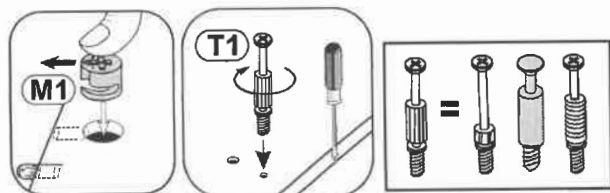
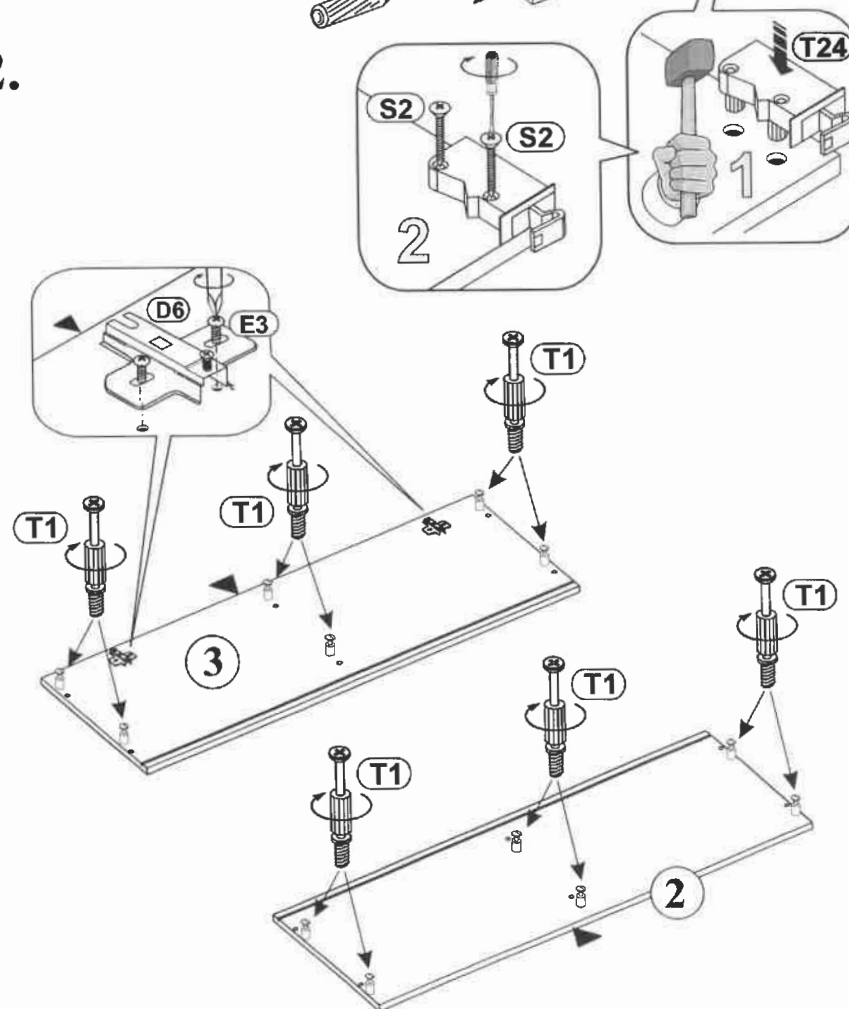
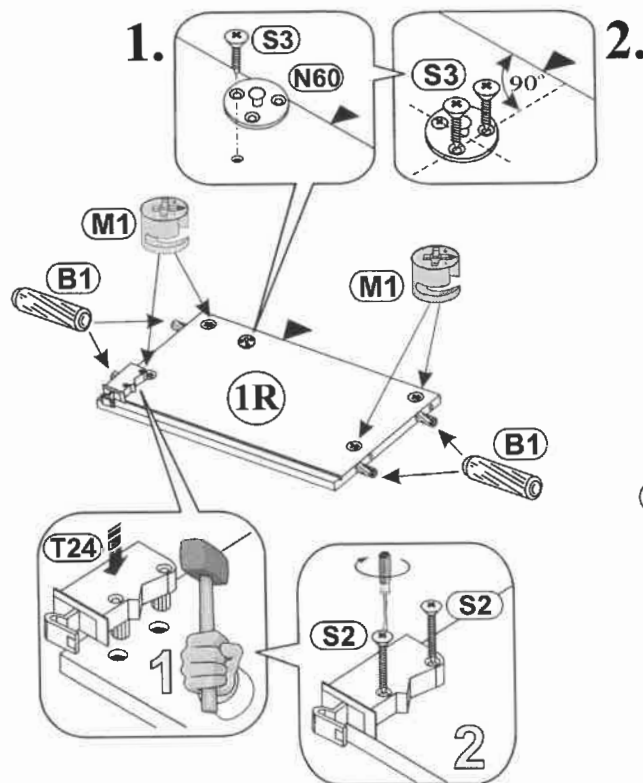
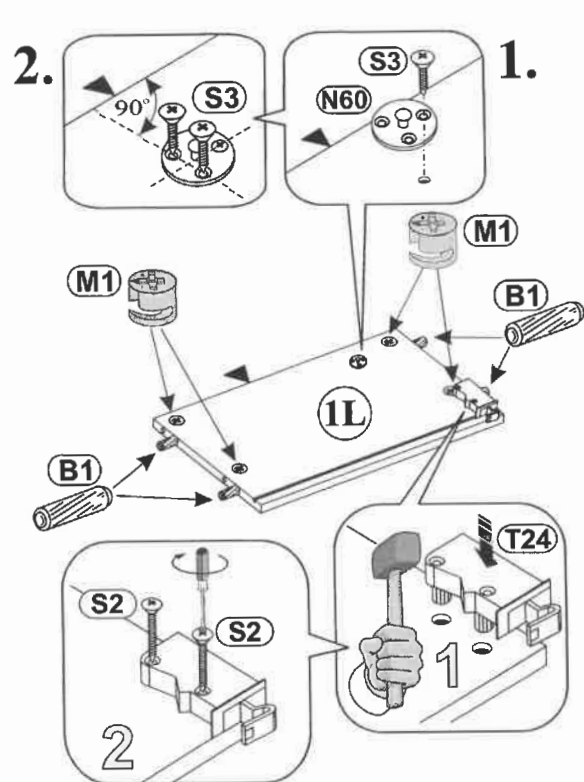
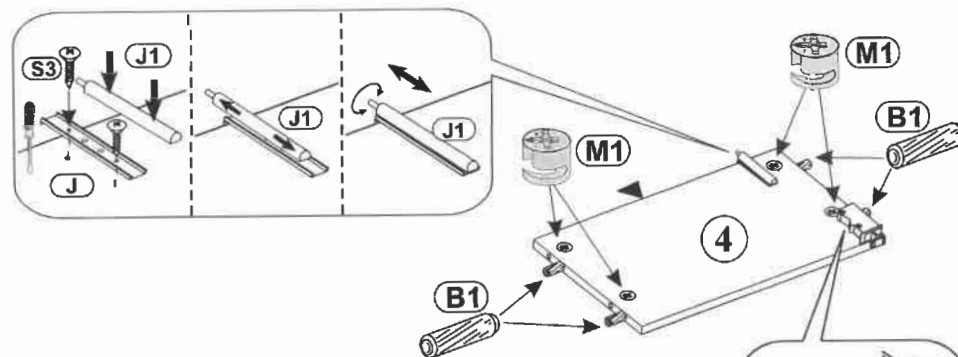
S2 4x30 x6

F34 x3

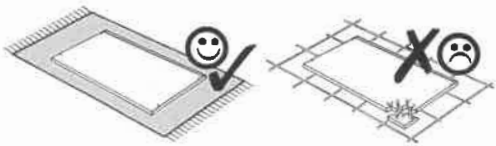
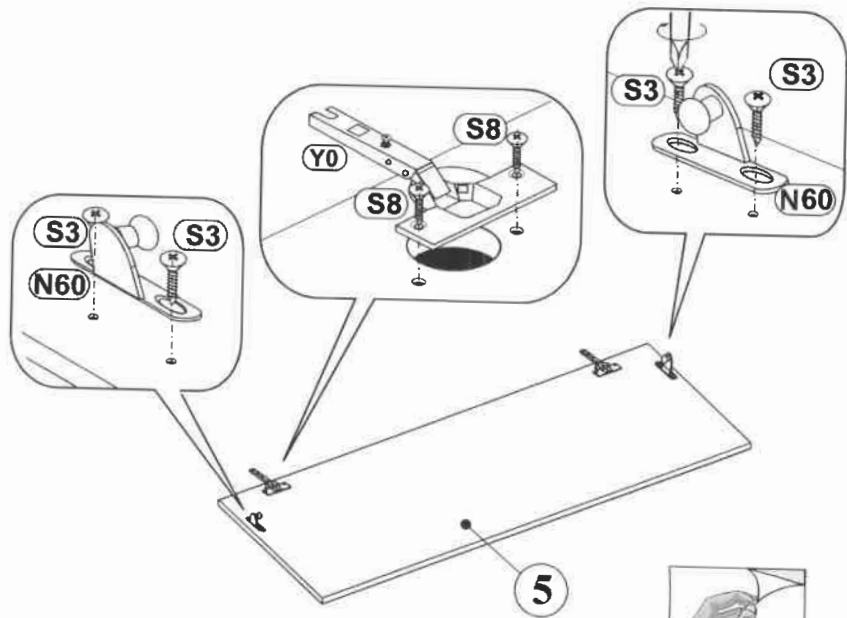
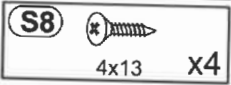
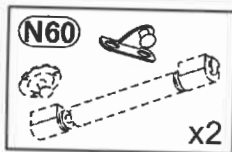
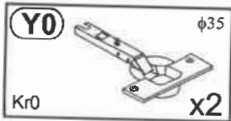
1L+1R	368	361	2	1/1
2	1000	362	1	1/1
3	1000	362	1	1/1
4	368	341	1	1/1
5	996	396	1	1/1
6L+6R	488	377	2	1/1



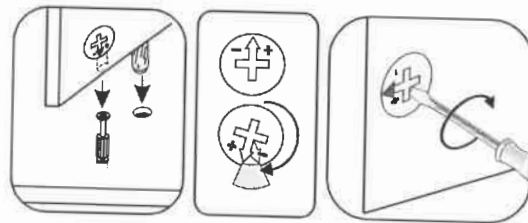
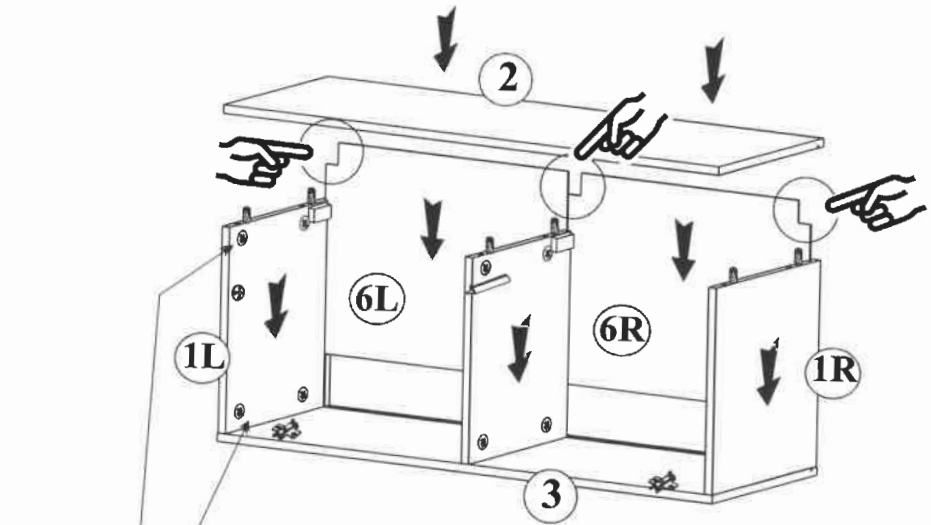
- 1**
- B1** ϕ 8x28 x12
 - M1** ϕ 15x12mm x12
 - T1** 5x39mm x12
 - D6** H2 x2
 - T24** x2L+1R
 - S2** 4x30 x6
 - E3** 6,3x13 x4
 - J** x1
 - J1** x1
 - S3** 3,5x13 x2
 - N60** x2
 - S3** 3,5x13 x6



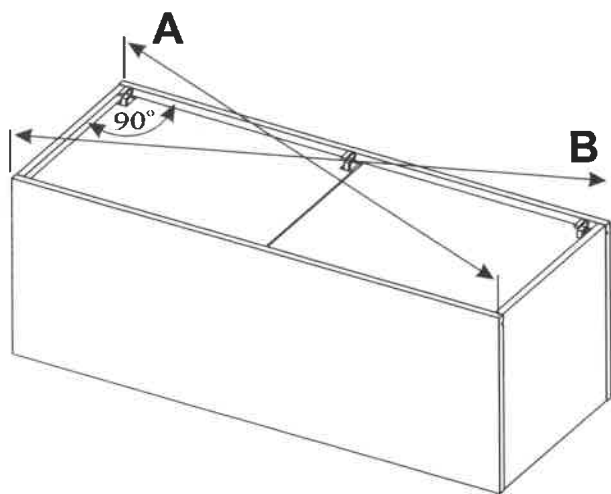
2



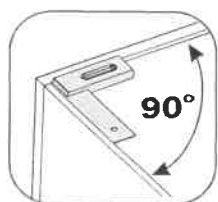
3






4

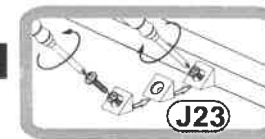
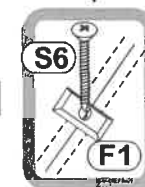
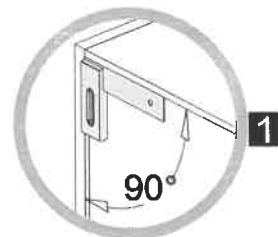
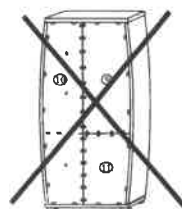
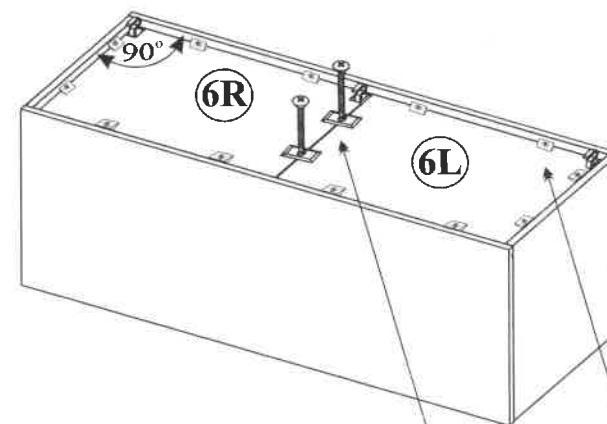


A=B 😊 ✓

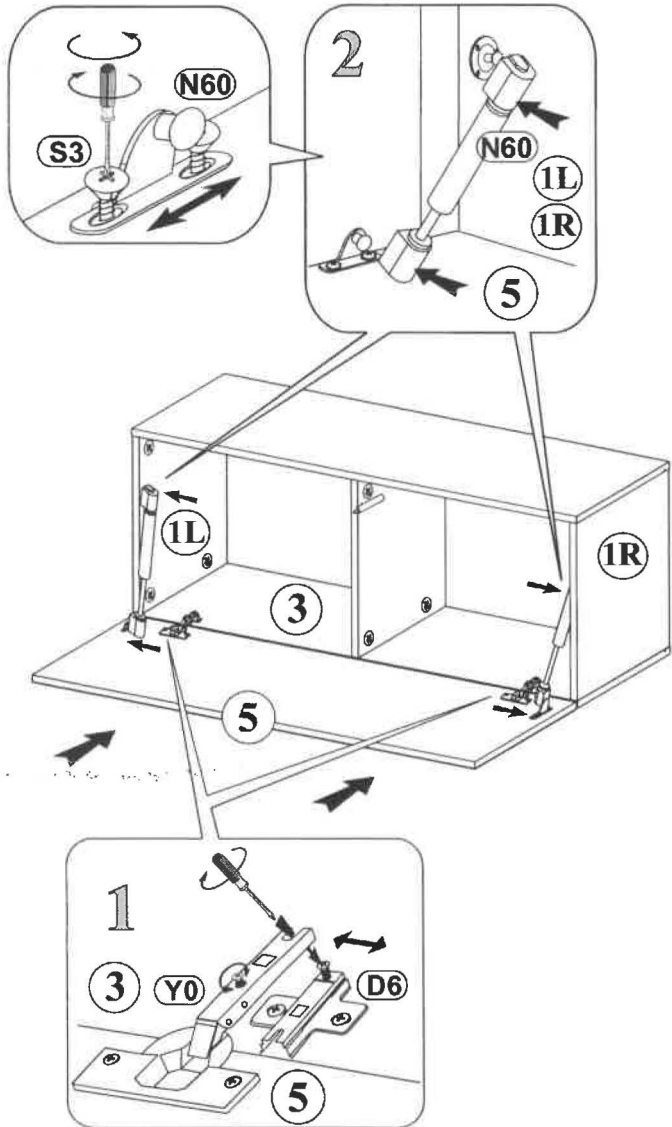


5

- J23**  x12
- S6**  3,0x20 x2
- F1**  x2



6



7

