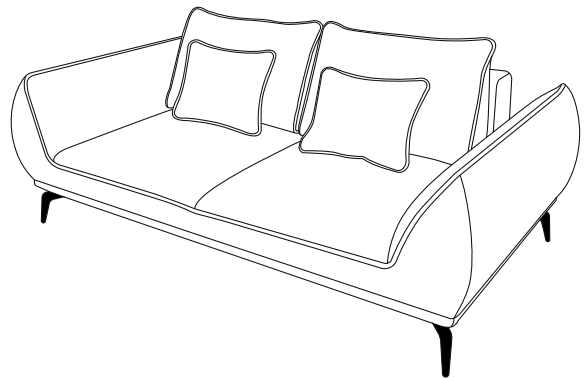
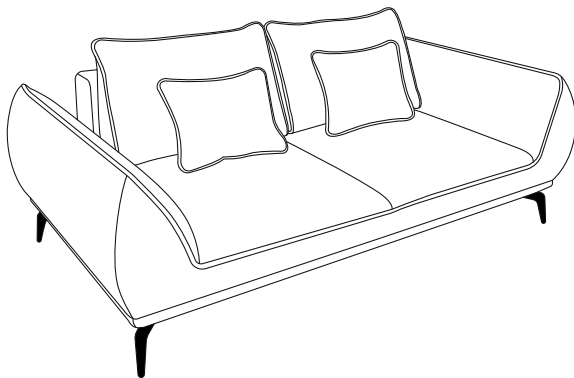
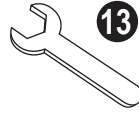
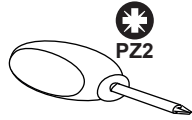
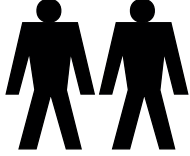
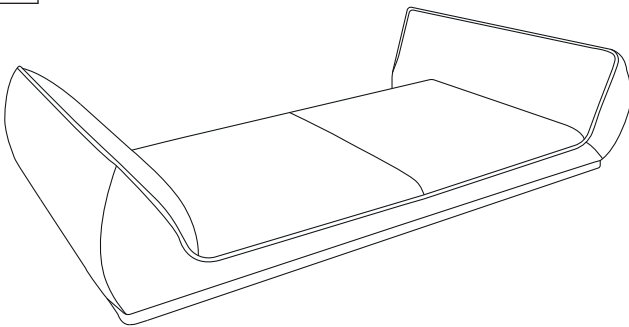


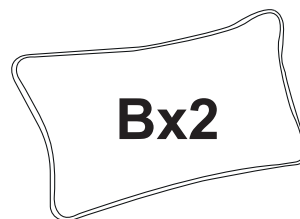
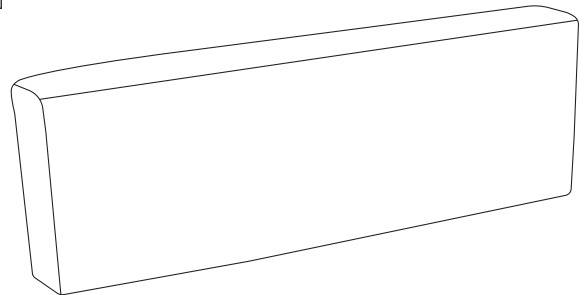
CAVO



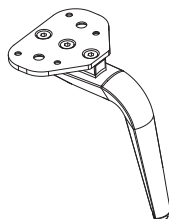
I



II

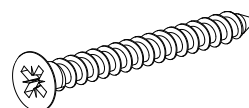


Cx4



H= 160 mm

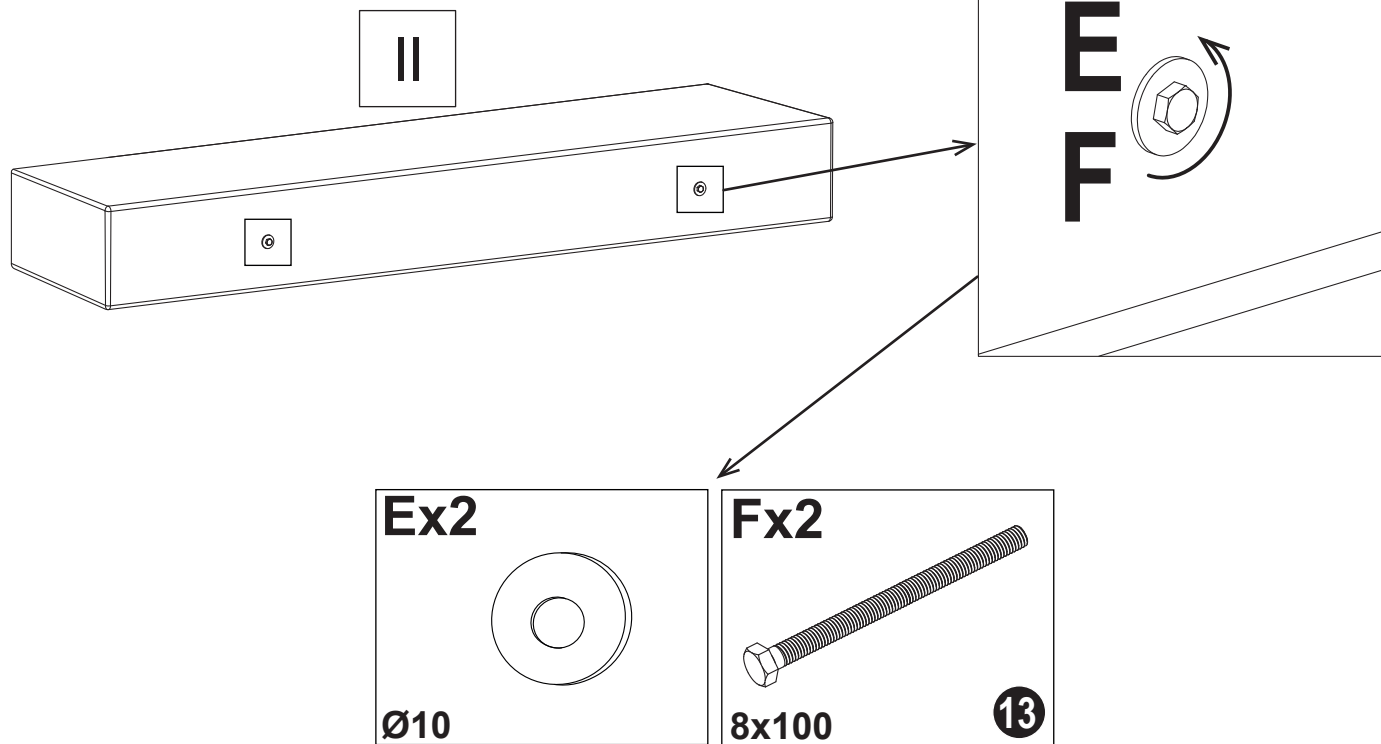
Dx16



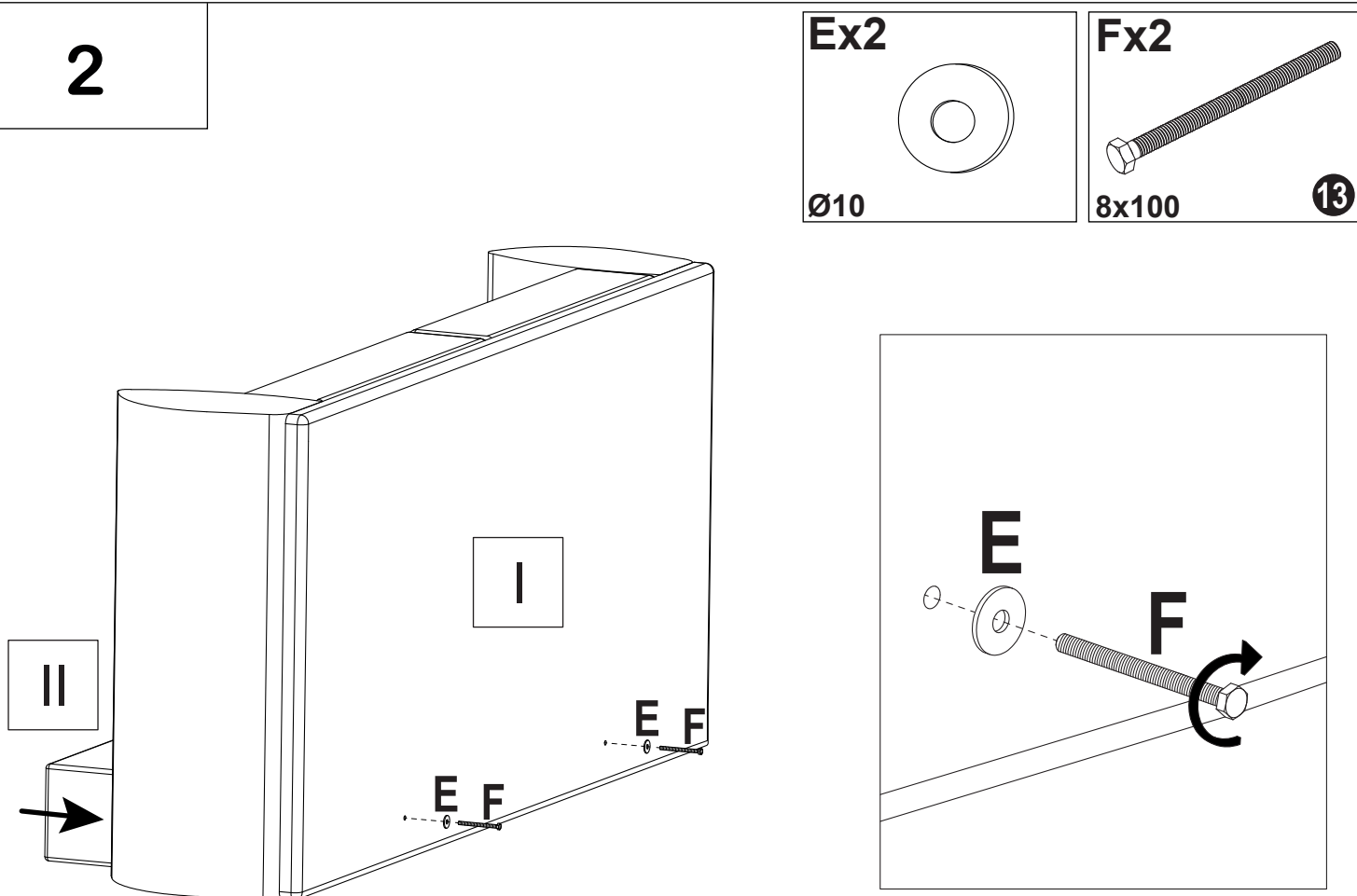
5x50



1

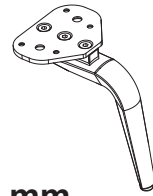


2



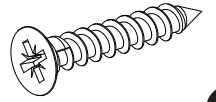
3

Cx4



H= 160 mm

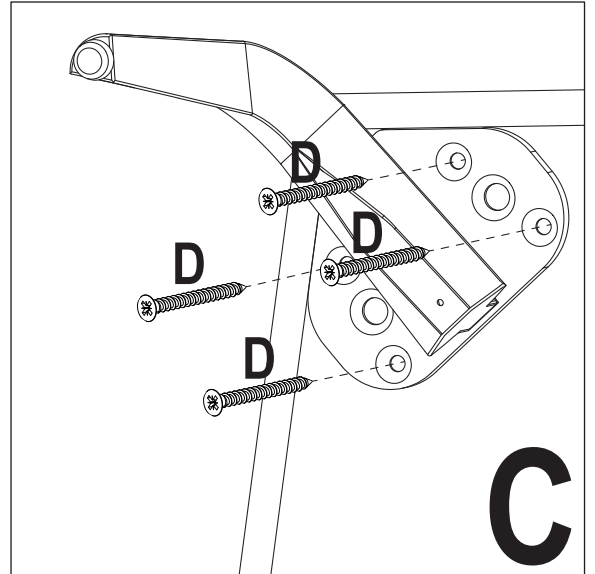
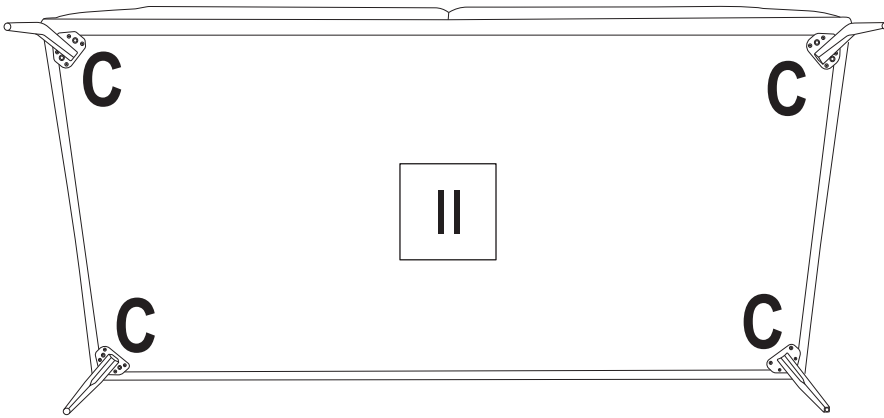
Dx16



5x50



PZ2



4

