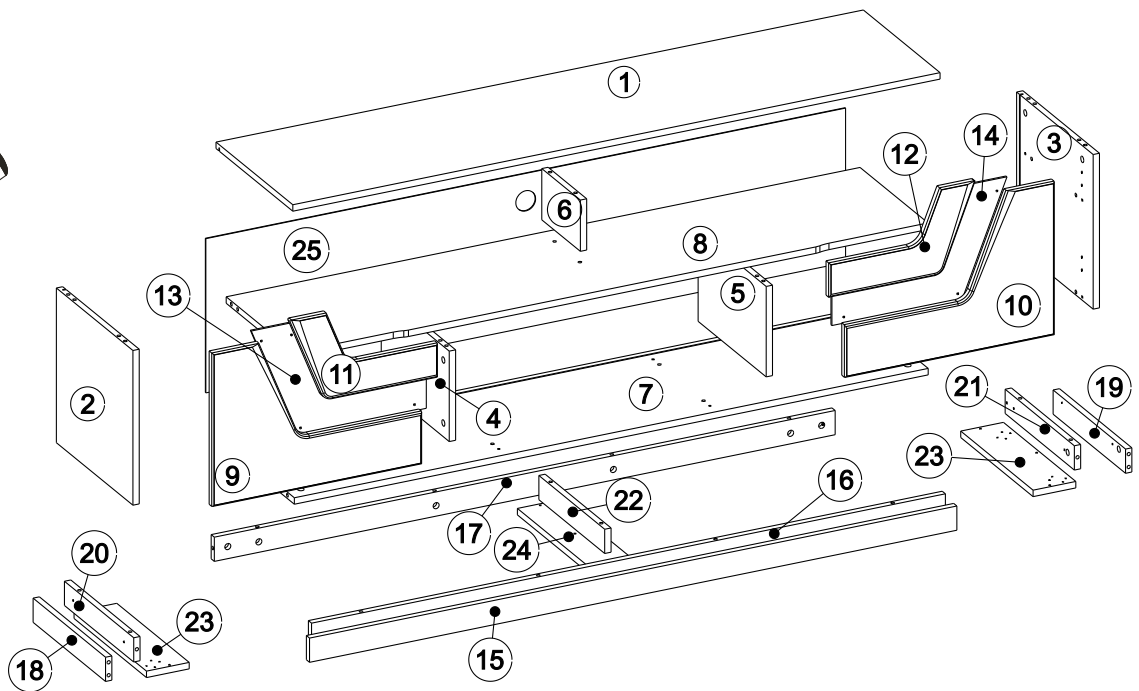
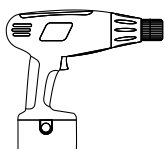
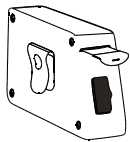
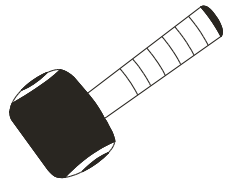
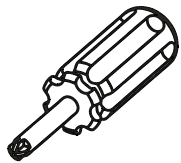
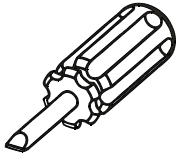
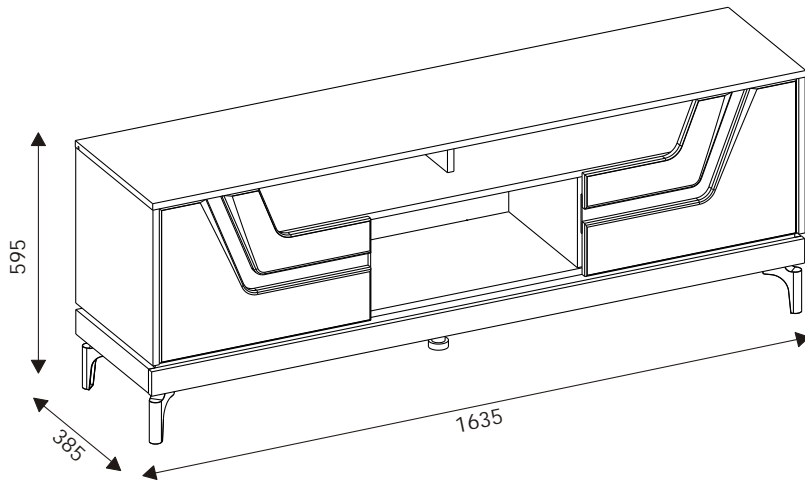
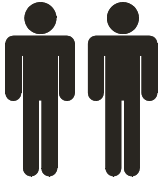
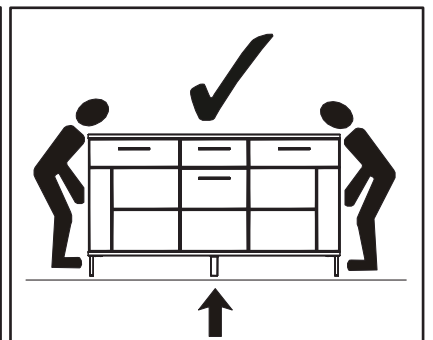
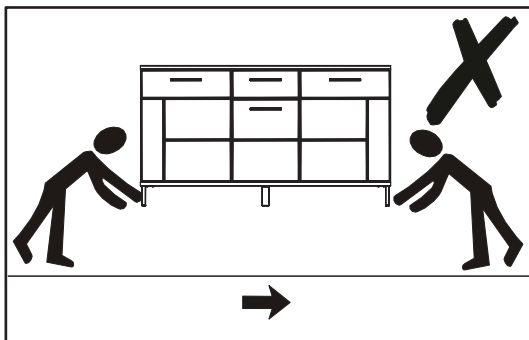
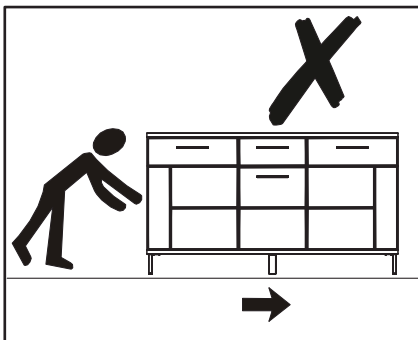
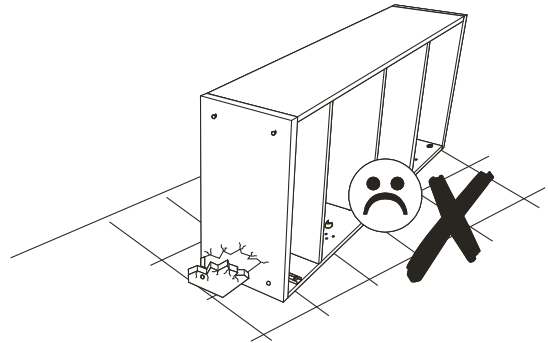
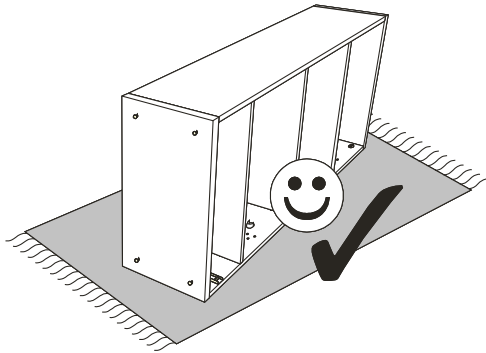
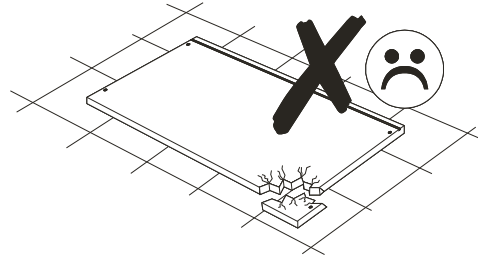
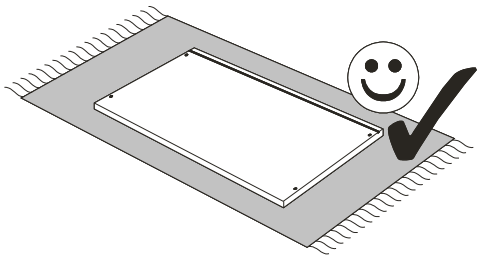
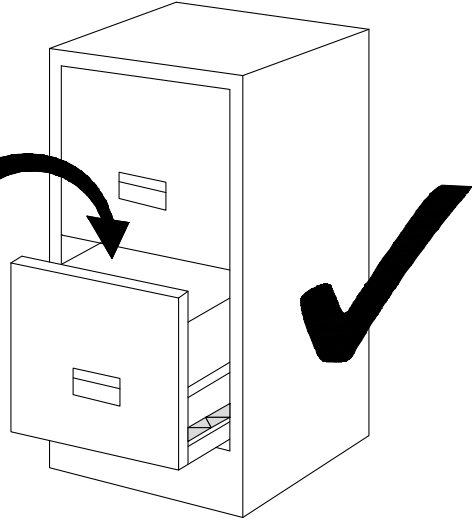
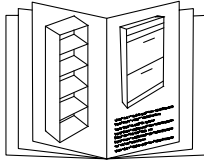
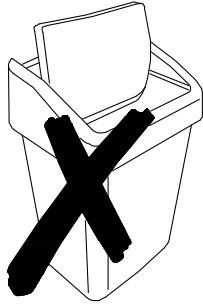


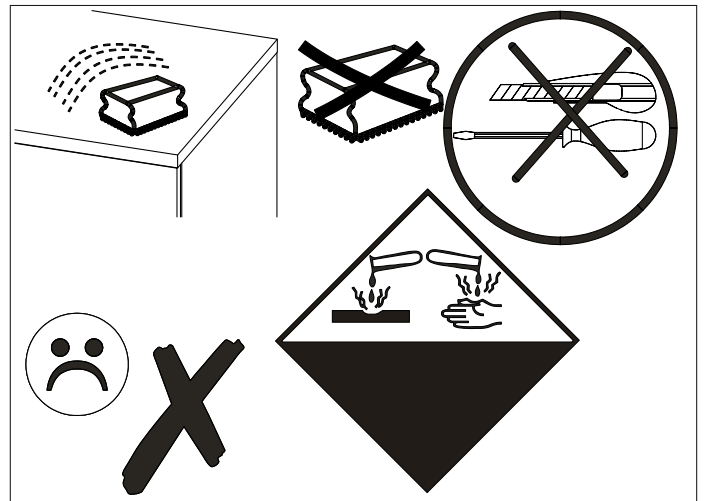
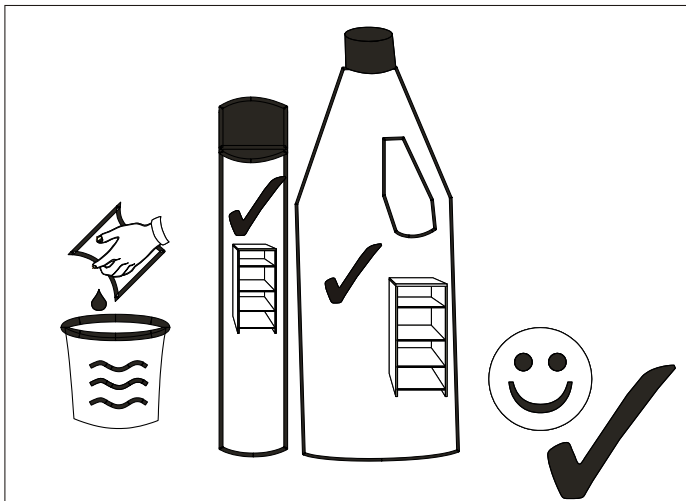
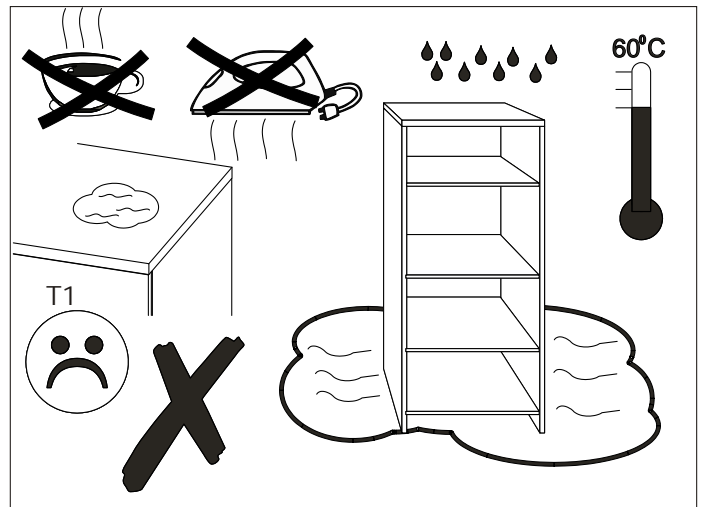
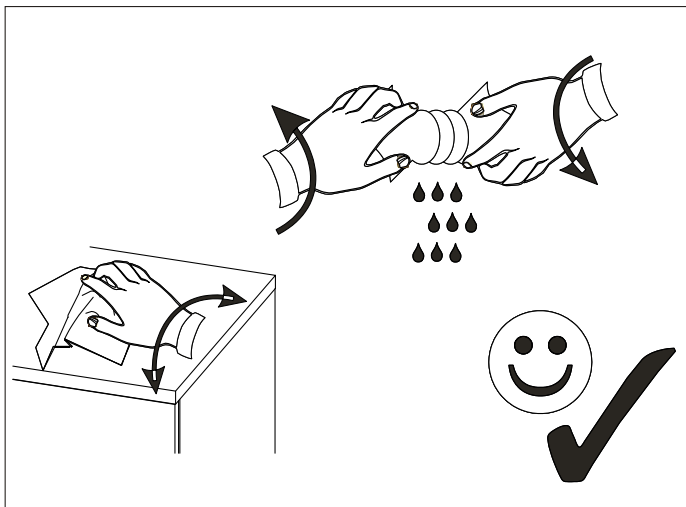
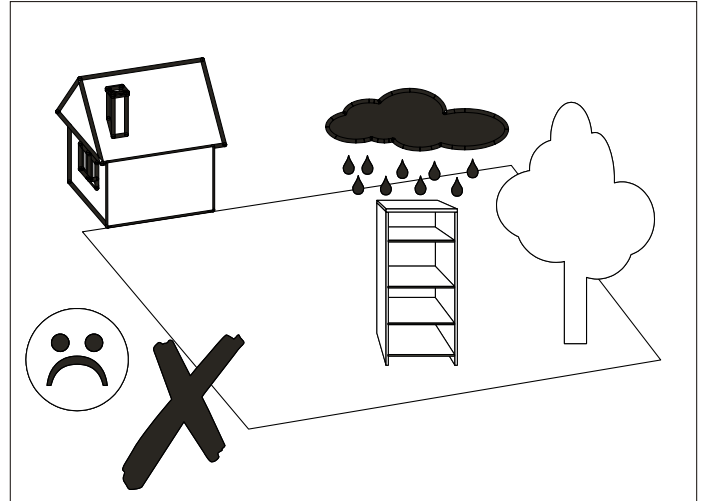
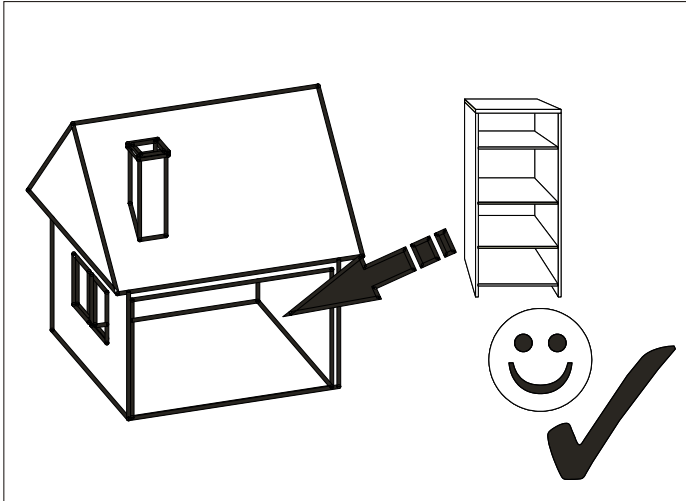
# MODELL: VRO1



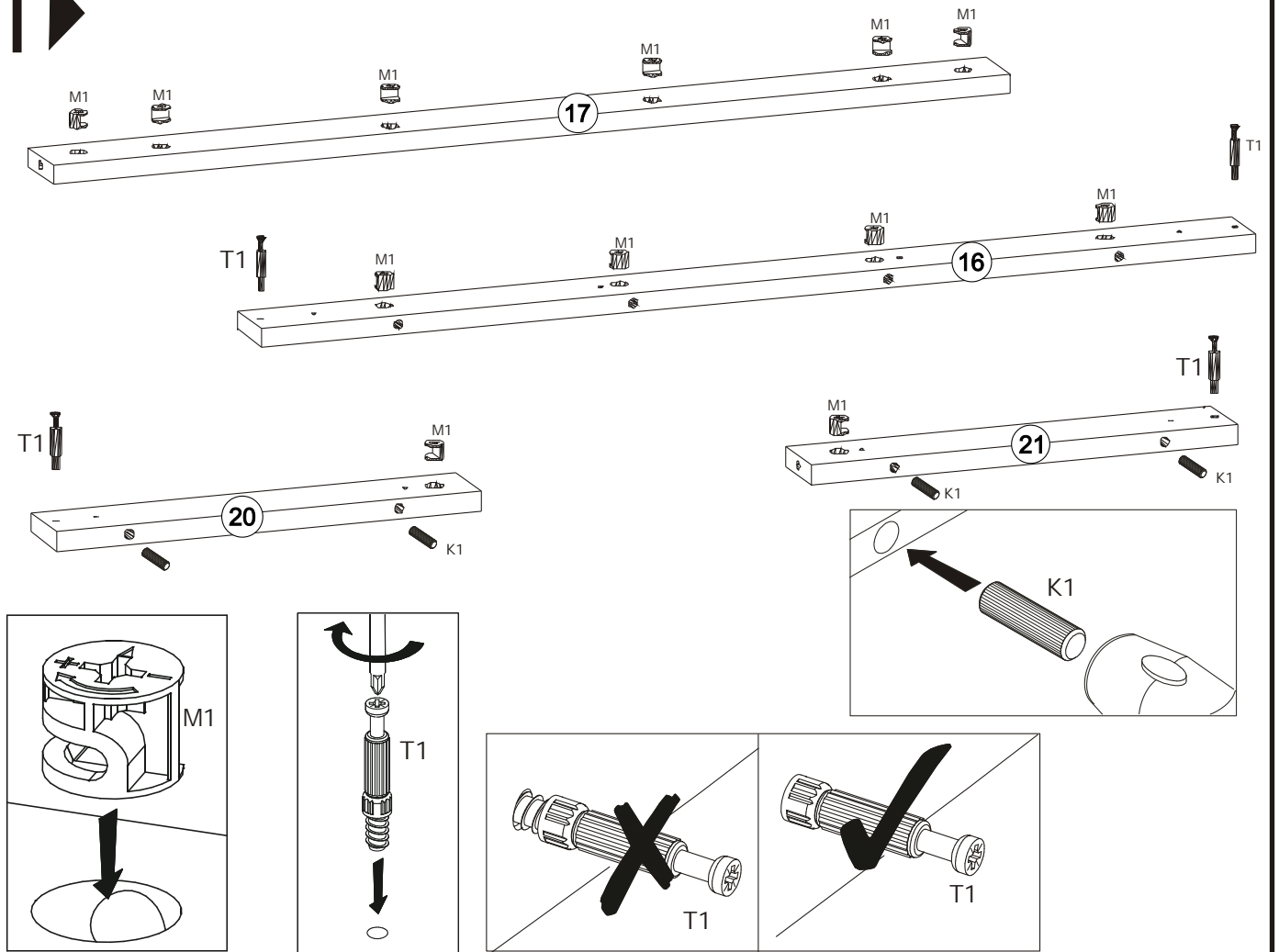
7	1602x367	1/3	14	442 x280	3/3	21	350x60	1/3	25	382x1617	1/3
6	127x195	2/3	13	442 x280	3/3	20	350x60	1/3	24	366x108	2/3
5	224x344	2/3	12	372x215	3/3	19	366x60	1/3	23	366x108	2/3
4	224x344	2/3	11	372x215	3/3	18	366x60	1/3	22	333x60	1/3
3	383x384	2/3	10	530x380	3/3	17	1569x60	1/3			
2	383x384	2/3	9	530x380	3/3	16	1602x60	1/3			
1	1636x385	1/3	8	1602x349	1/3	15	1636x60	1/3			

20x #20/863 ZN1	12x 3.5x16 W3	10x ST1	10x 3x20 W9	12x 3.5x16 W6					
4x ZC90	32x 8x30 K1	17x 4x30 W4	1x N2	34x #15/15 M1	34x DU232T T1	16x 4x25 W8	14x 2x20 G1	4x N1	

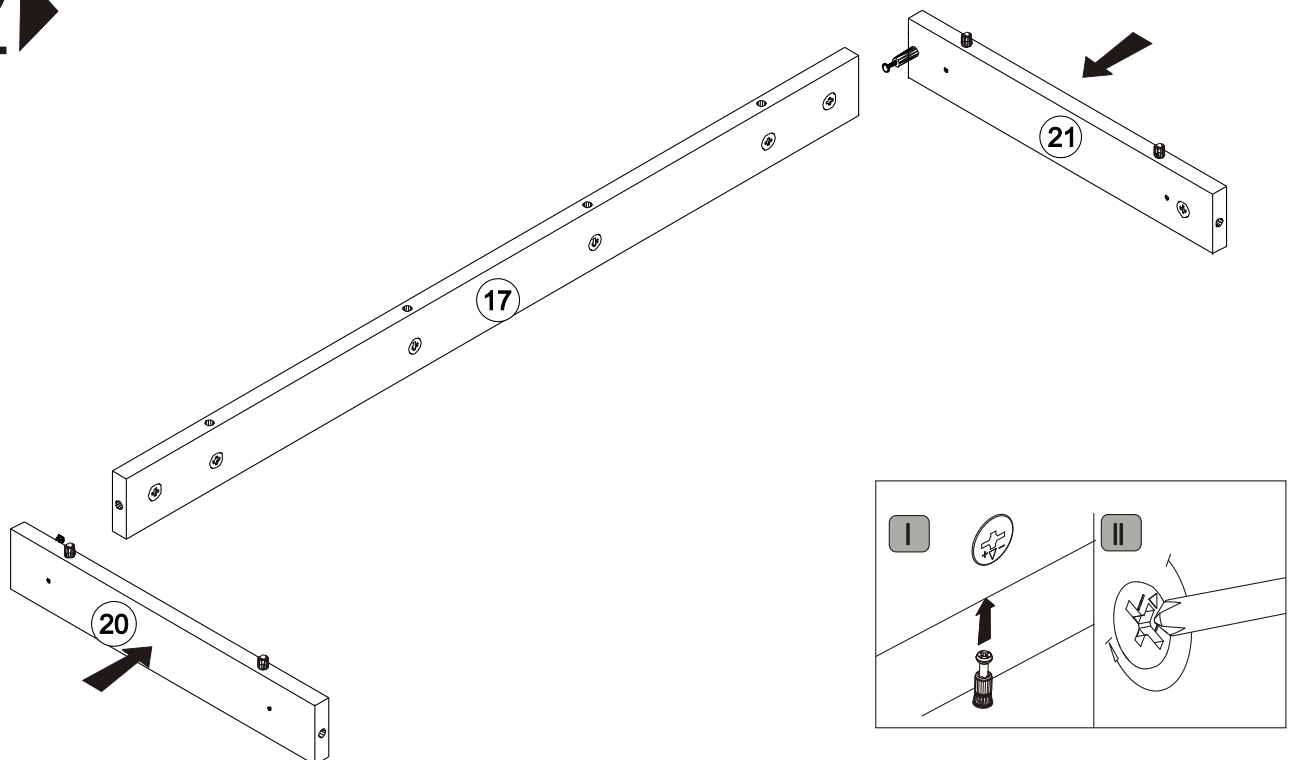




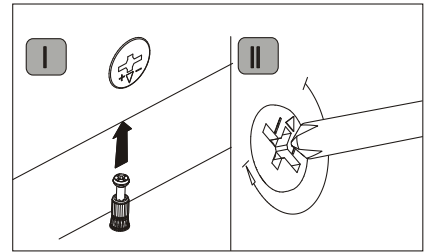
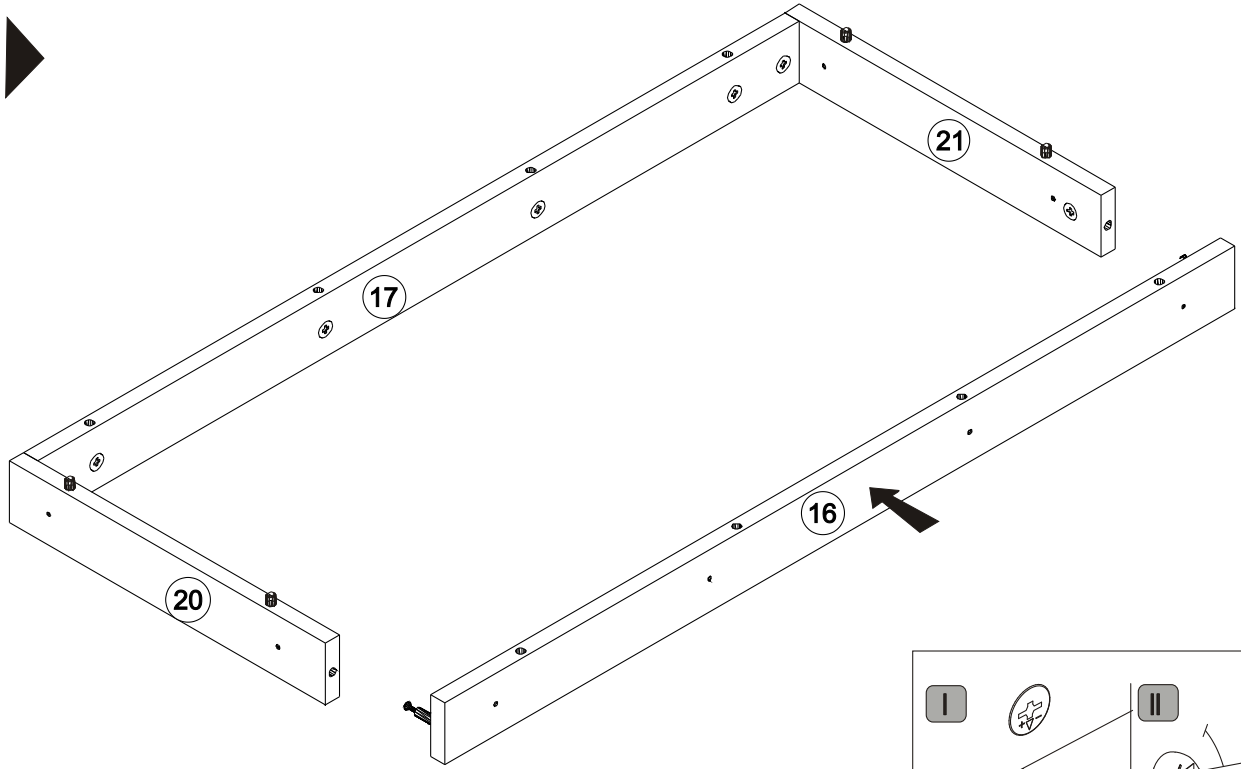
1 ▶



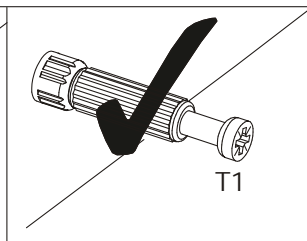
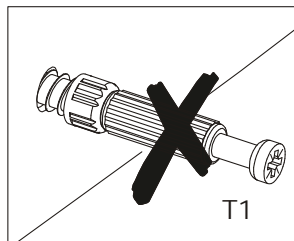
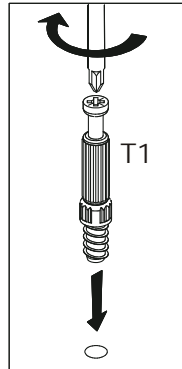
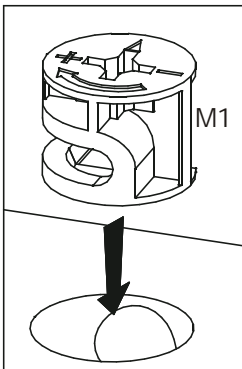
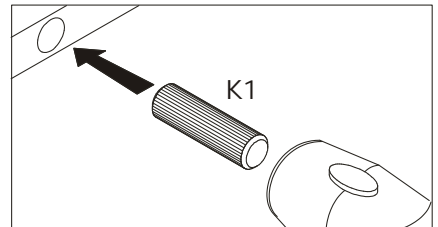
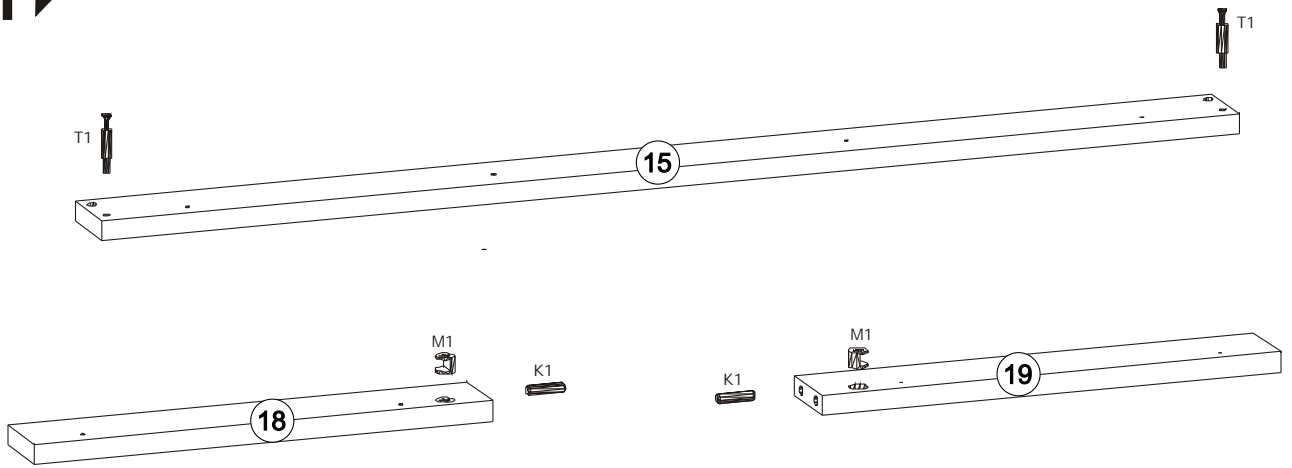
2 ▶



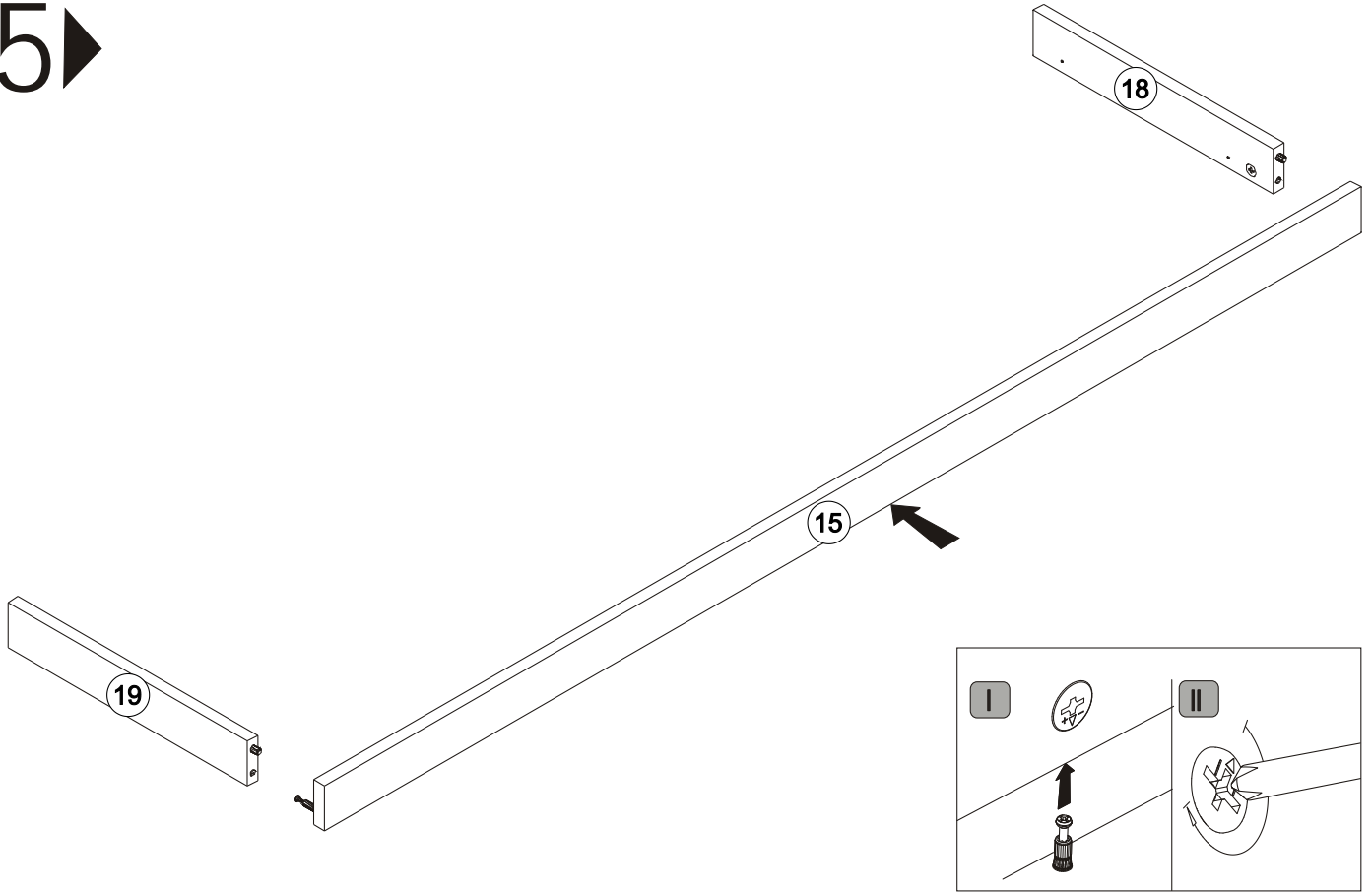
3



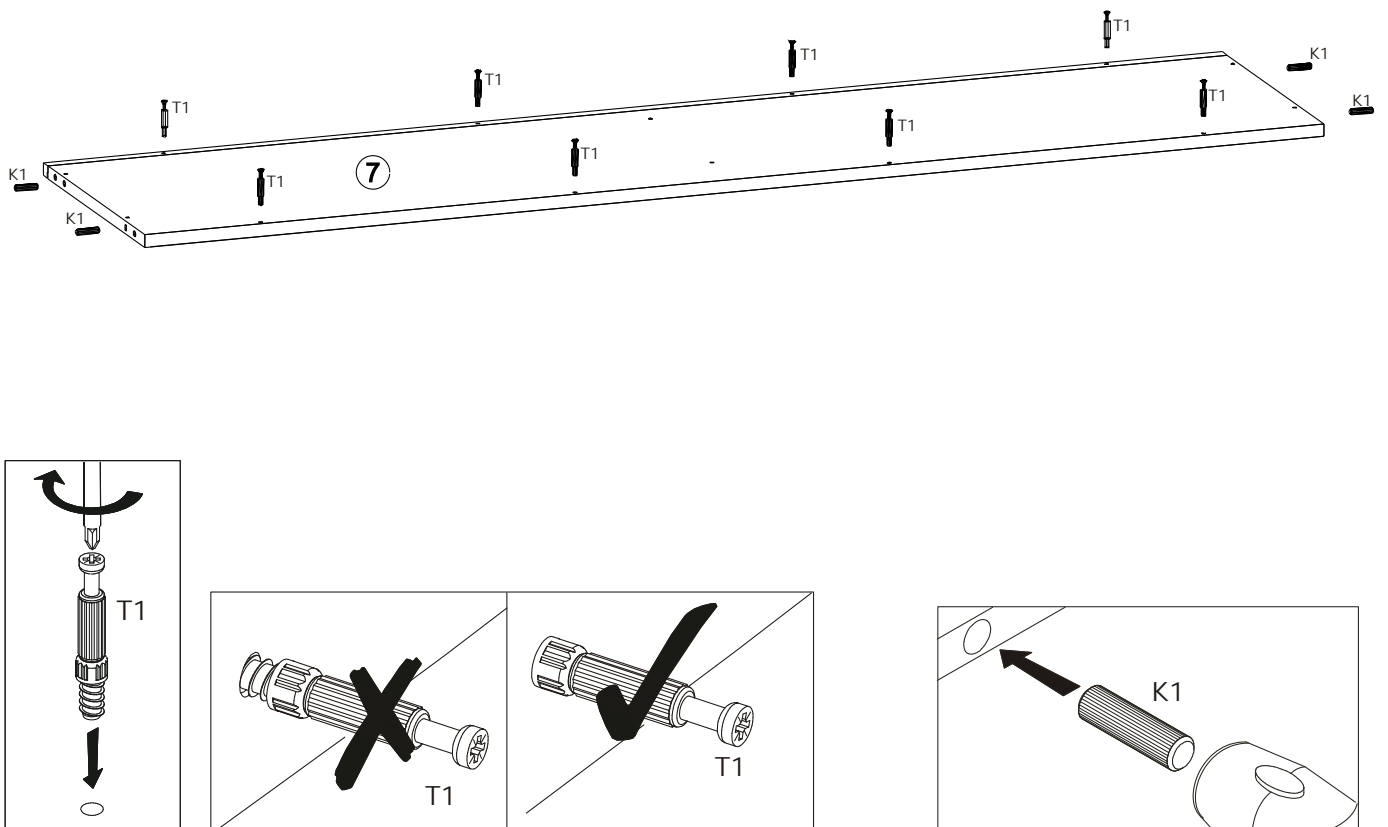
4



5 ▶

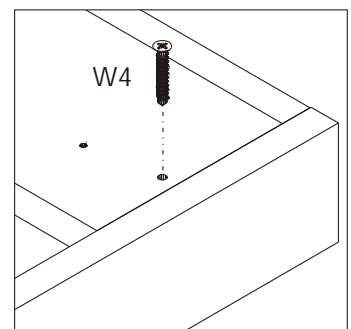
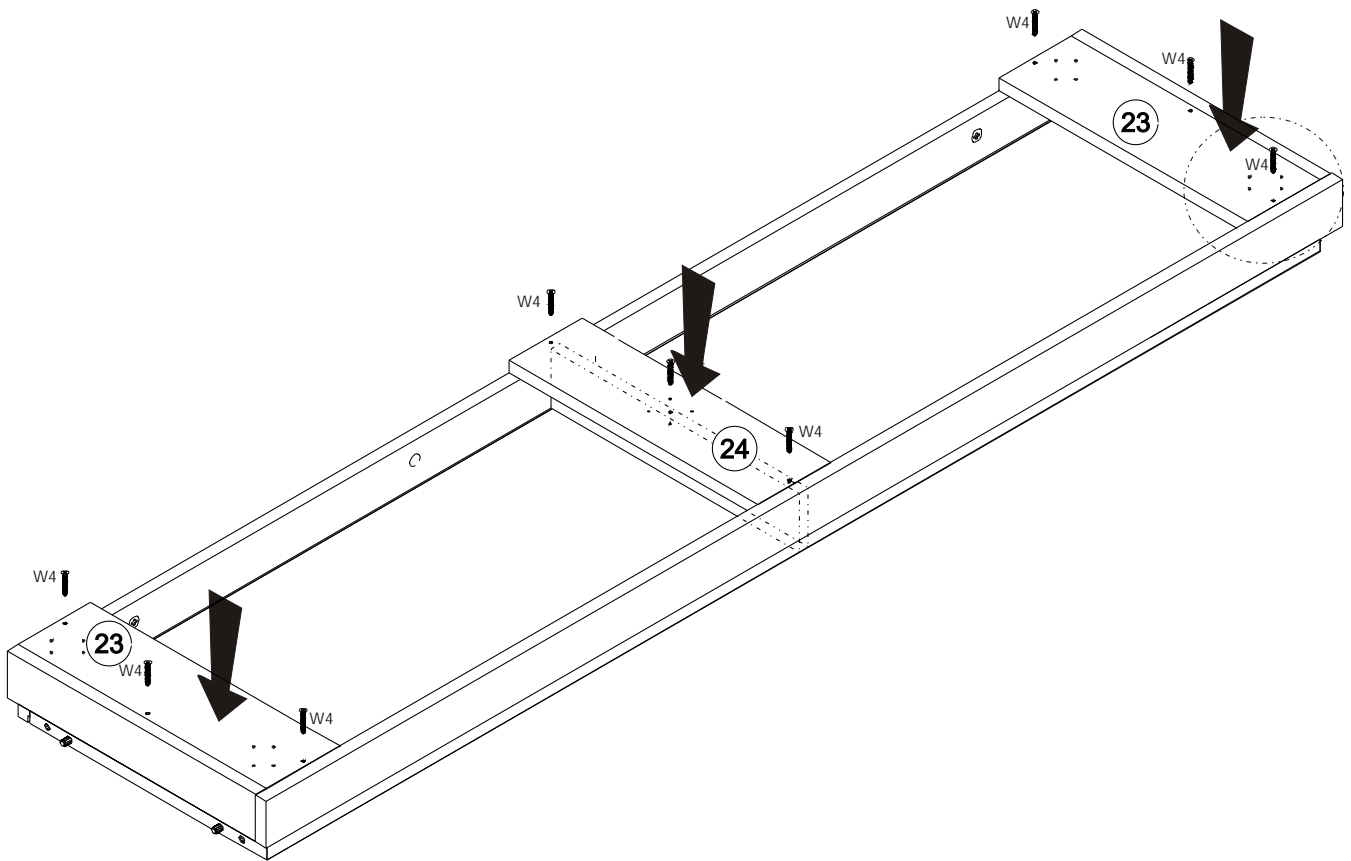


6 ▶

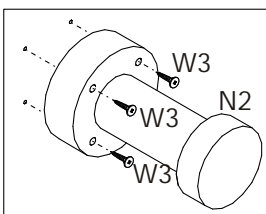
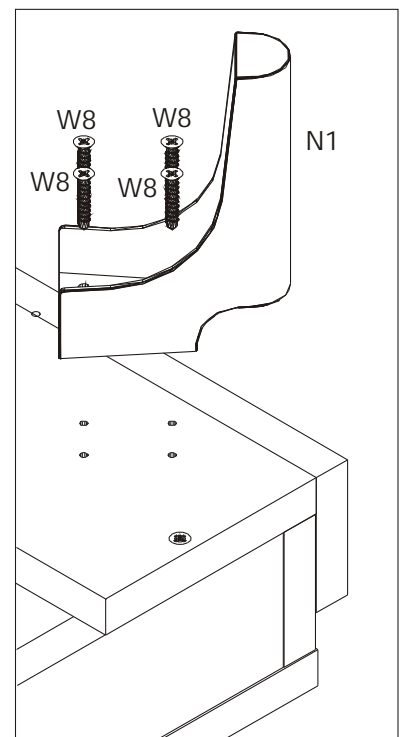
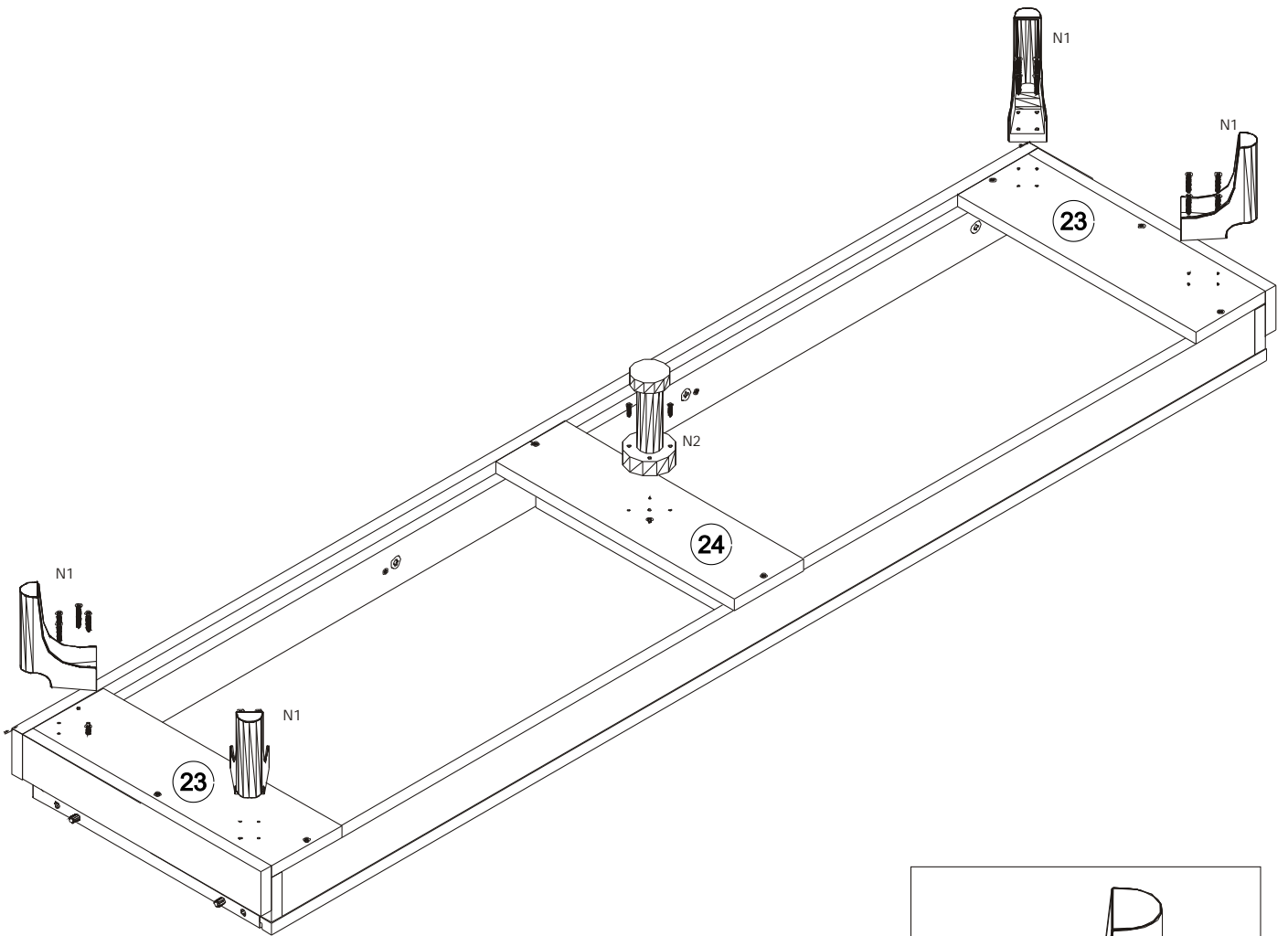




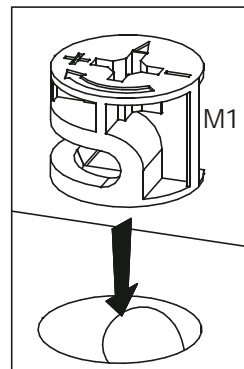
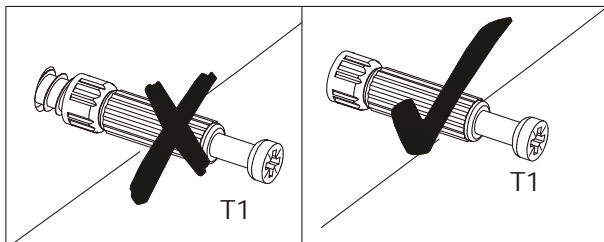
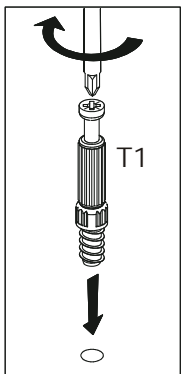
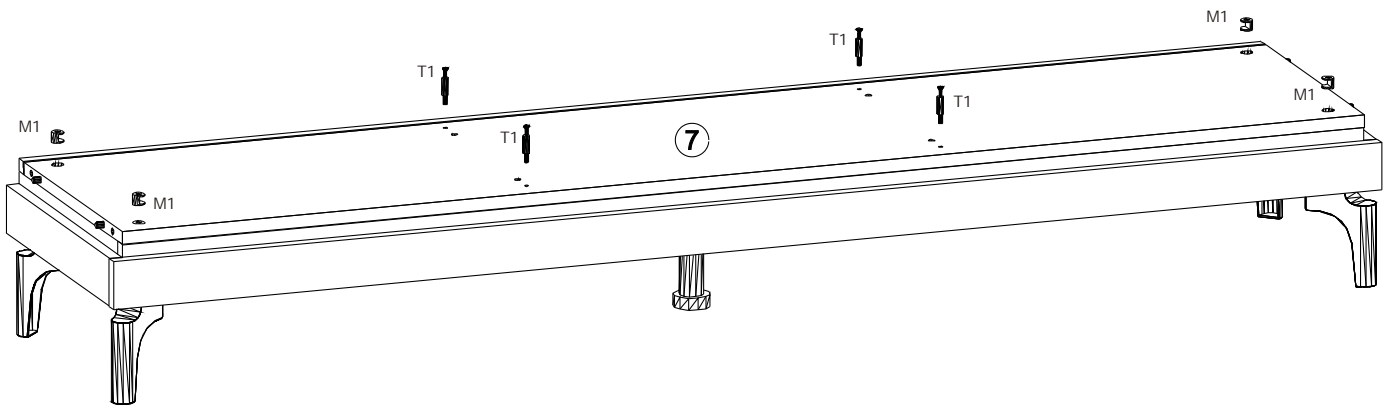
10▶



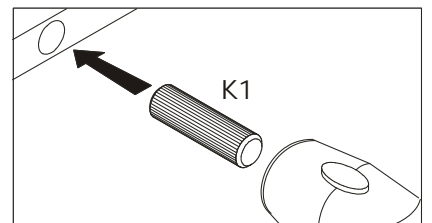
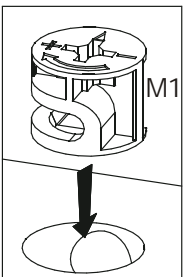
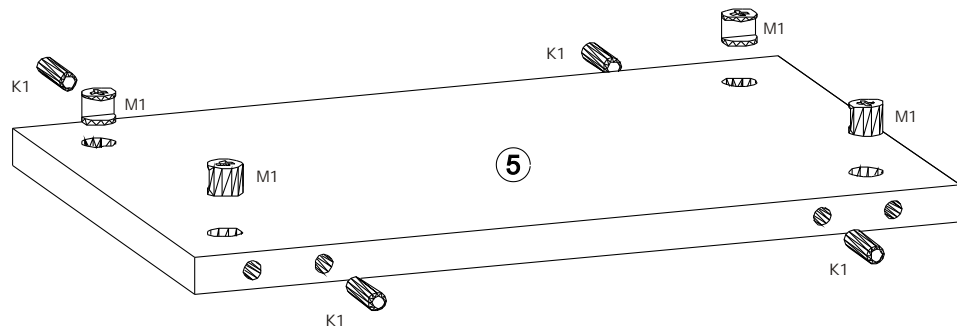
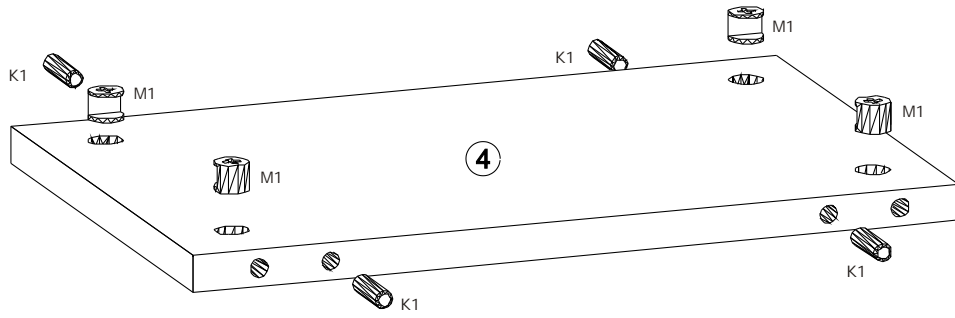




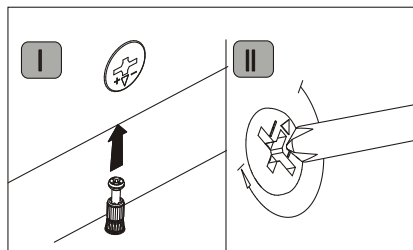
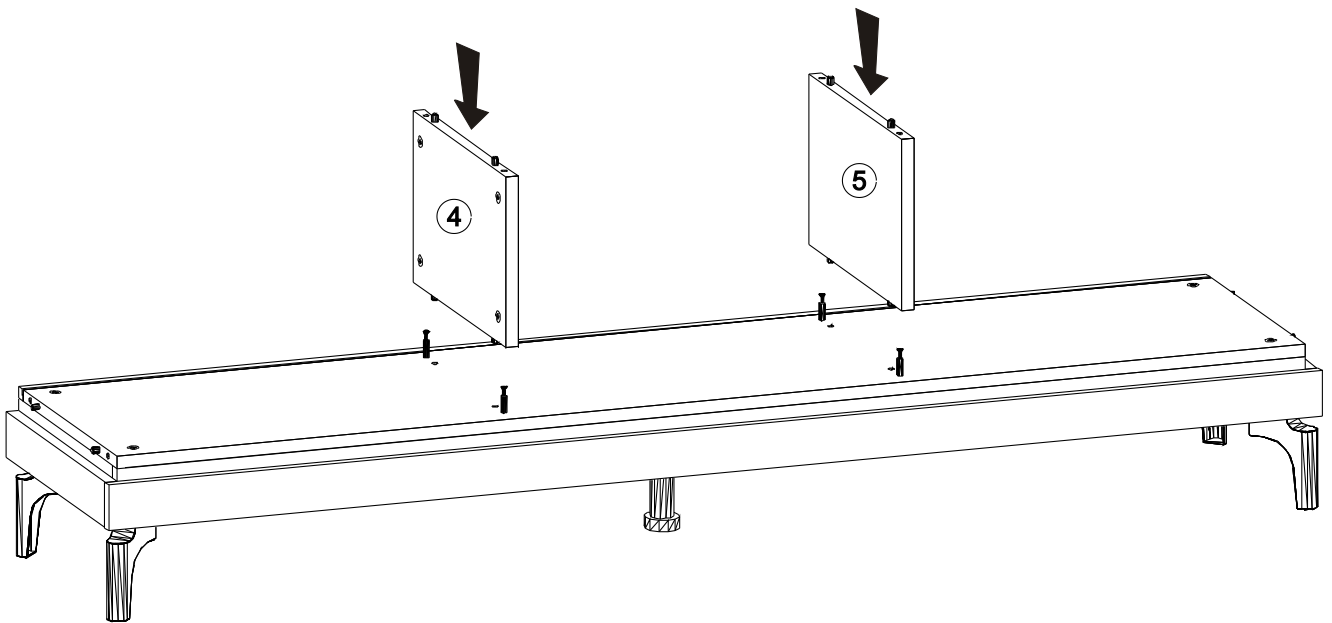
# 12 ▶



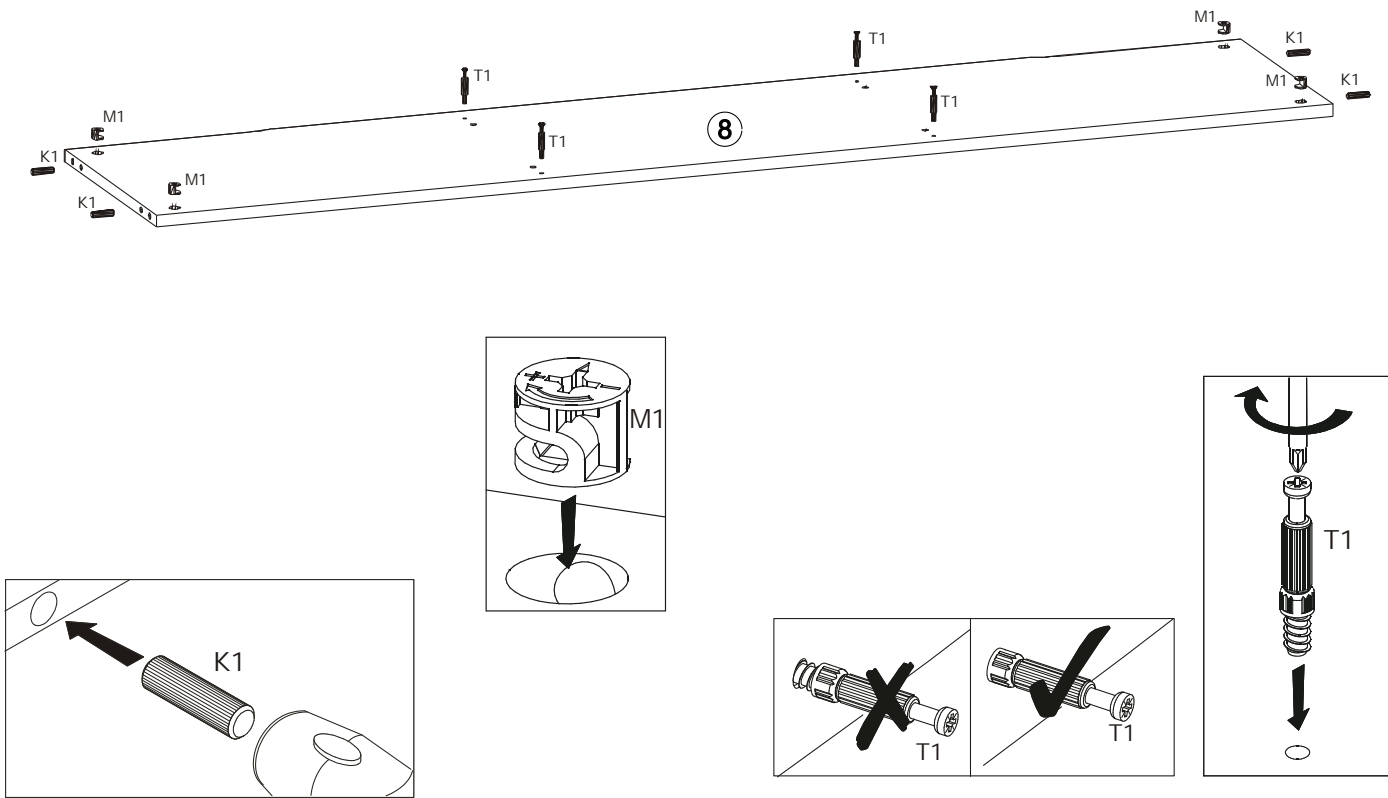
# 13▶



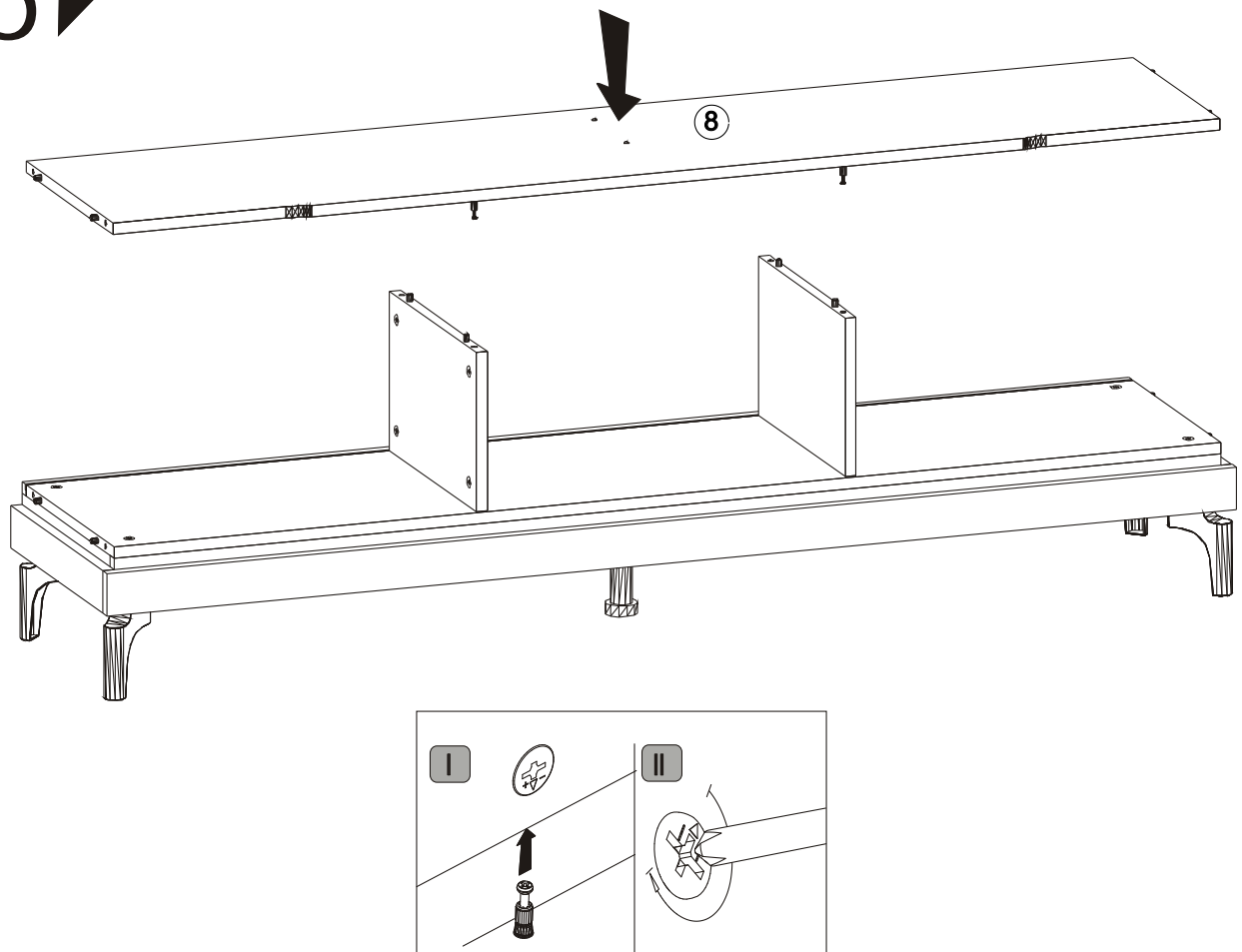
14 ▶



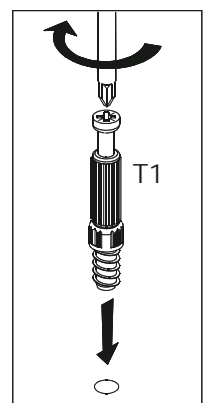
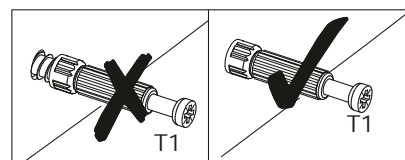
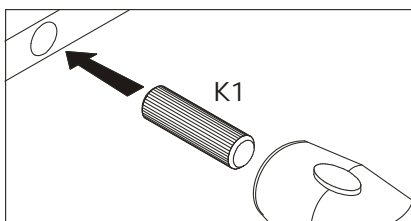
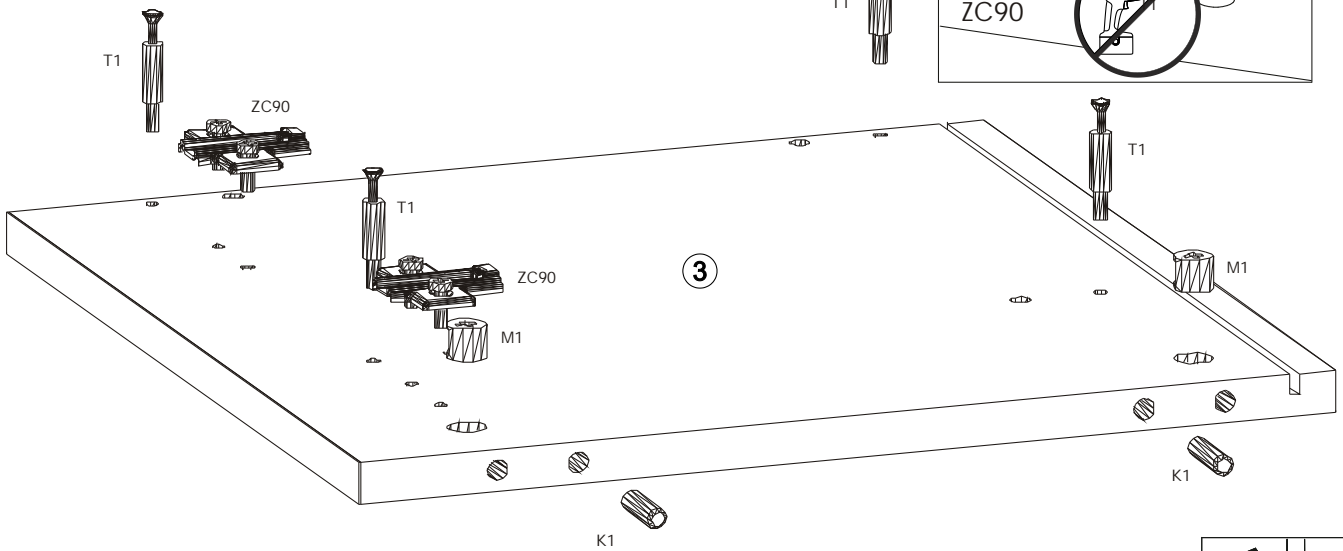
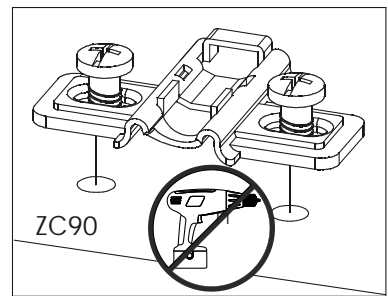
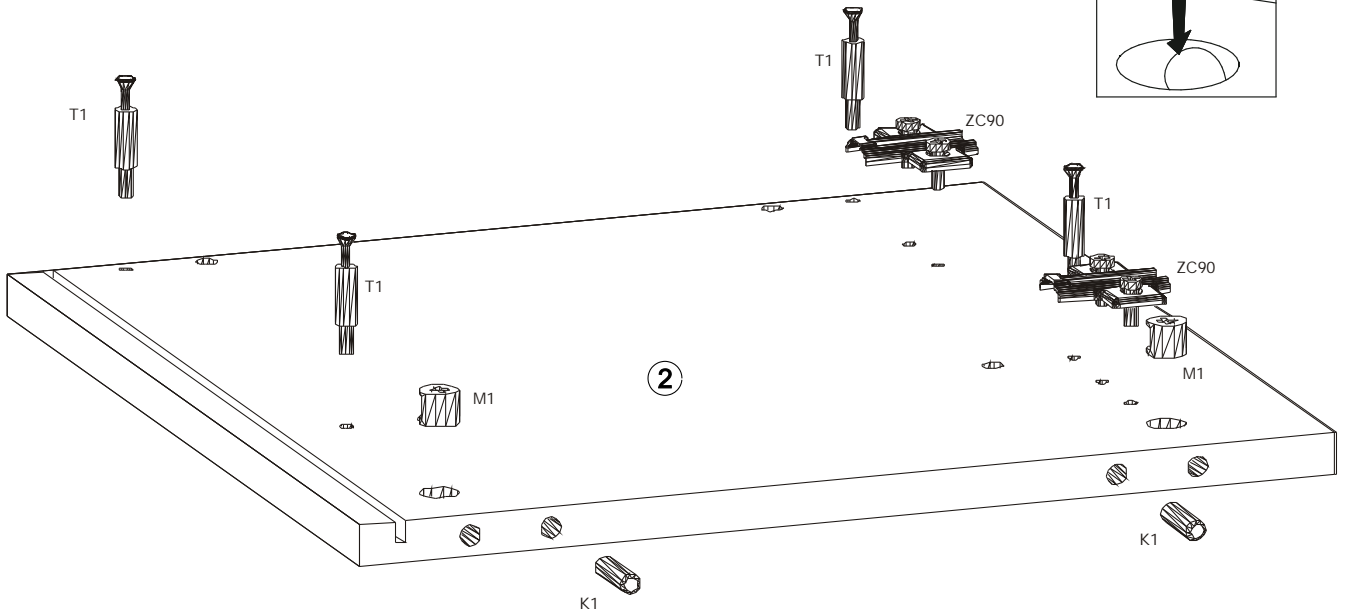
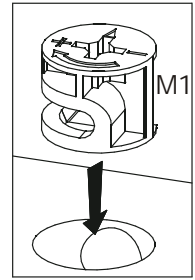
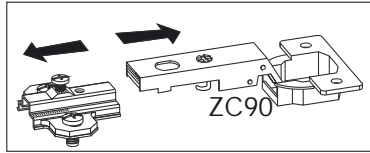
# 15 ▶



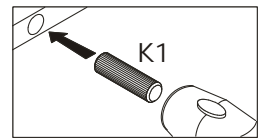
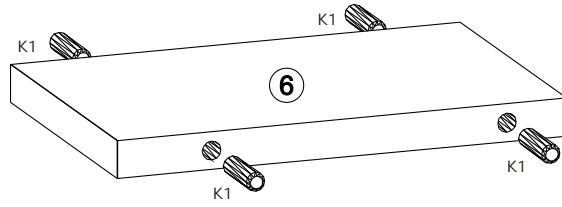
# 16 ▶



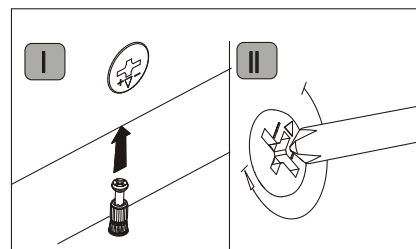
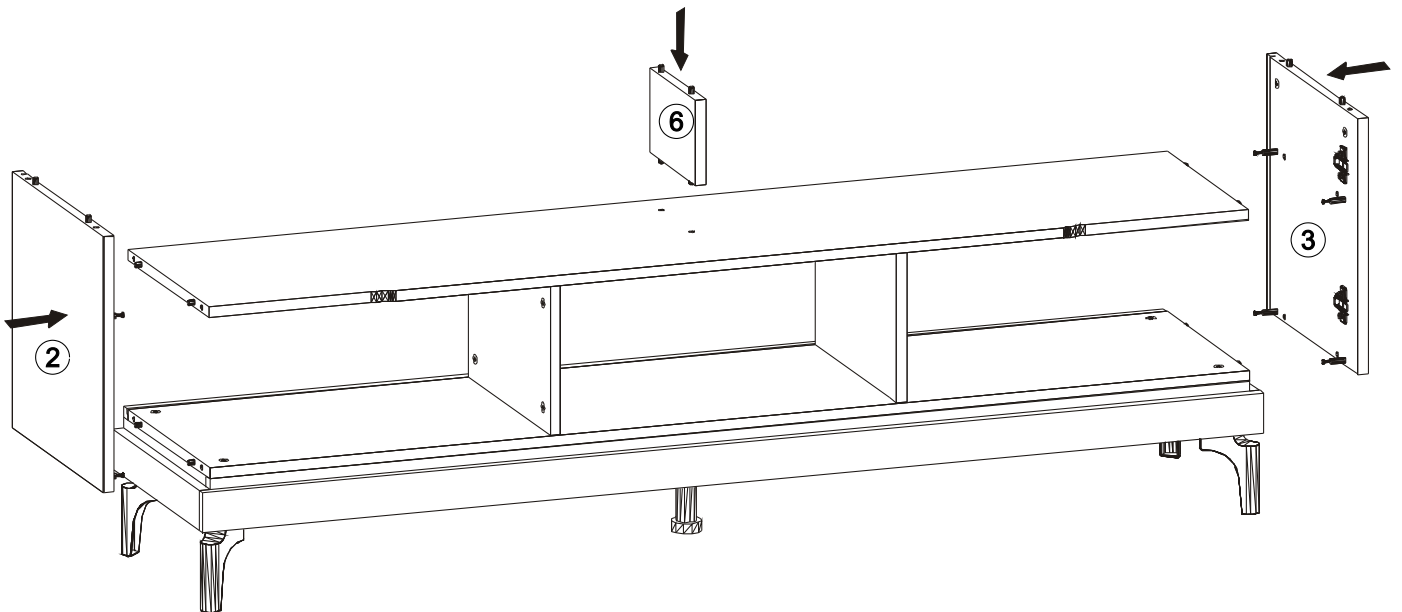
17 ▶



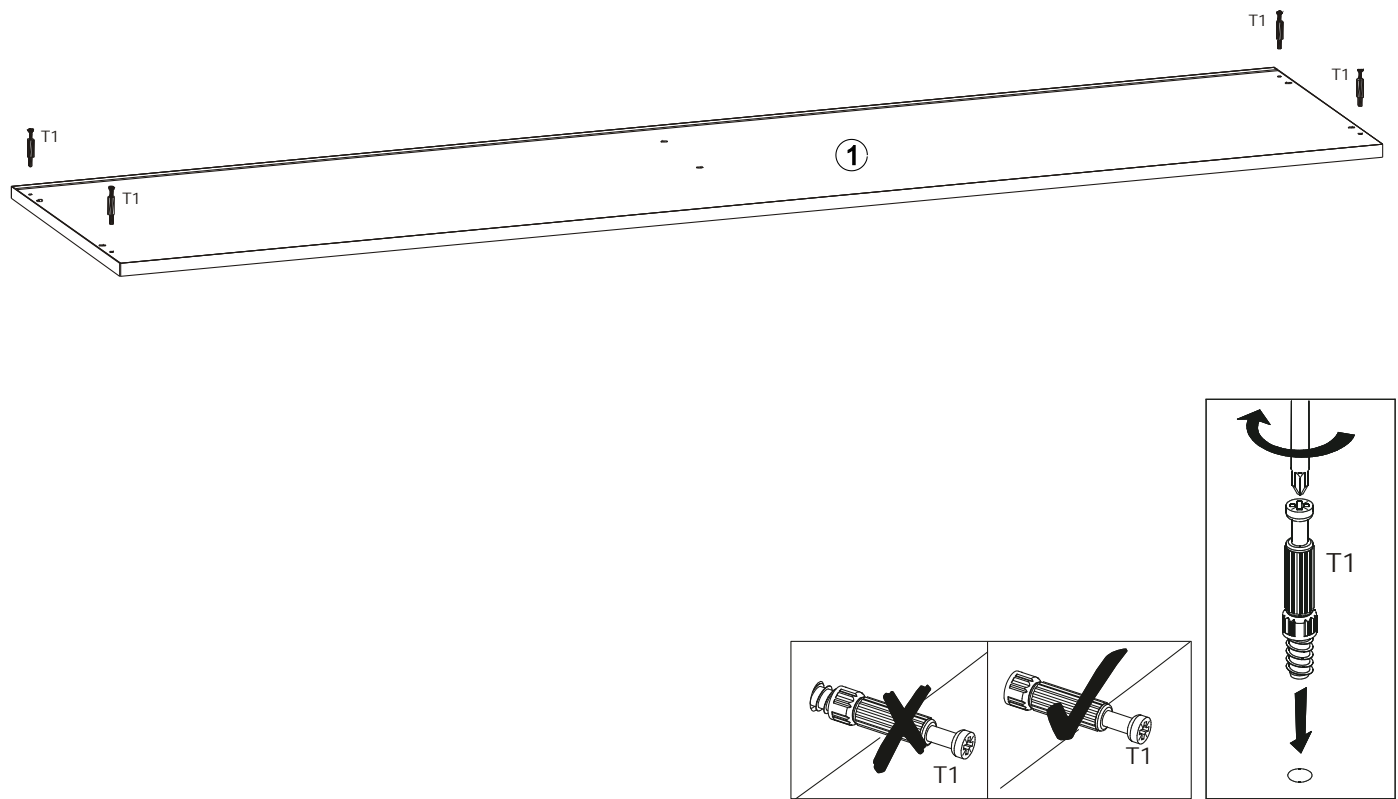
# 18 ▶



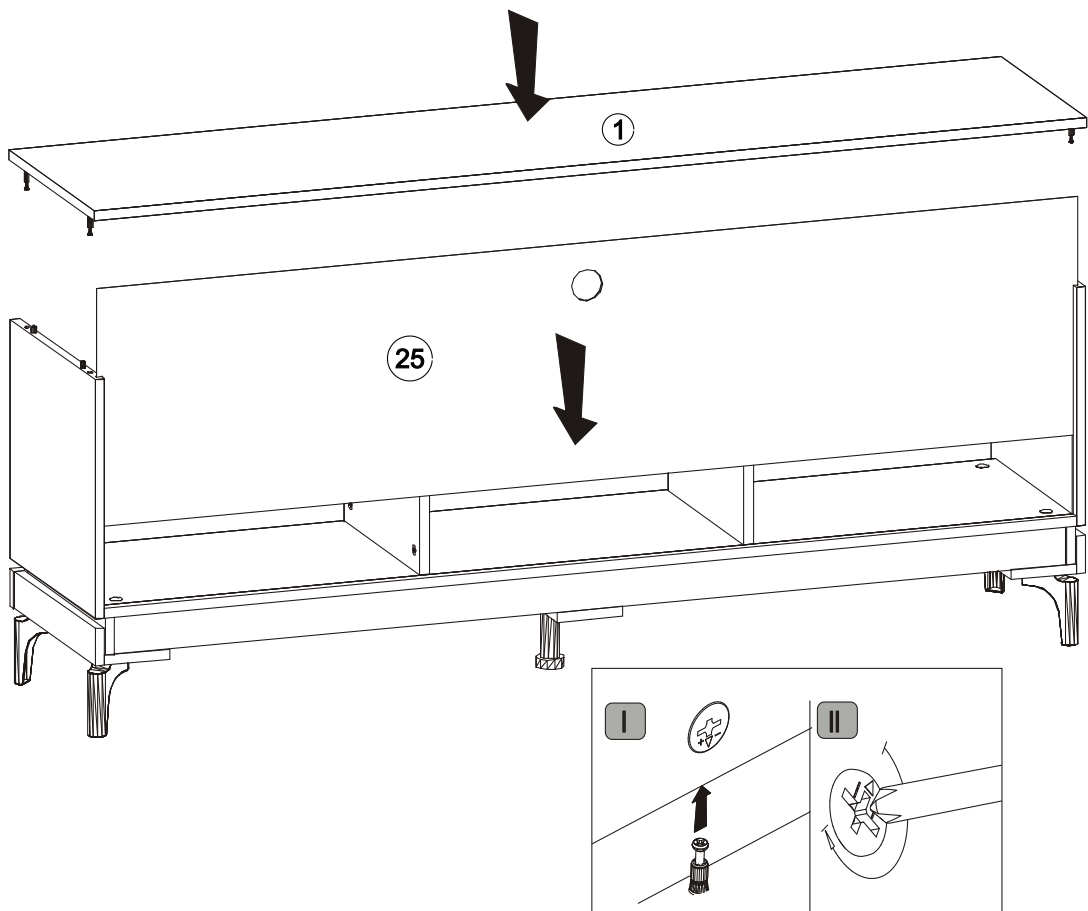
# 19 ▶



# 20▶

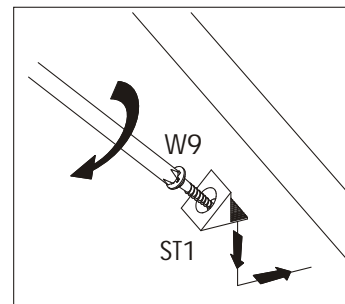
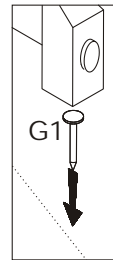
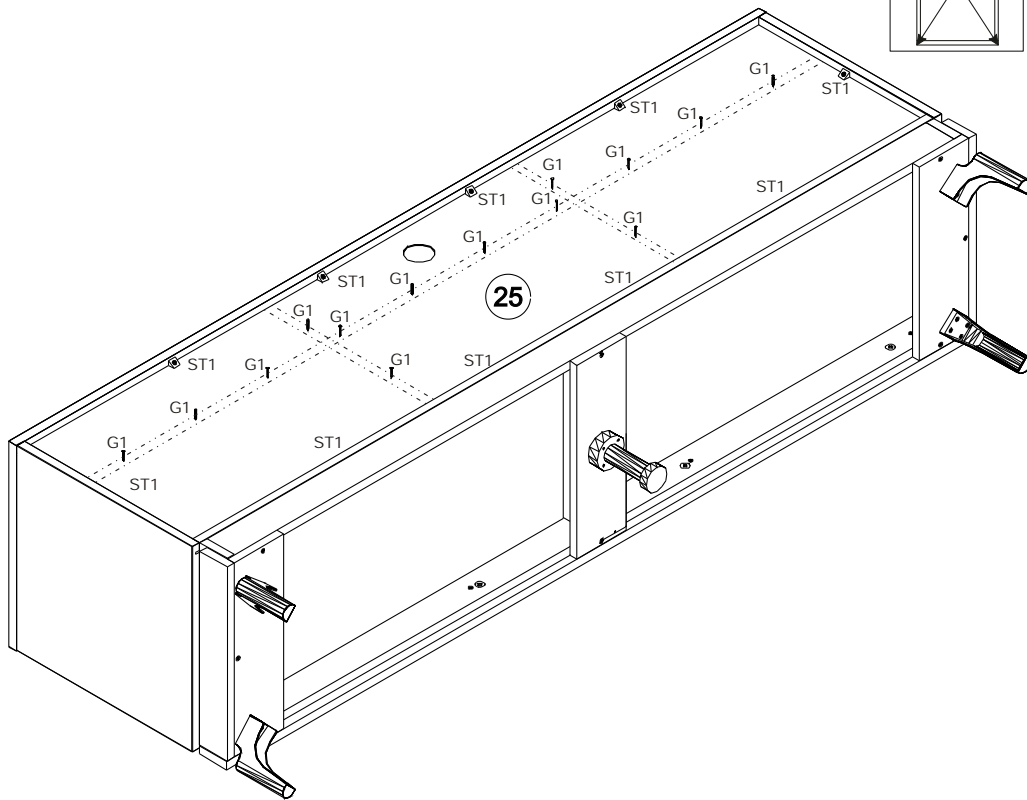
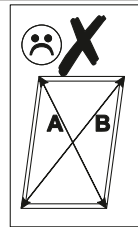
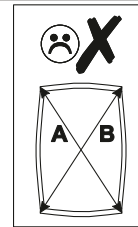
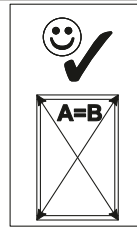


# 21▶

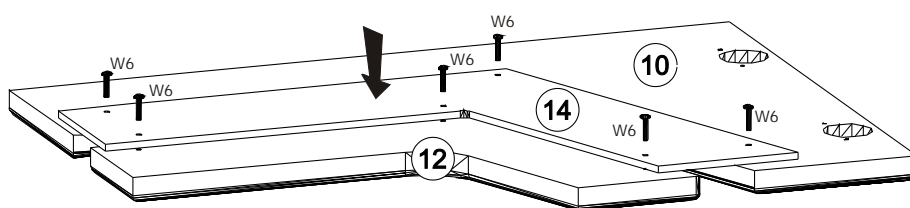
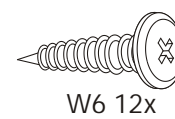
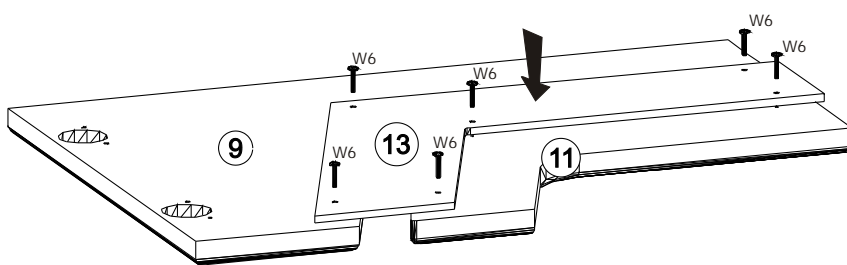




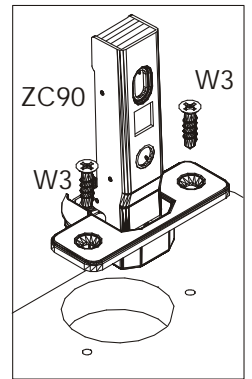
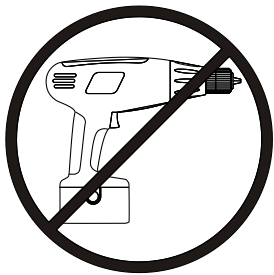
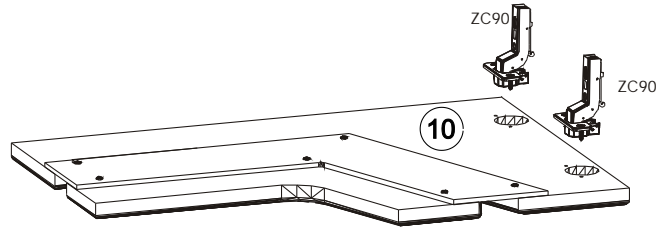
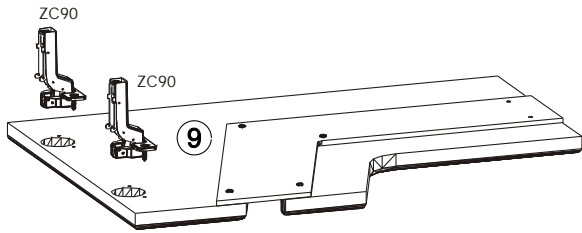
# 22 ▶



# 23 ▶



# 24 ▶



# 25 ▶

