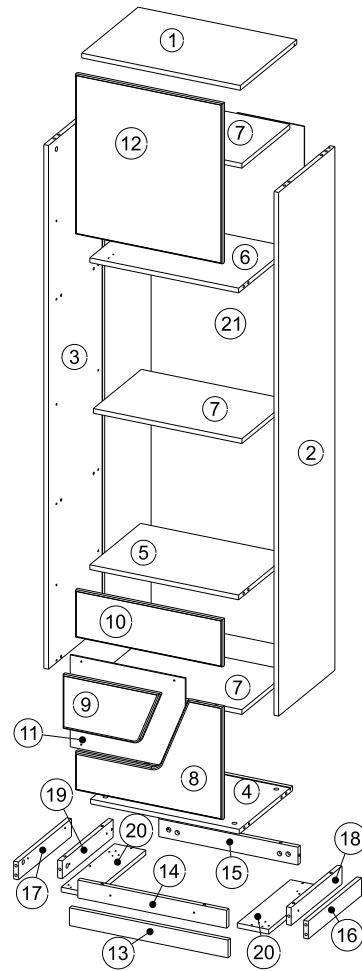
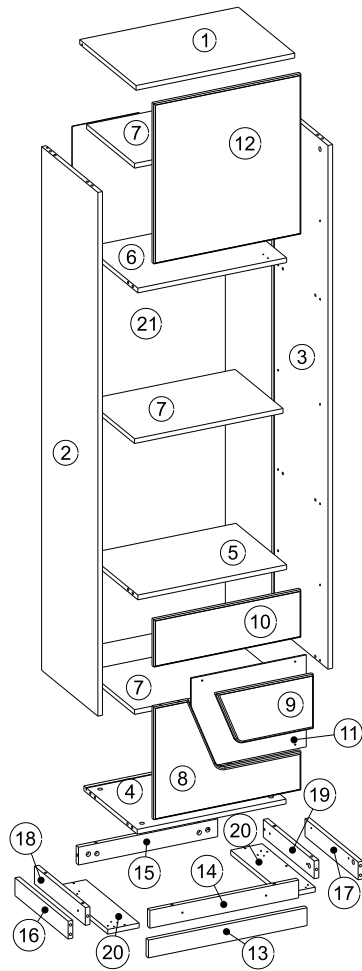
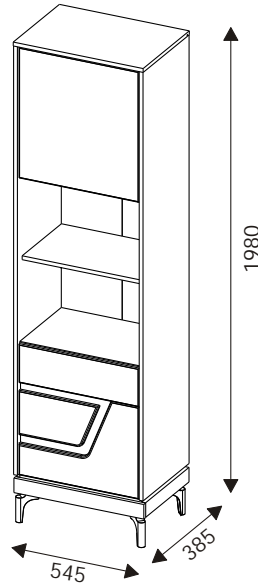
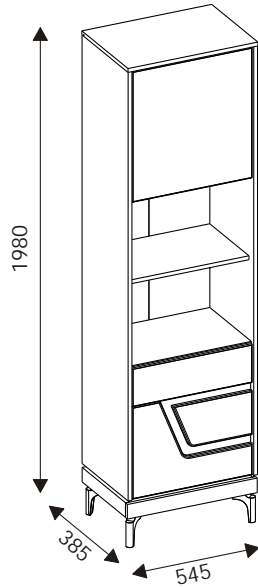
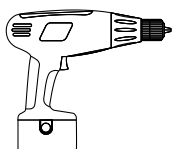
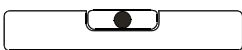
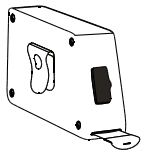
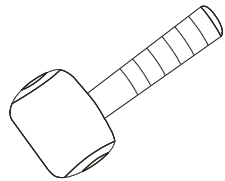
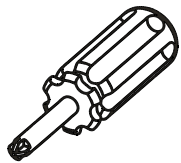
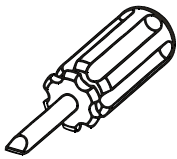
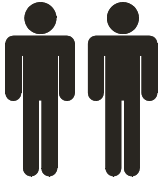


MODELL: VR07; VR08

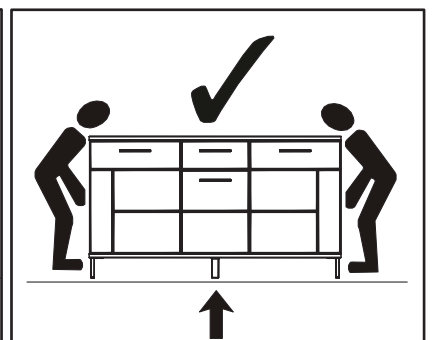
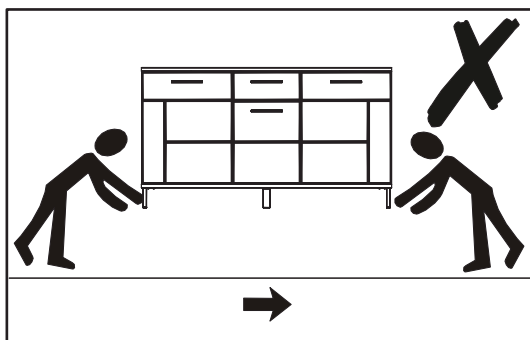
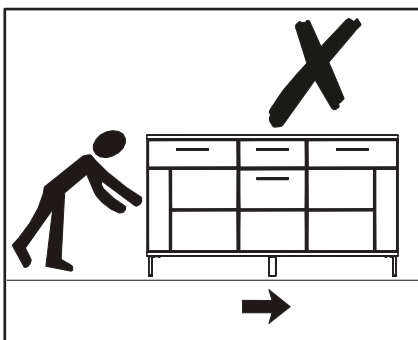
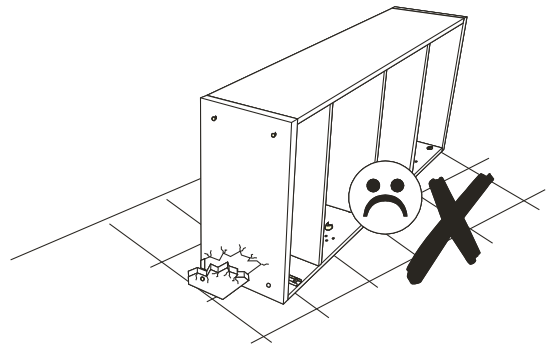
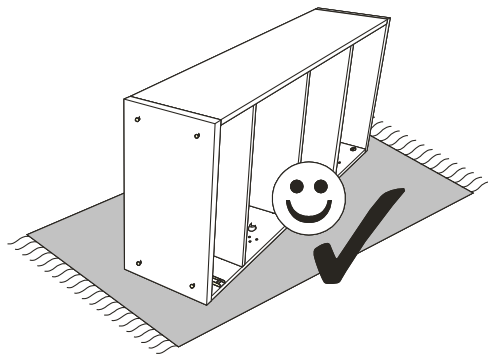
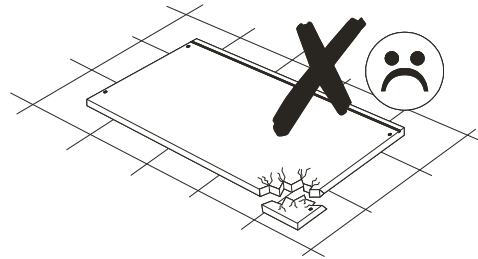
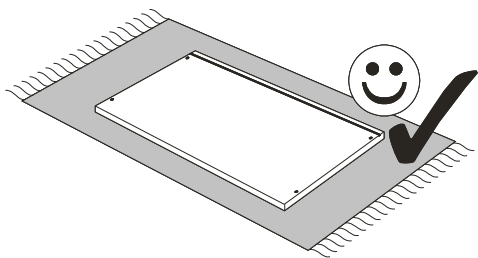
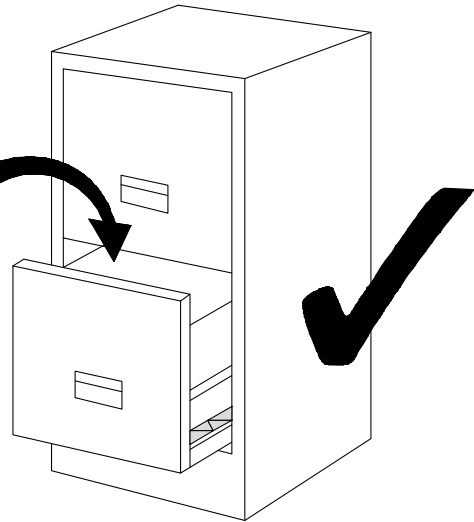
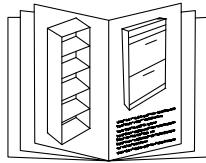
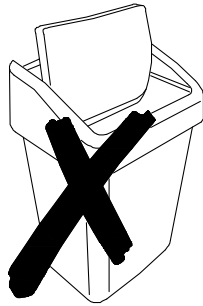


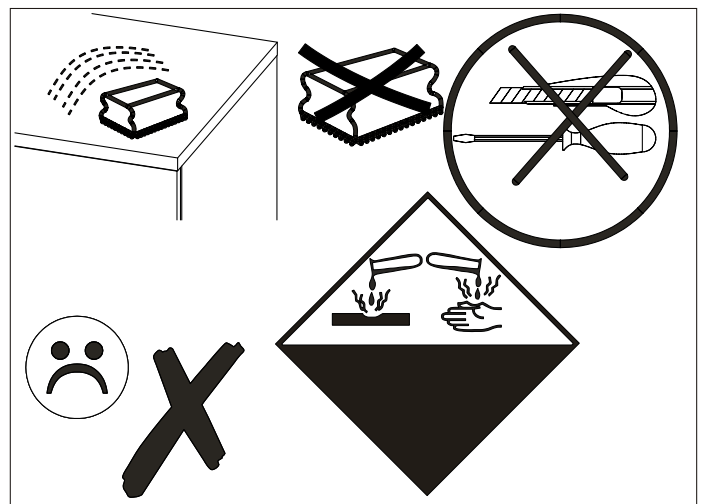
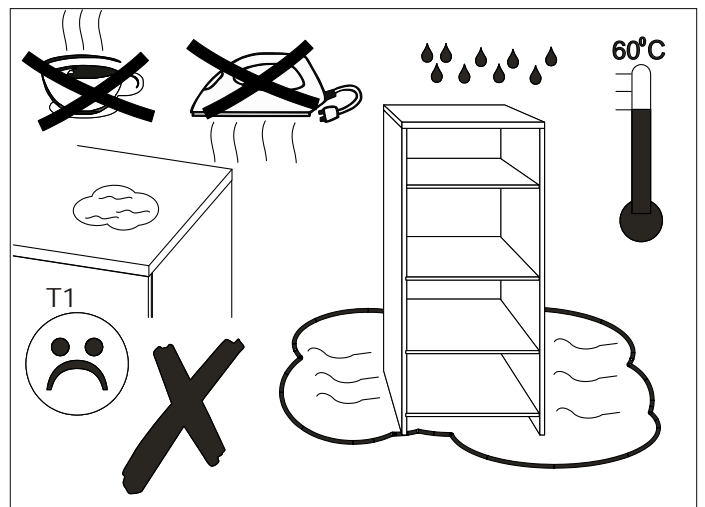
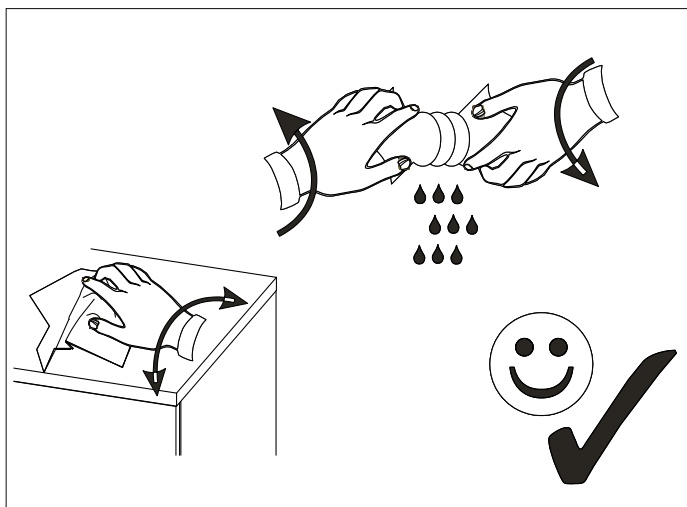
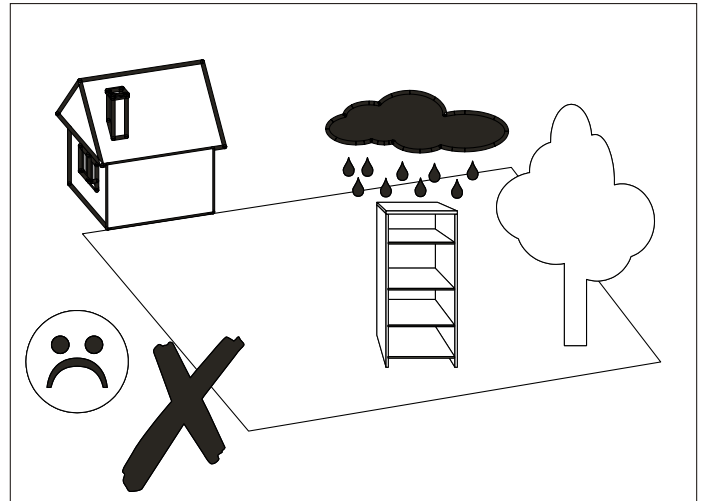
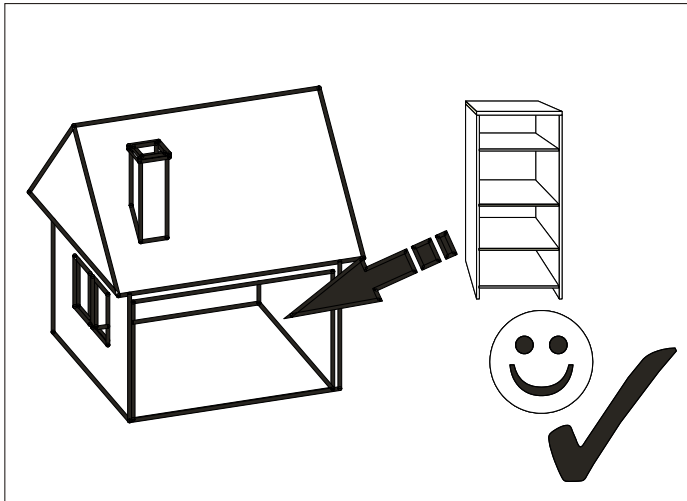
21	1765x527	2/3
20	366x108	2/3
19	350x60	2/3
18	350x60	2/3
17	366x60	2/3
16	366x60	2/3
15	479x60	2/3
14	512x60	2/3
13	546x60	2/3
12	506x540	3/3
11	396x310	3/3
10	506x160	3/3
9	336x183	3/3
8	506x380	3/3
7	511x330	2/3
6	512x349	1/3
5	512x349	1/3
4	512x367	1/3
3	1766x384	2/3
2	1766x384	2/3
1	546x385	1/3

VR07

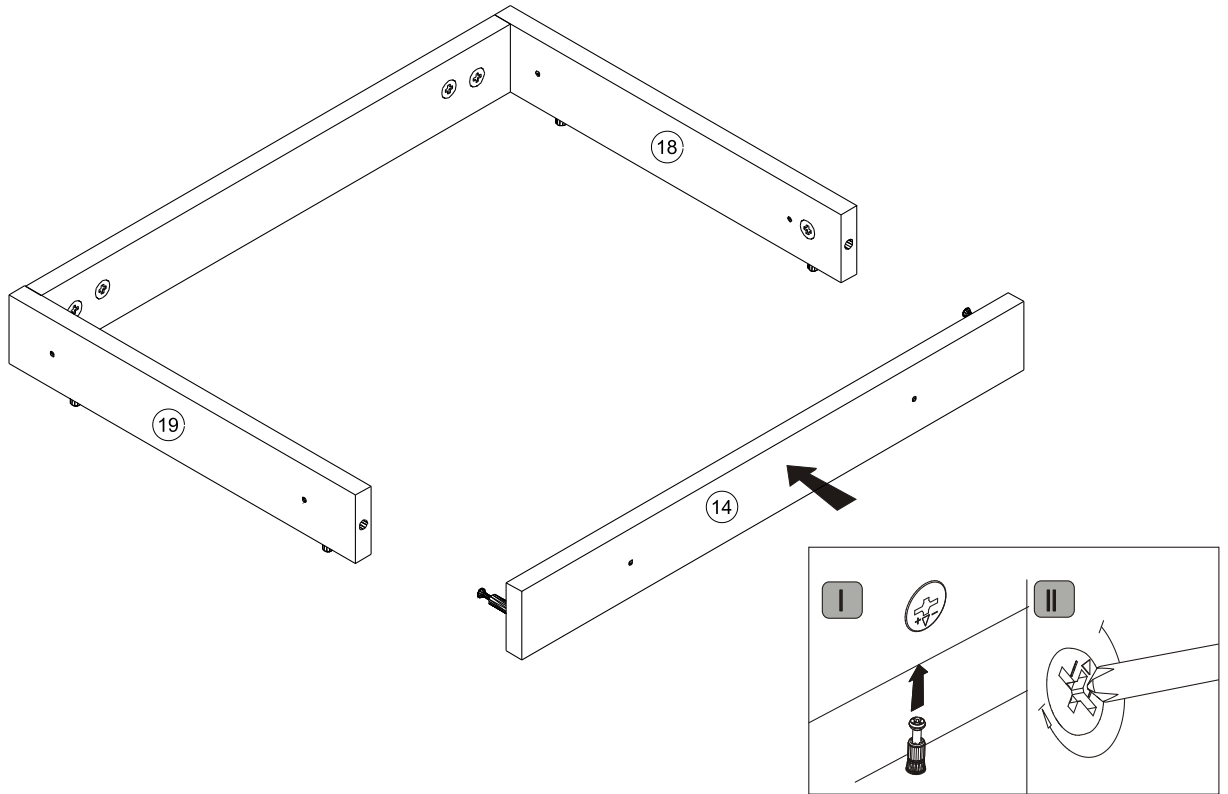
VR08

16x #20 ZN1	14x 3.5x16 W3	12x ST1	2x R1	7x 3.5x16 Wp3	12x 3x20 W9	4x ZC90	12x 4x30 W4	4x N1
1x £1	22x 8x30 K1	2x 4.5x70 S1	1x MK15/15 M3	26x #15/15 M1	27x DU232T T1	16x 4x25 W8	6x 2x20 G1	12x B1

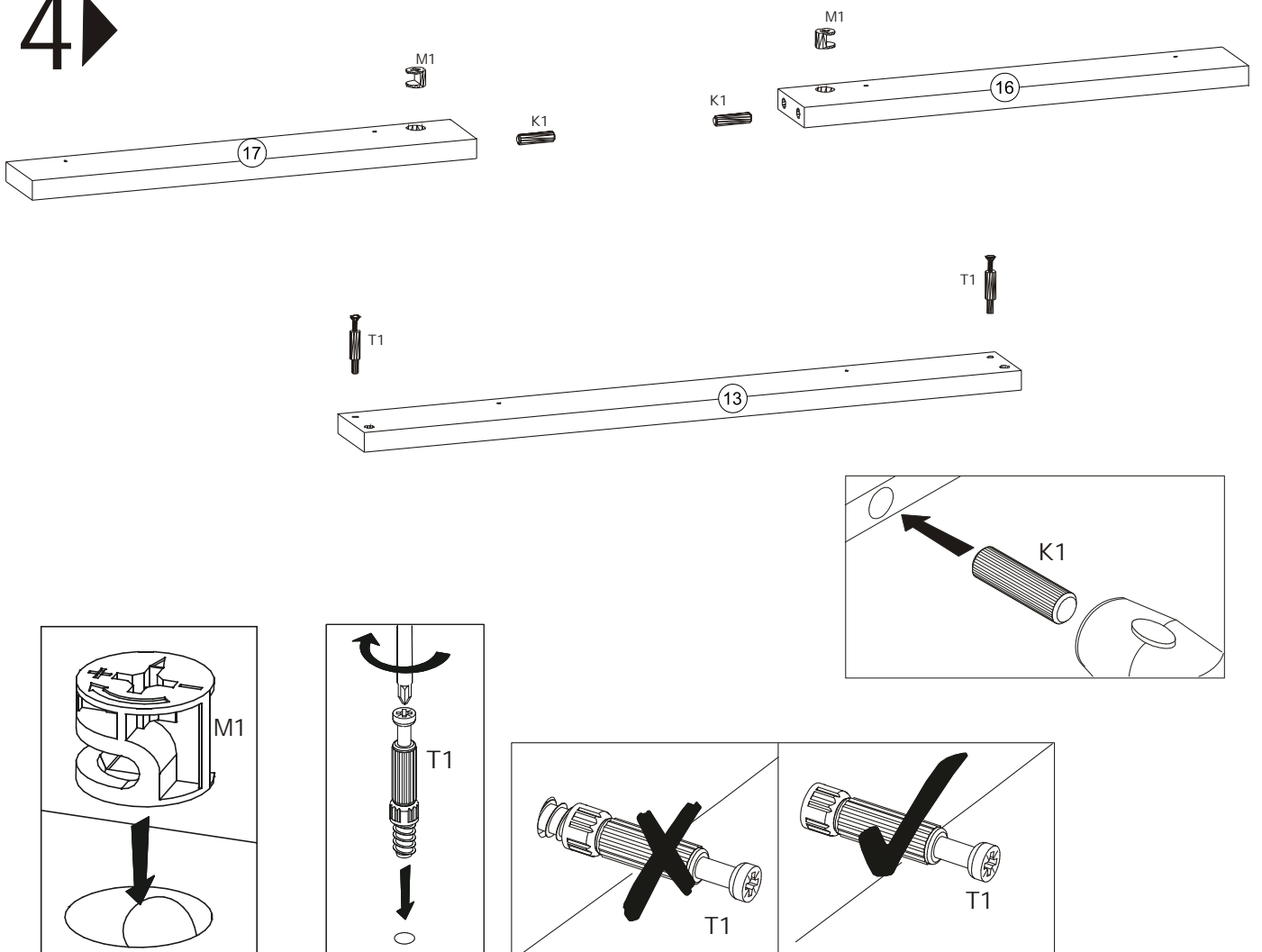




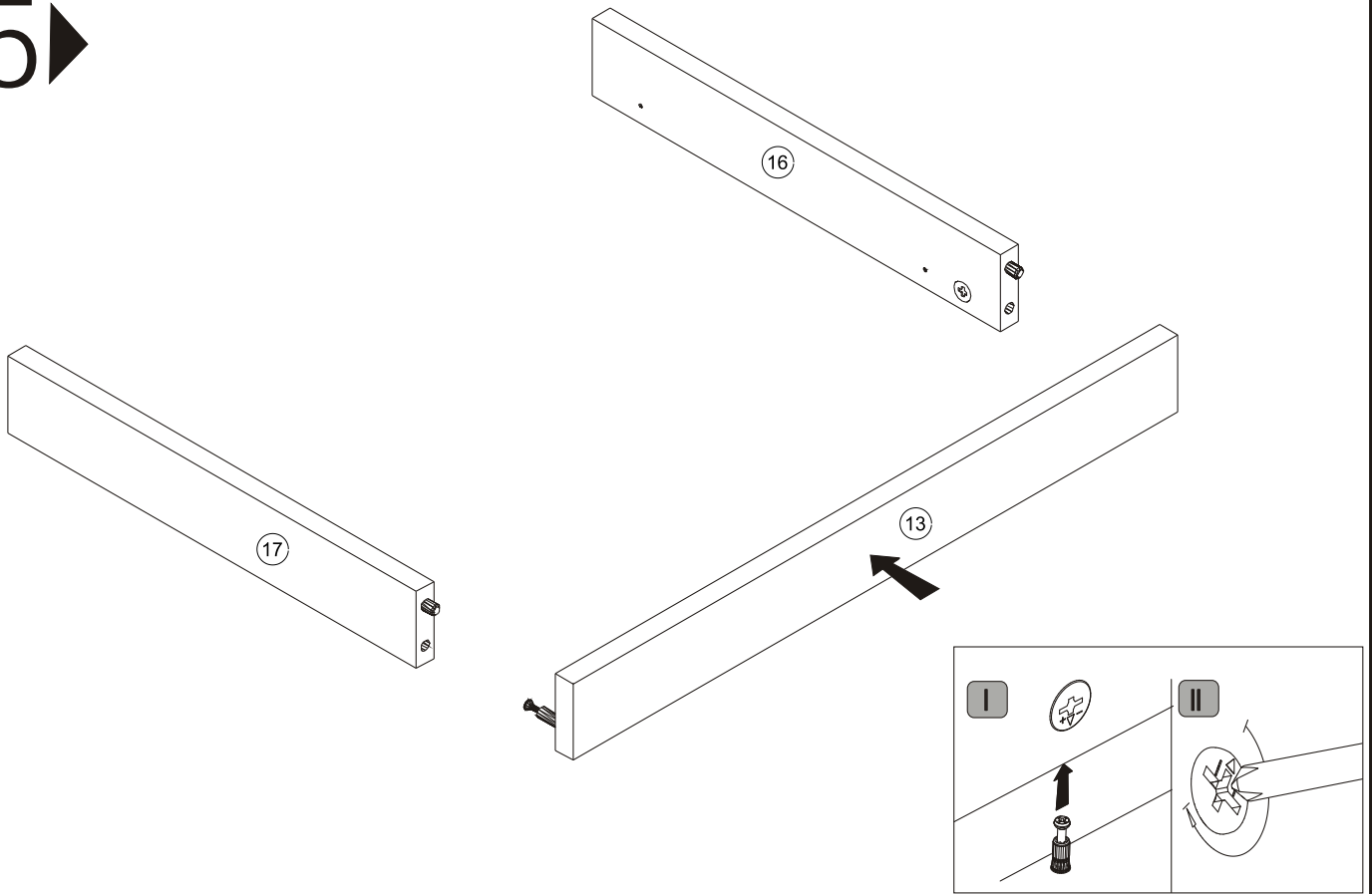
3 ▶



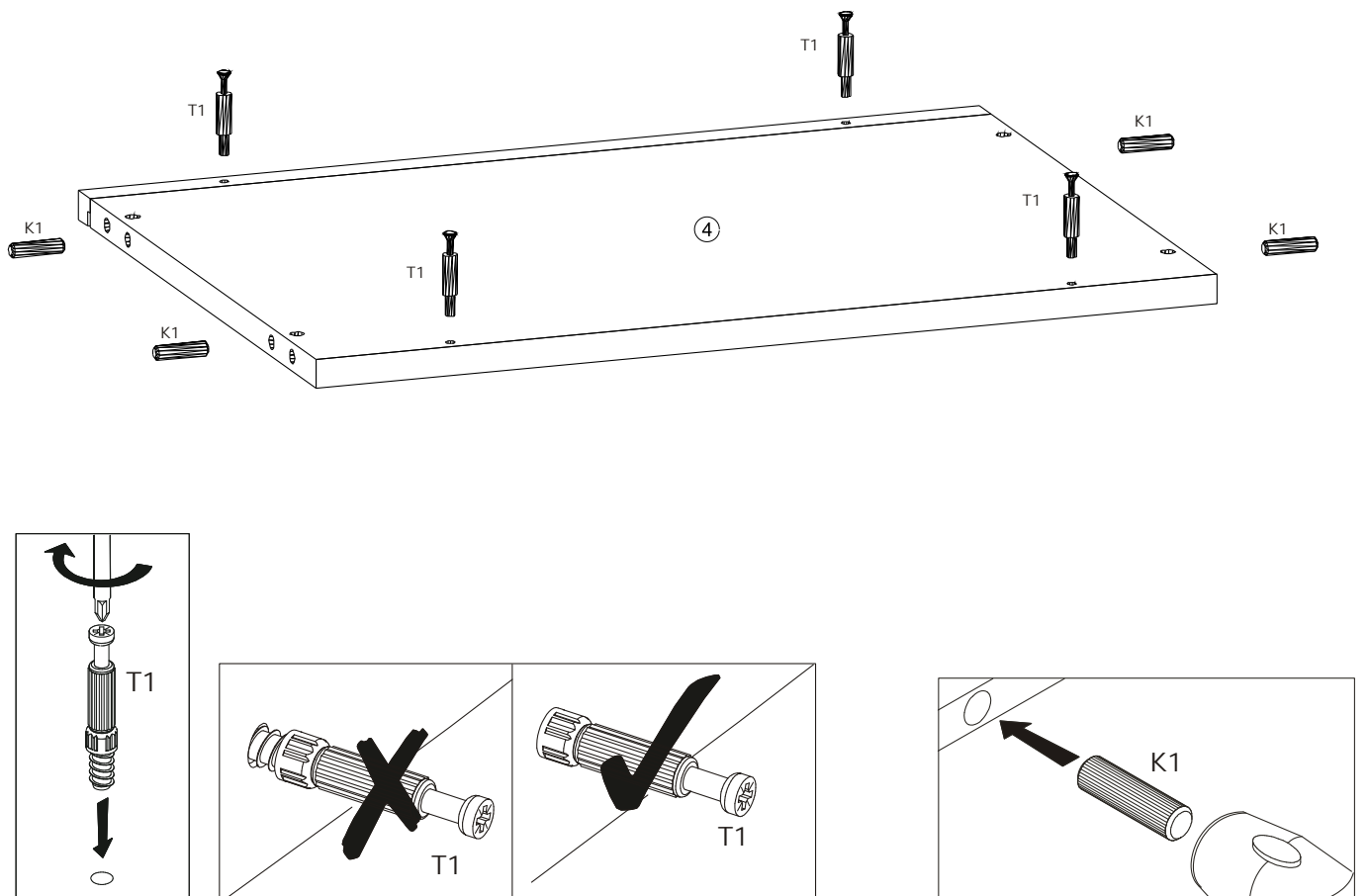
4 ▶



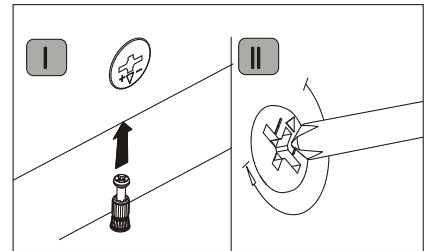
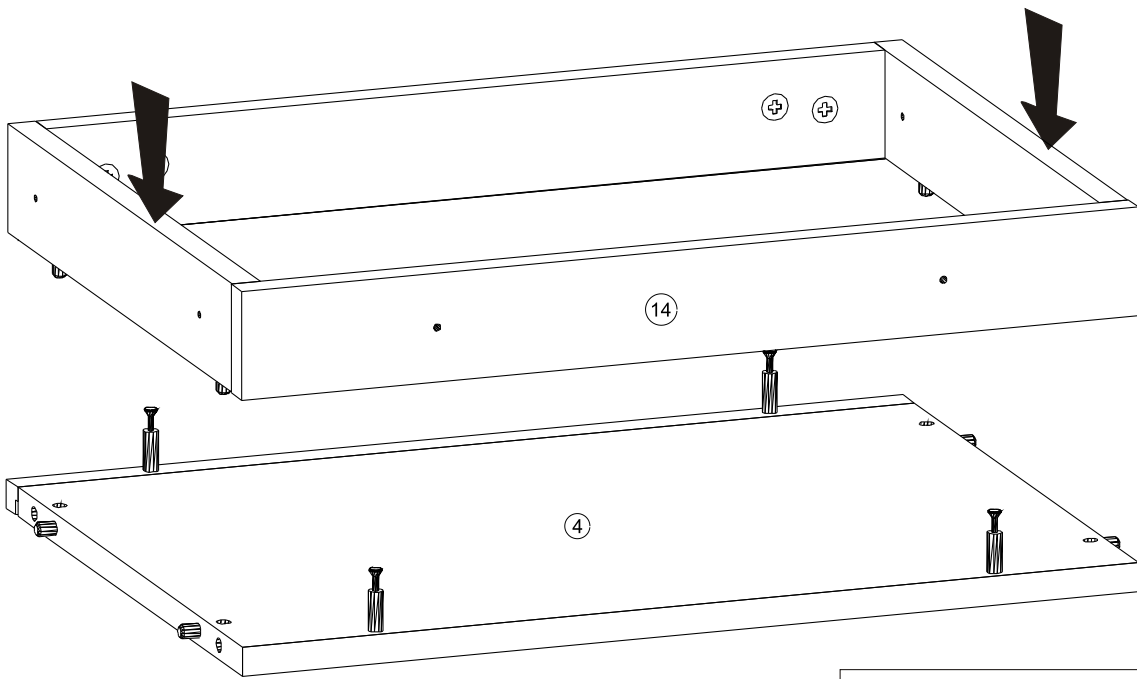
5 ▶



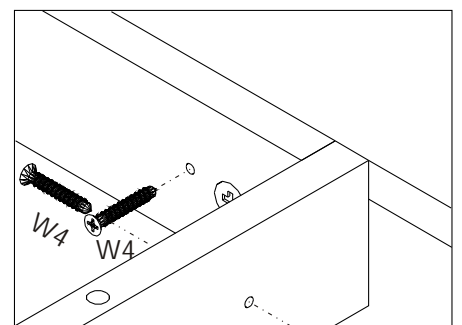
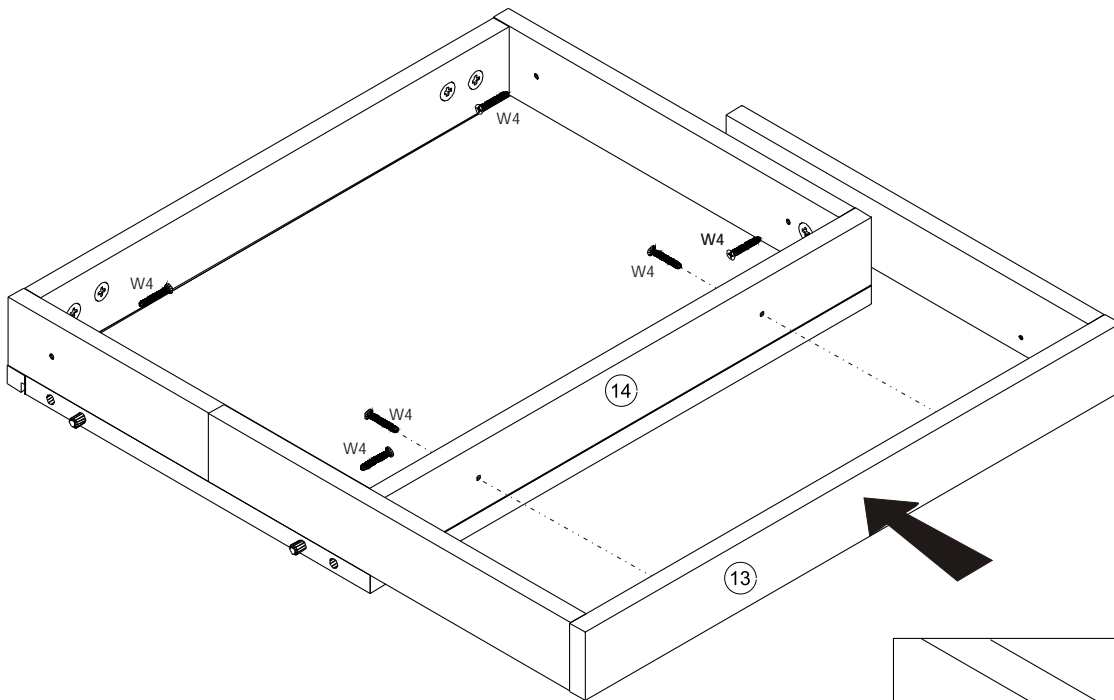
6 ▶



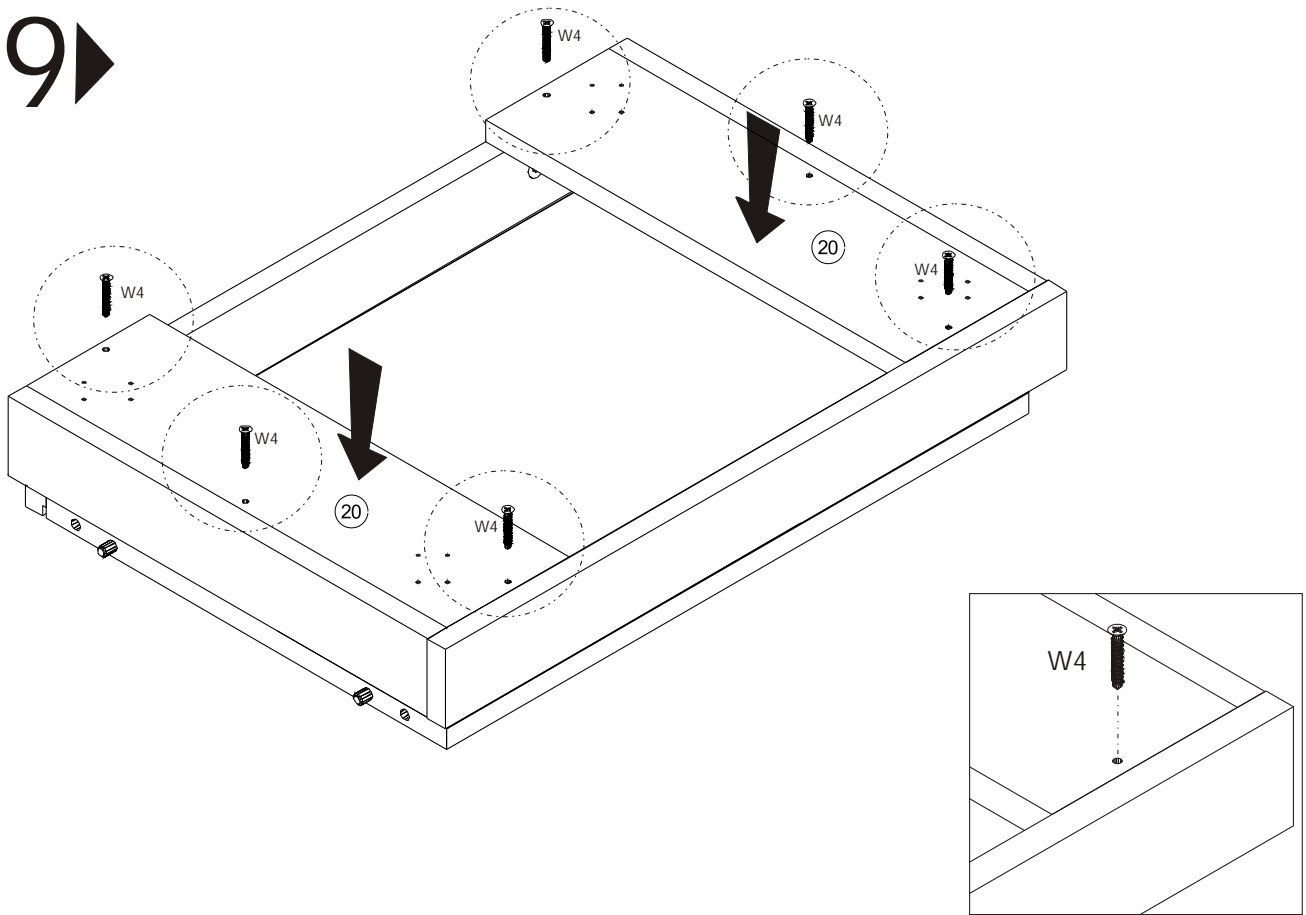
7 ▶



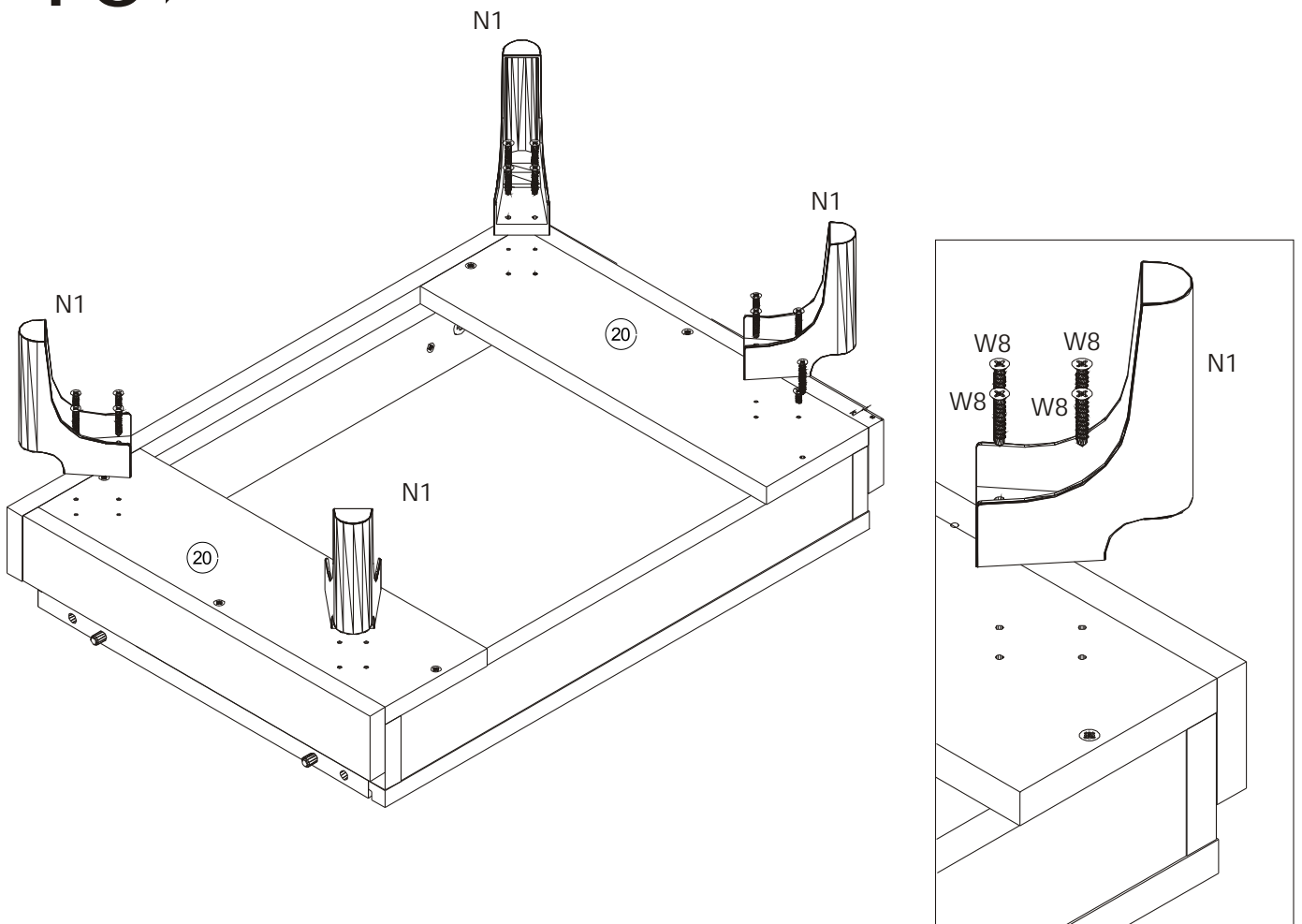
8 ▶



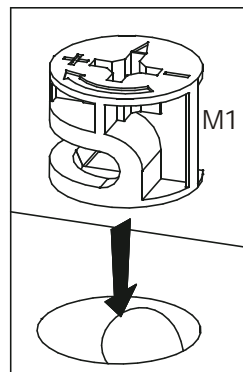
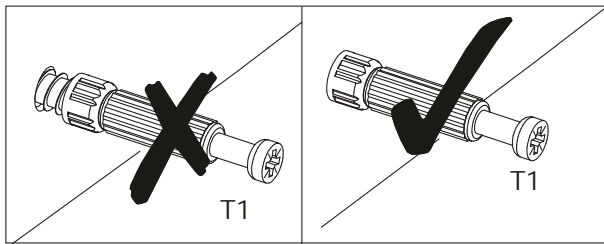
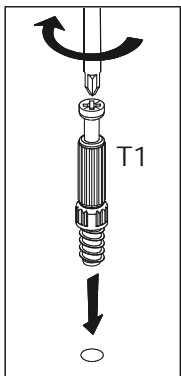
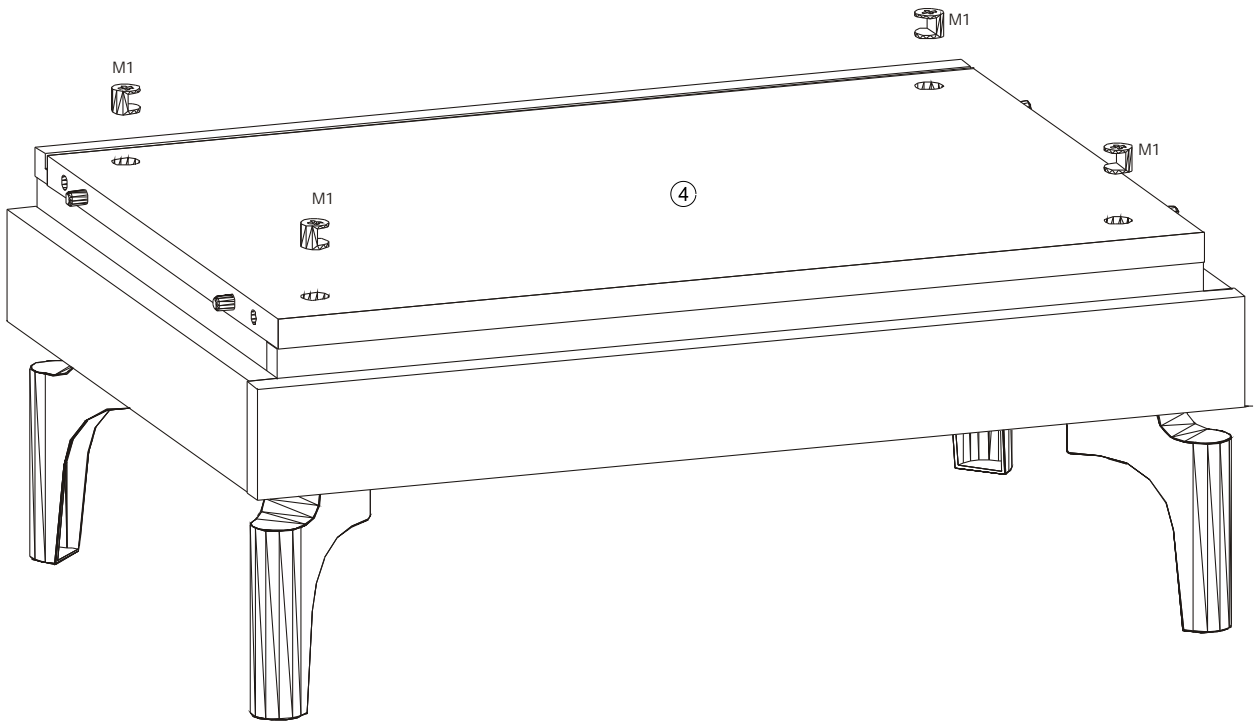
9 ▶



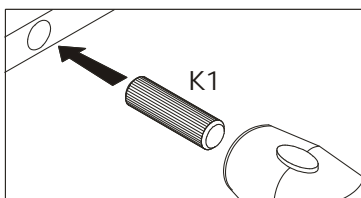
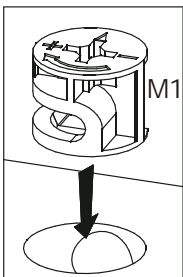
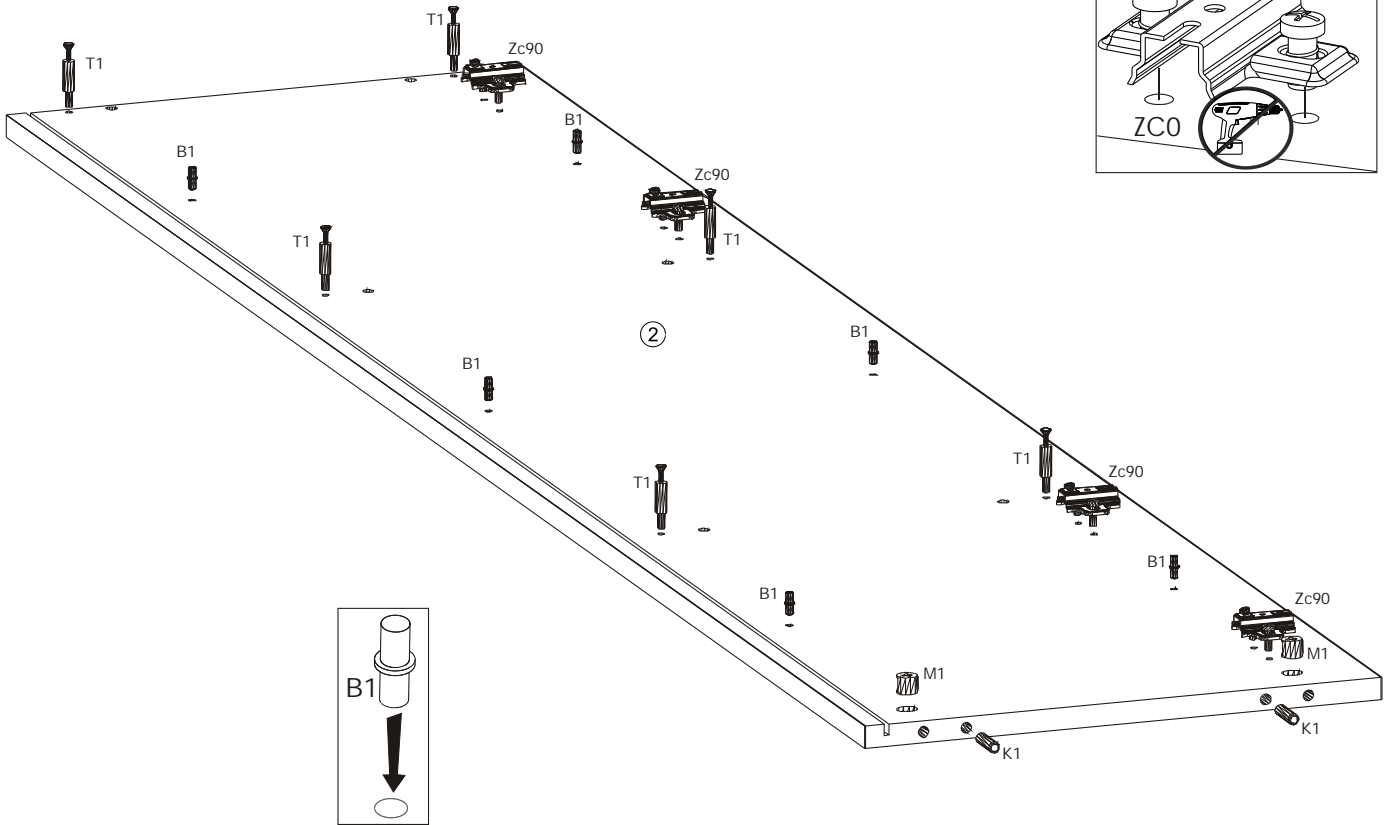
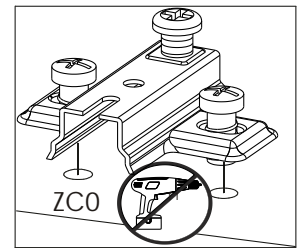
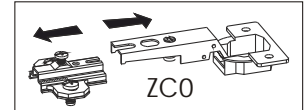
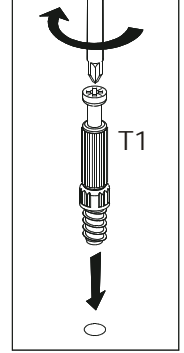
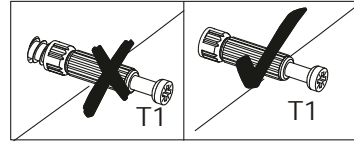
10 ▶



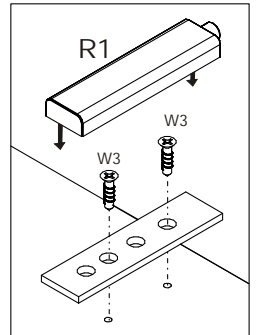
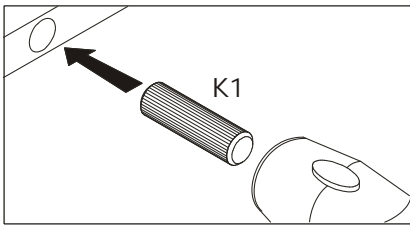
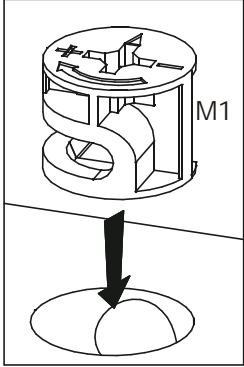
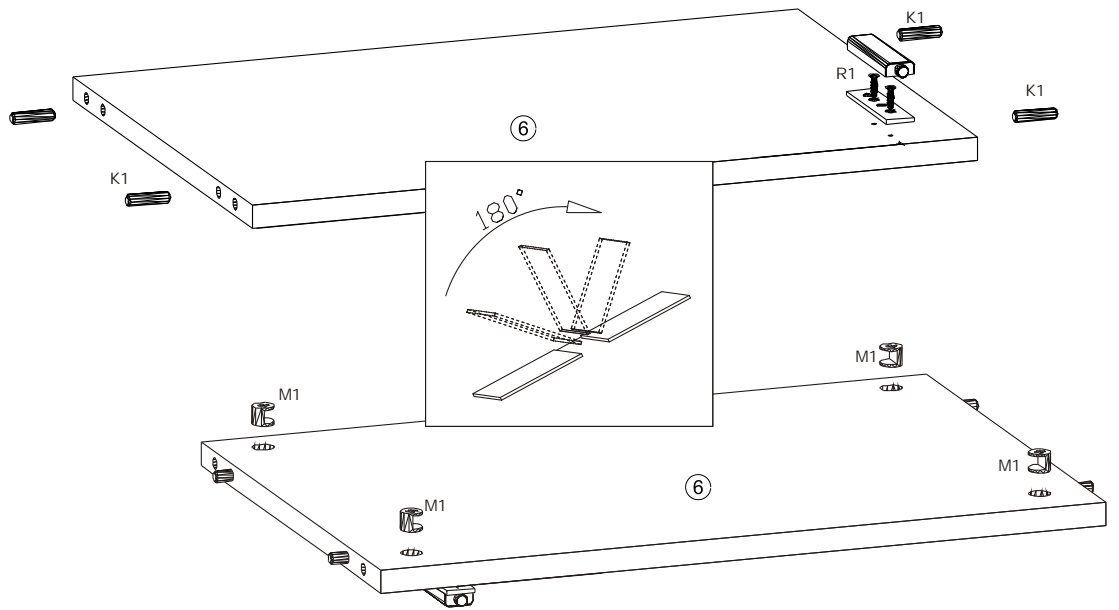
11 ▶



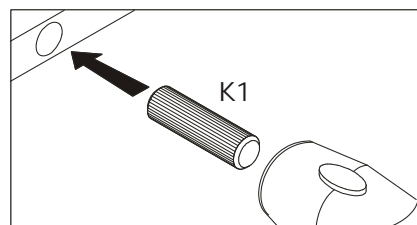
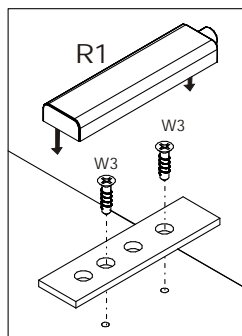
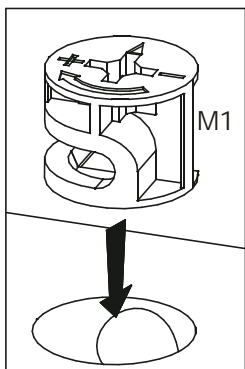
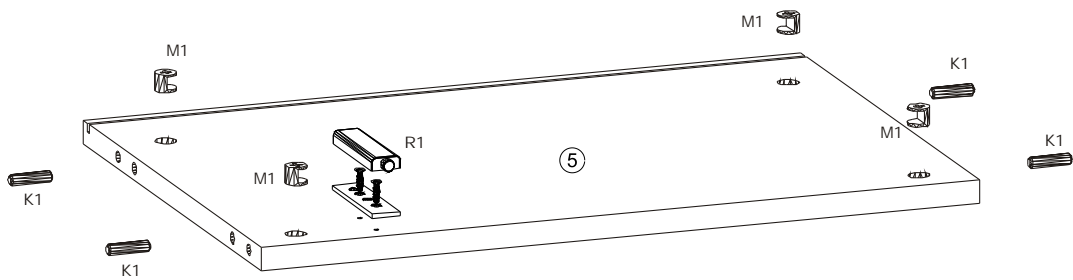
12 ▶



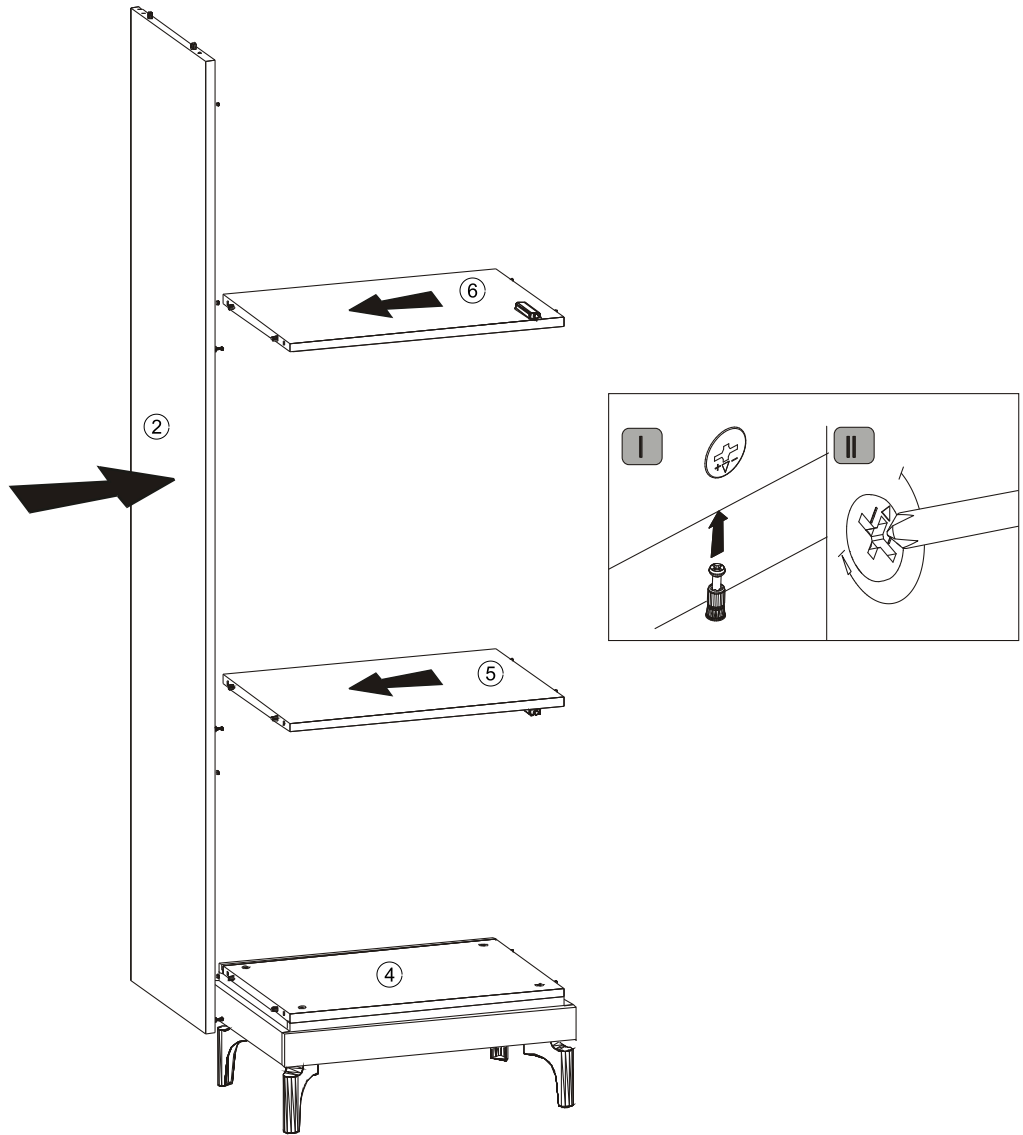
13 ▶



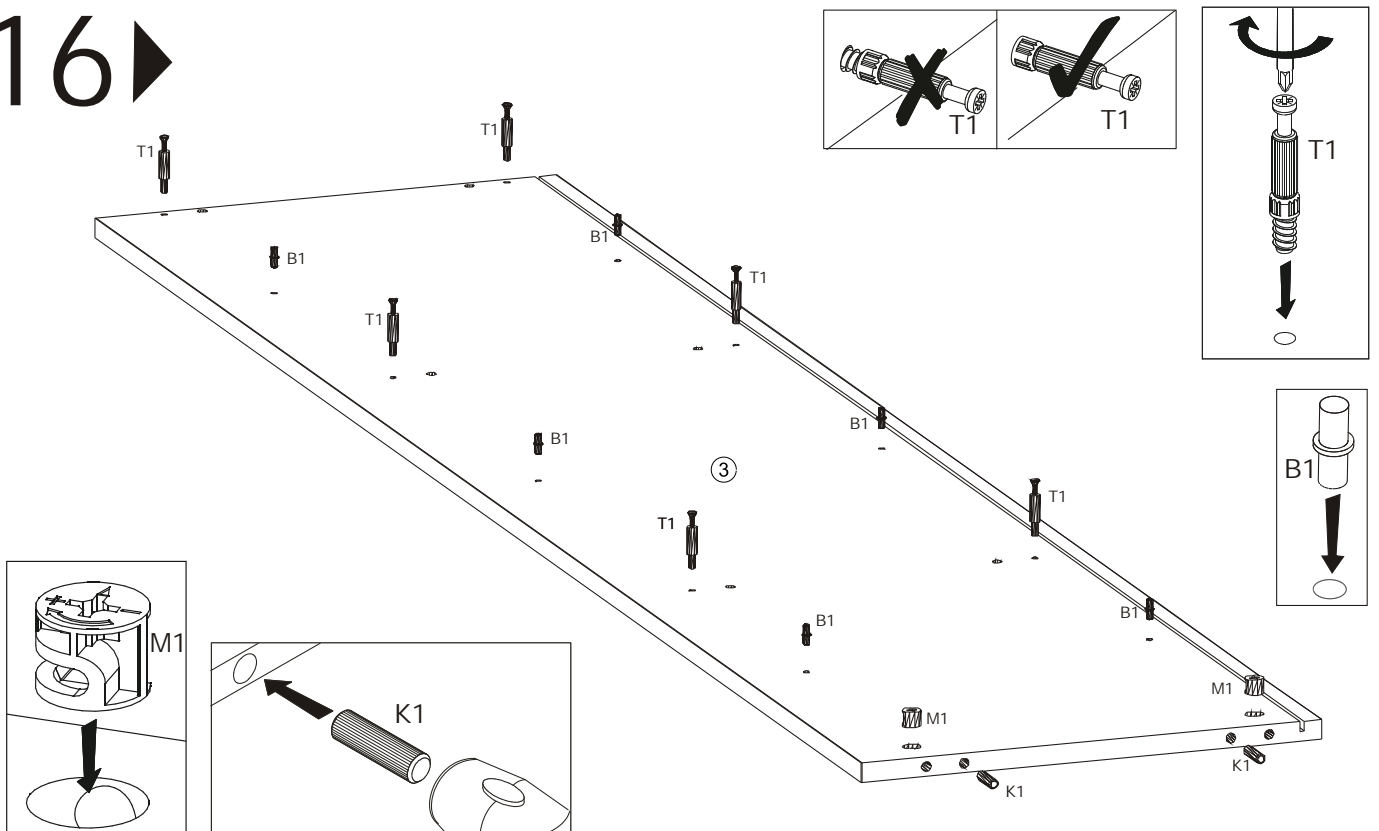
14 ▶



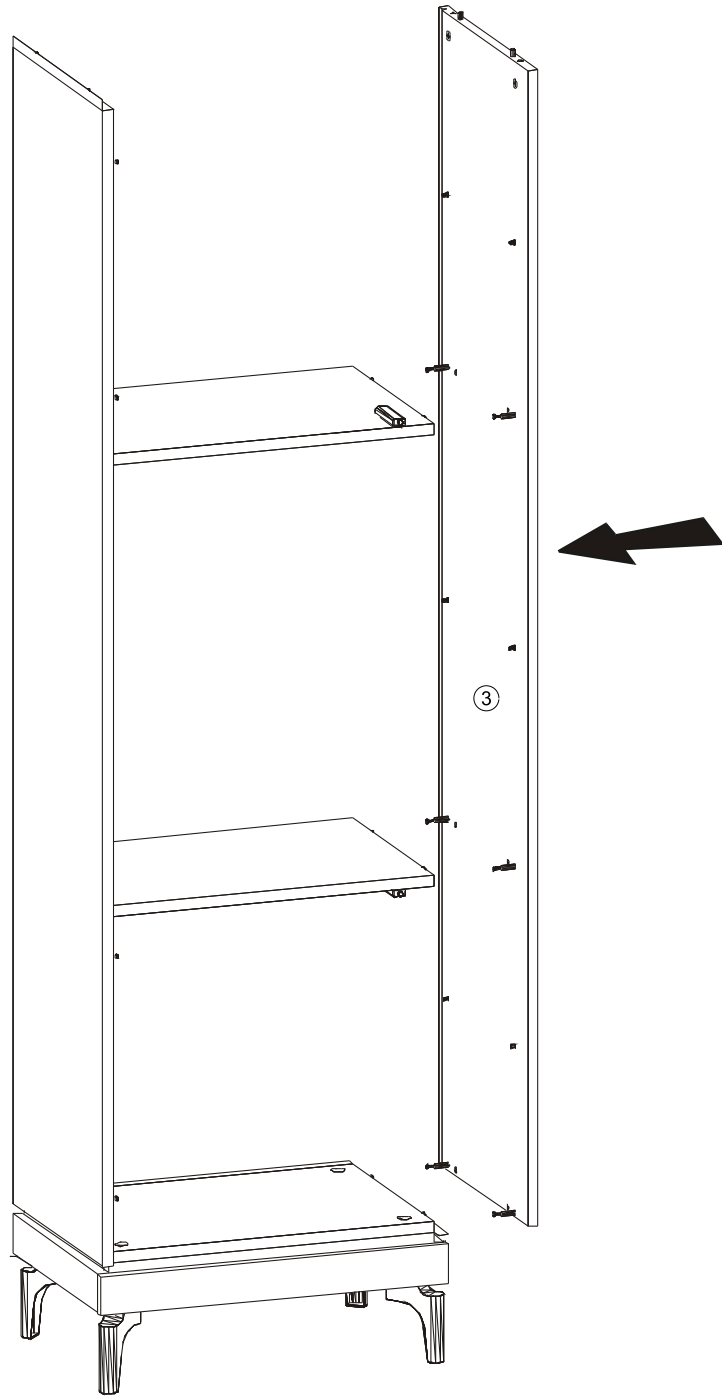
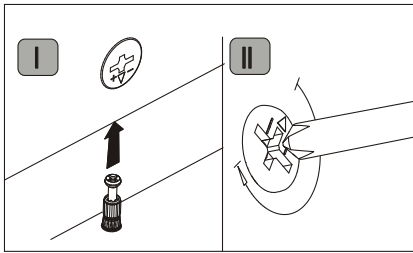
15 ▶



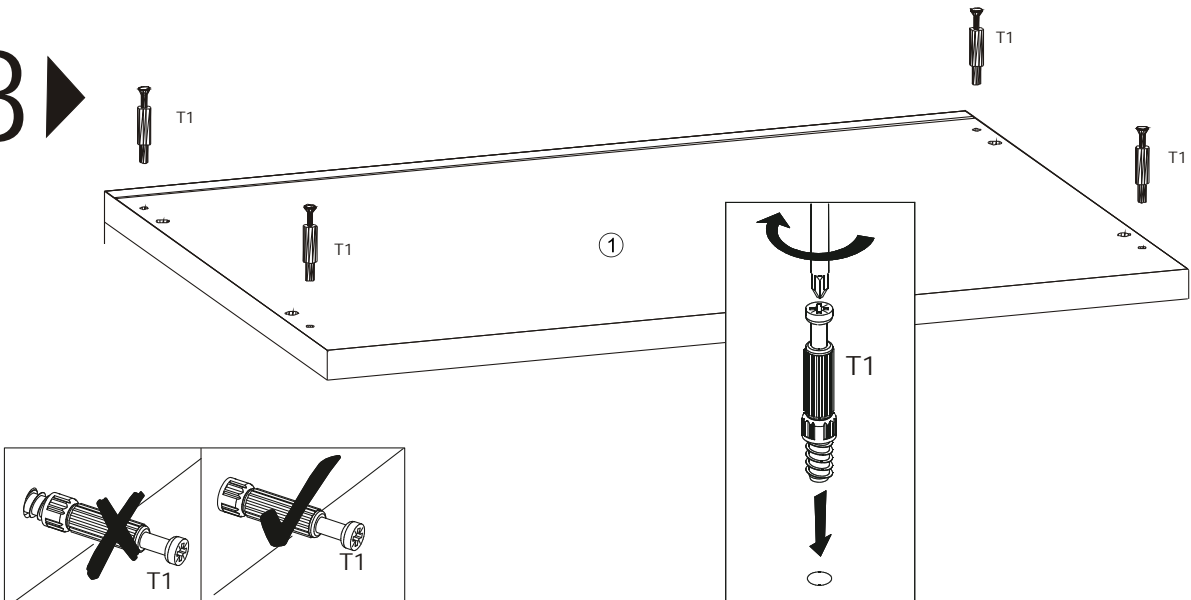
16 ▶



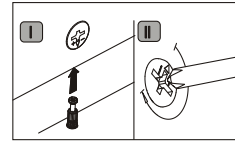
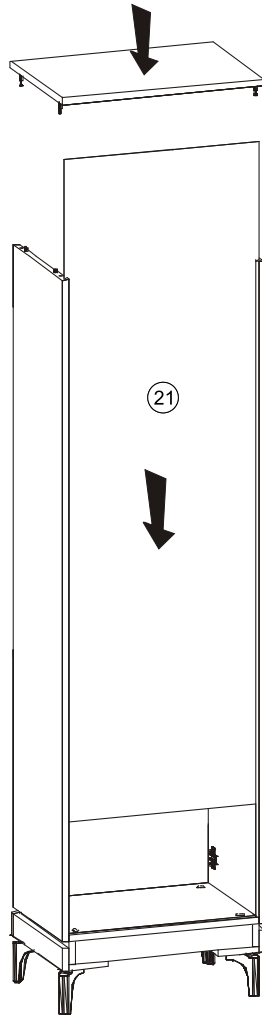
17 ▶



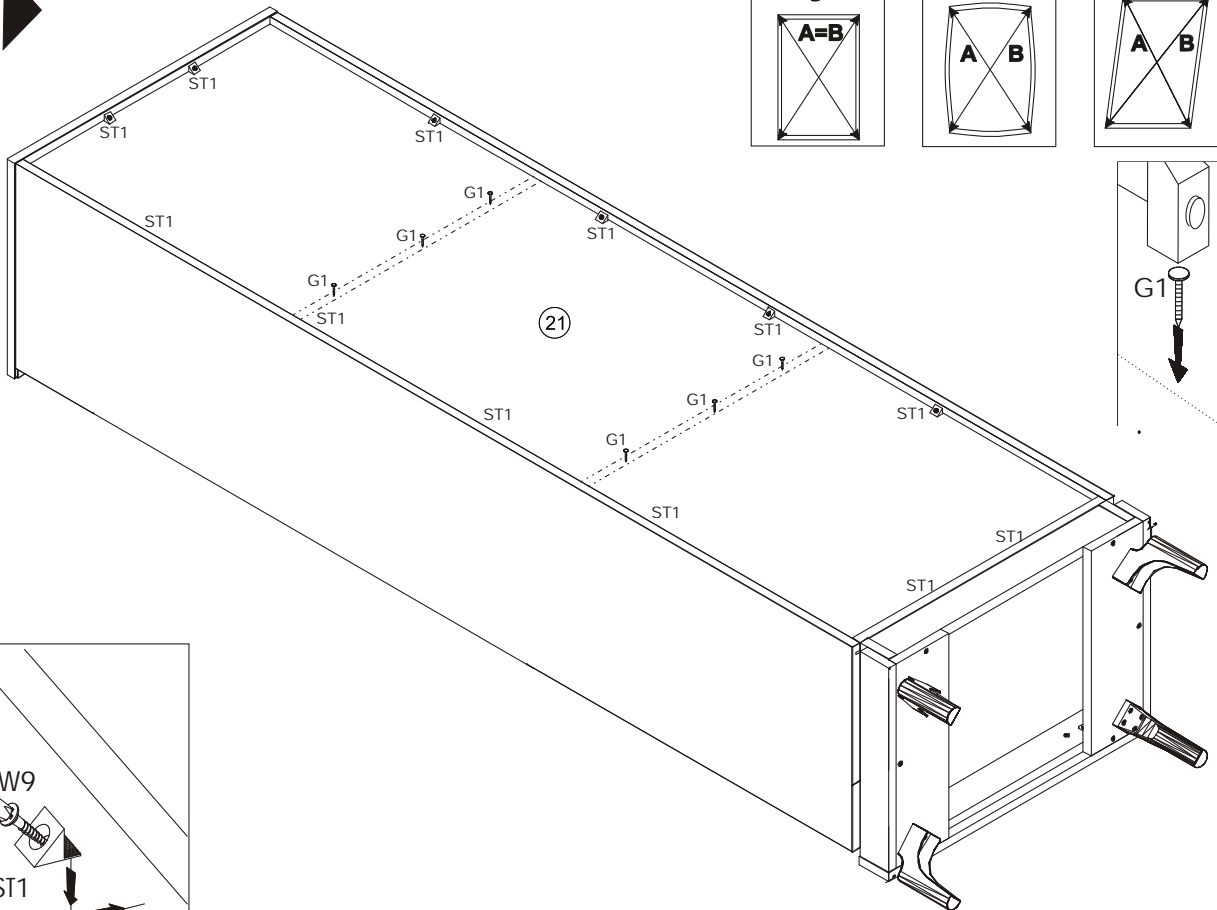
18 ▶



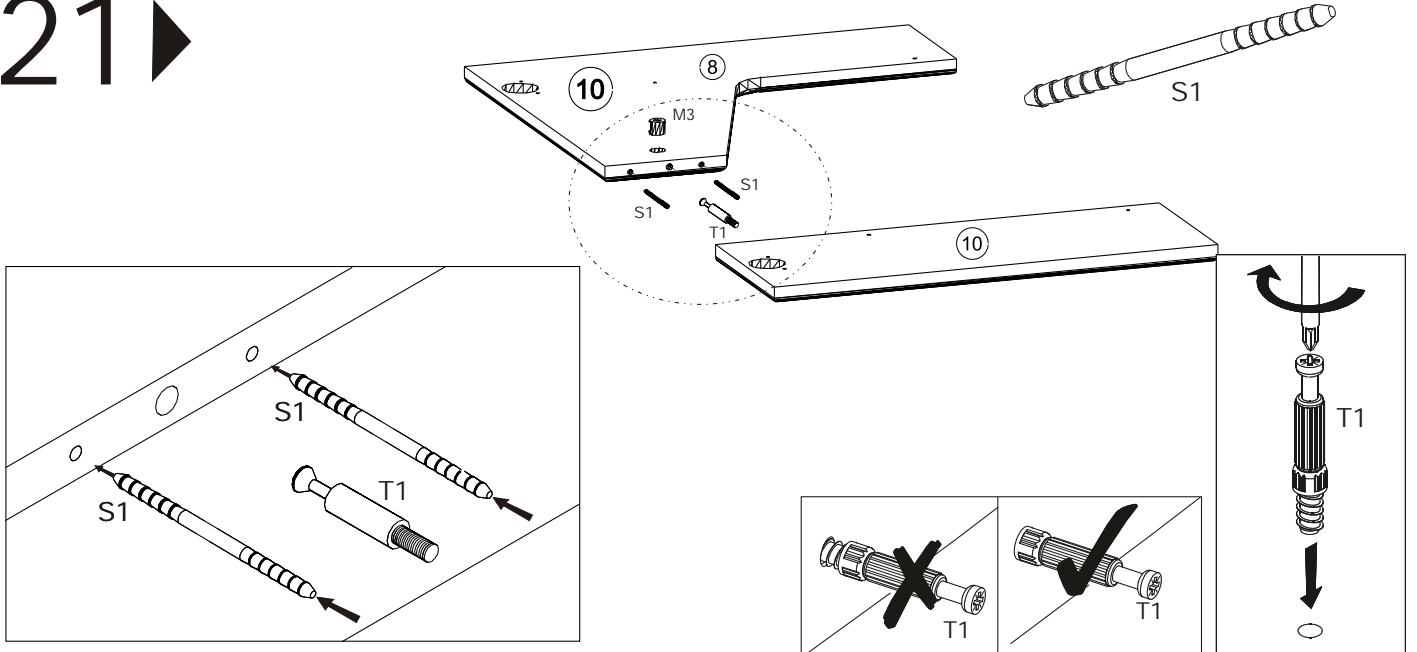
19▶



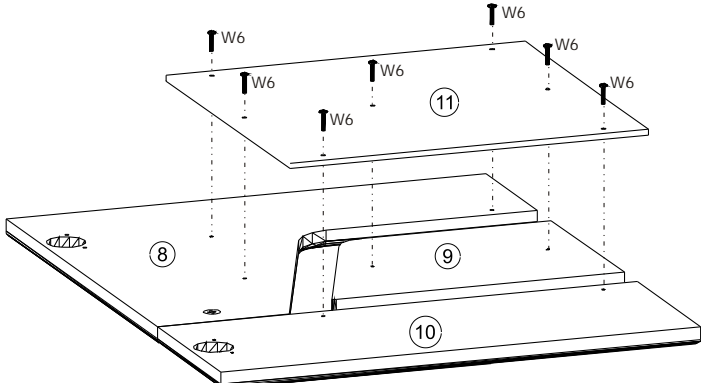
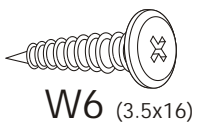
20▶



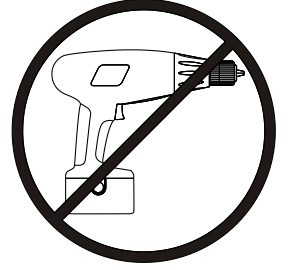
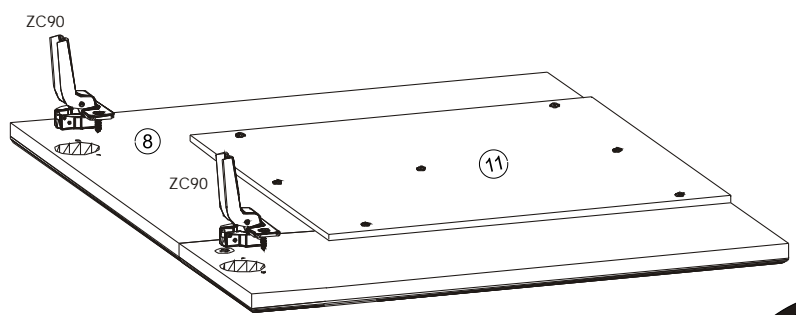
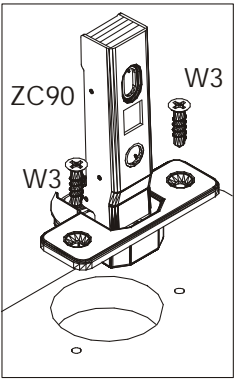
21 ▶



22 ▶



23 ▶



24 ▶

