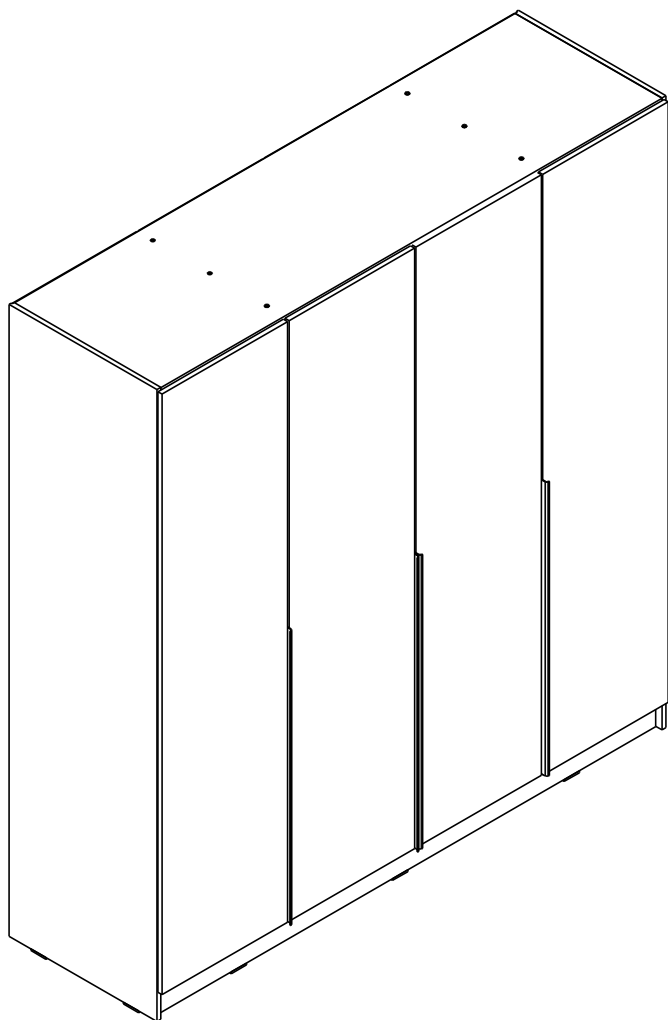
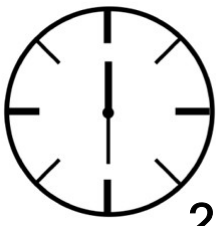
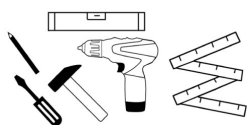
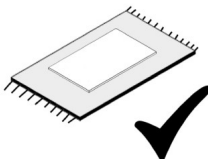


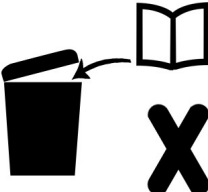
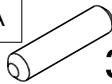
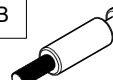


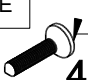
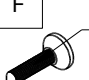
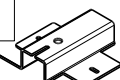





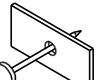

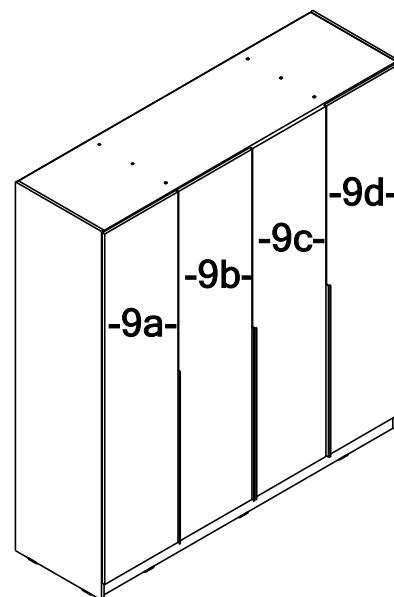
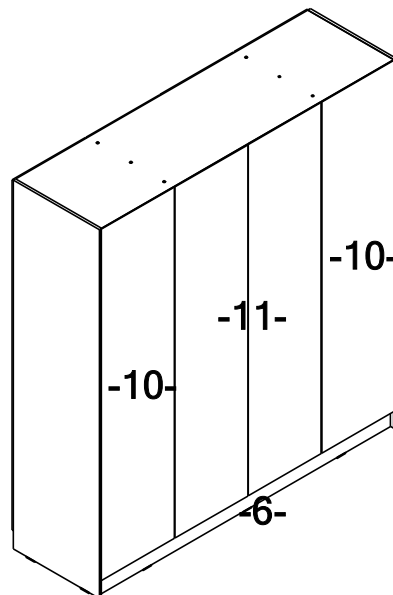
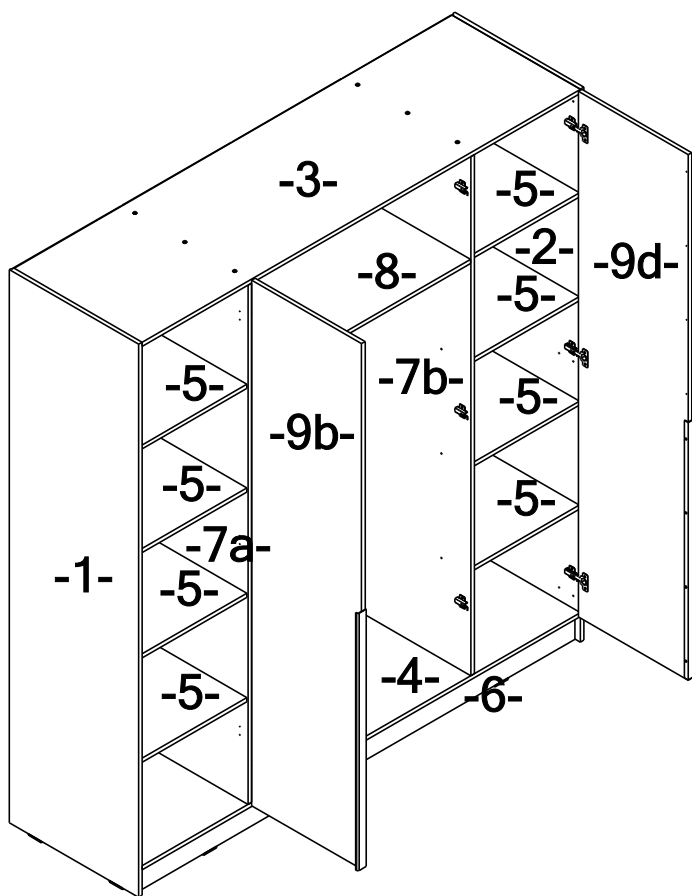


# SZAFA 200

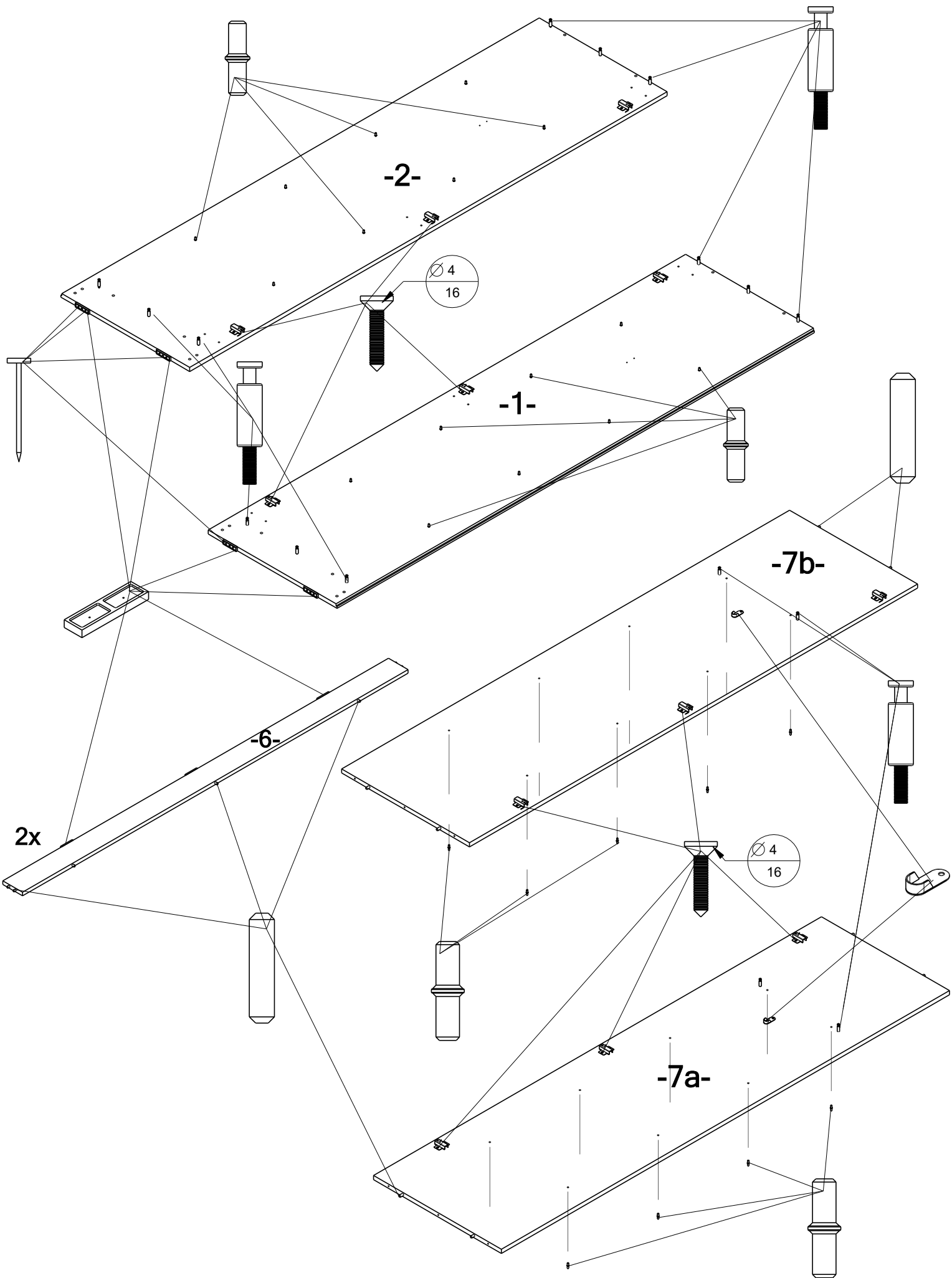


|  |  |
|--|--|
|  <p>2h</p> |   |
|            |   |
|           |  |

|  |  |  |  |
|--|--|--|--|
| <p>A</p>  <p>30</p>                   | <p>B</p>  <p>16</p>                 | <p>C</p>  <p>16</p> | <p>D</p>  <p>2</p>  |
| <p>E</p>  <p>44</p> <p>3,5<br/>16</p> | <p>F</p>  <p>24</p> <p>4<br/>16</p> | <p>G</p>  <p>6</p>  | <p>H</p>  <p>6</p>  |
| <p>J</p>  <p>140</p>                  | <p>K</p>  <p>12</p>                 | <p>L</p>  <p>1</p>  | <p>M</p>  <p>32</p> |
| <p>N</p>  <p>16</p>                   | <p>P</p>  <p>6</p>                  |  |  |



|     | WYMIARY ELEM. |      | WYMIARY ELEM. |
|-----|---------------|------|---------------|
| -1- | 2150x580      | -7-  | 2x 2018x576   |
| -2- | 2150x580      | -8-  | 984x575       |
| -3- | 1968x576      | -9-  | 4x 2046x493   |
| -4- | 1968x576      | -10- | 2x 2048x491   |
| -5- | 8x 476x550    | -11- | 2x 2048x500   |
| -6- | 2x 1968x100   |      |               |



-4-

-3-

-8-

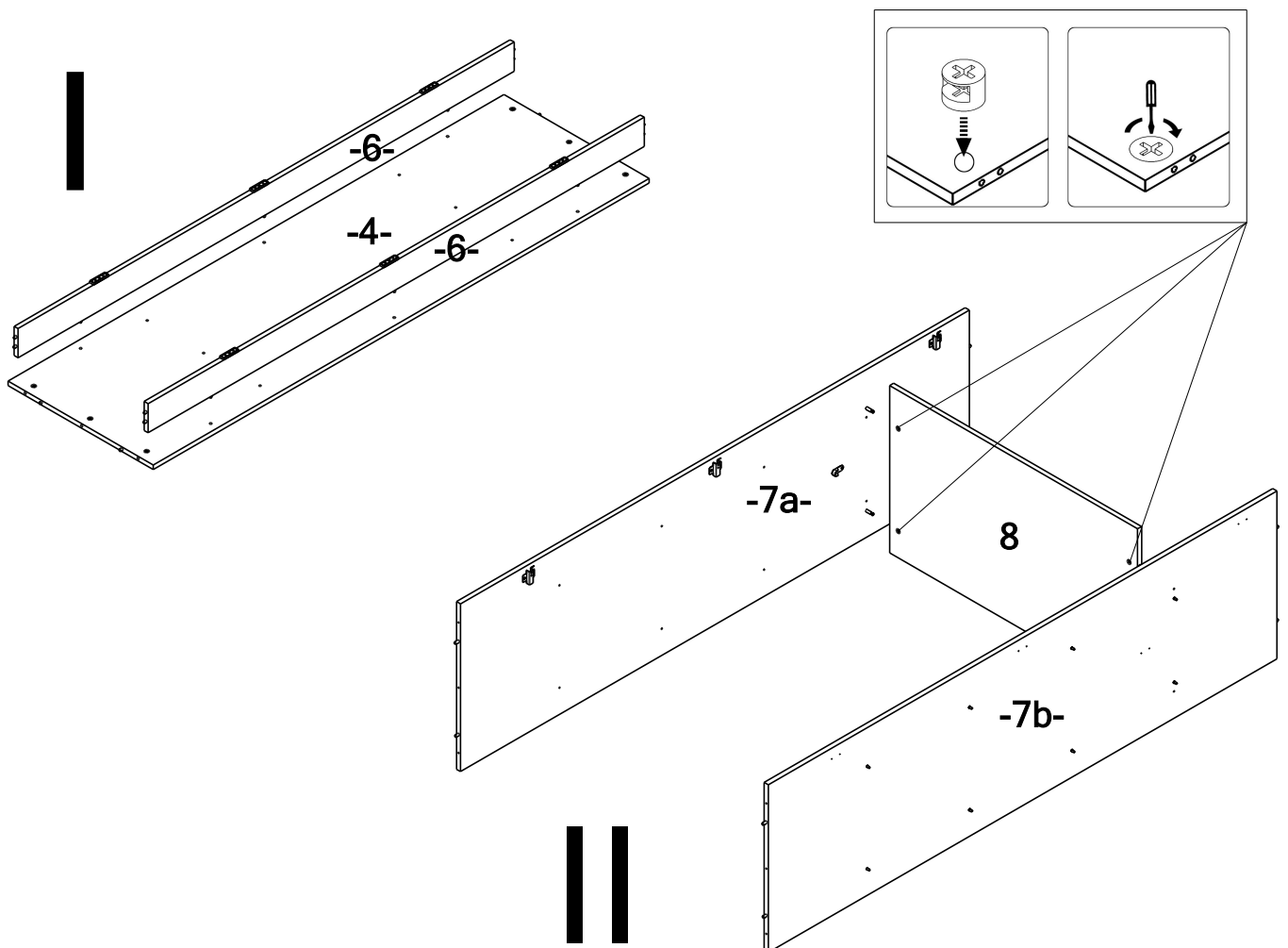
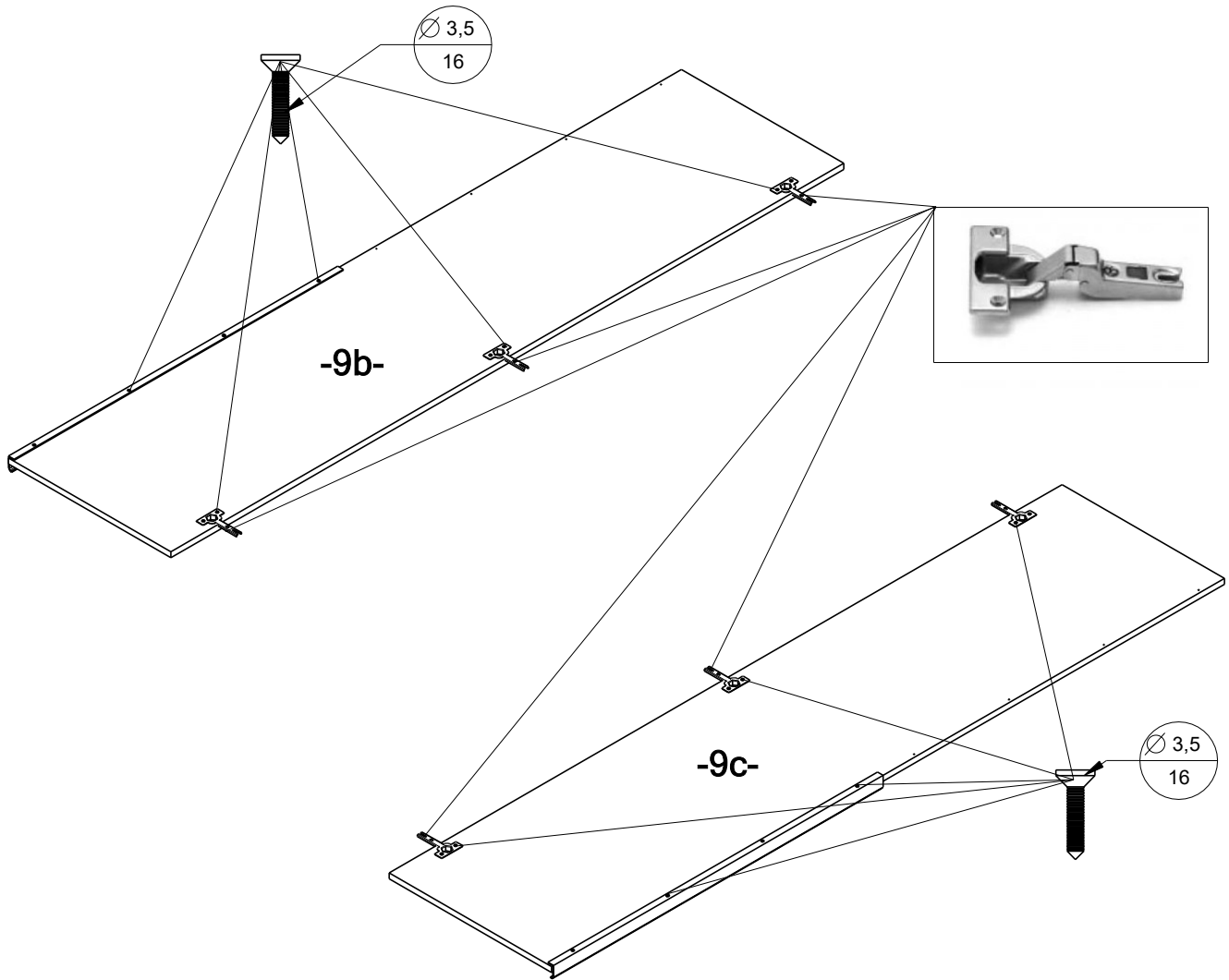
-9a-

-9d-

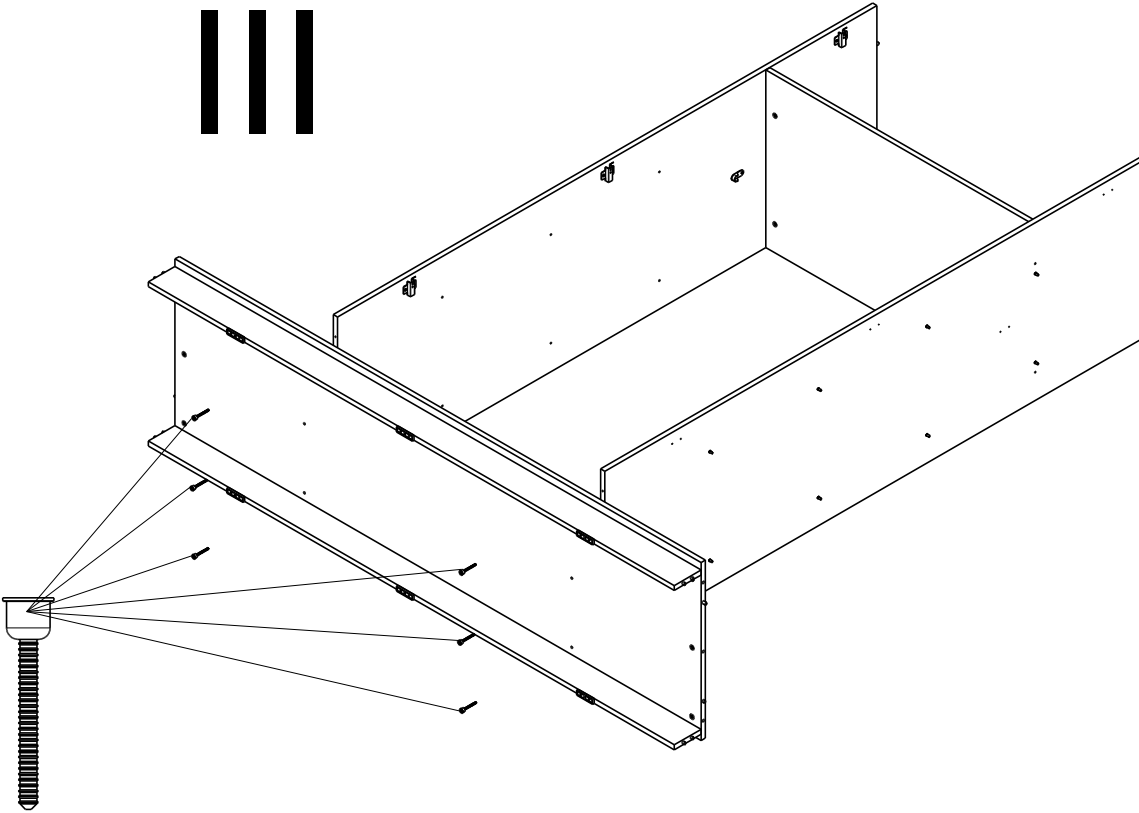
Ø 3,5  
16

Ø 3,5  
16

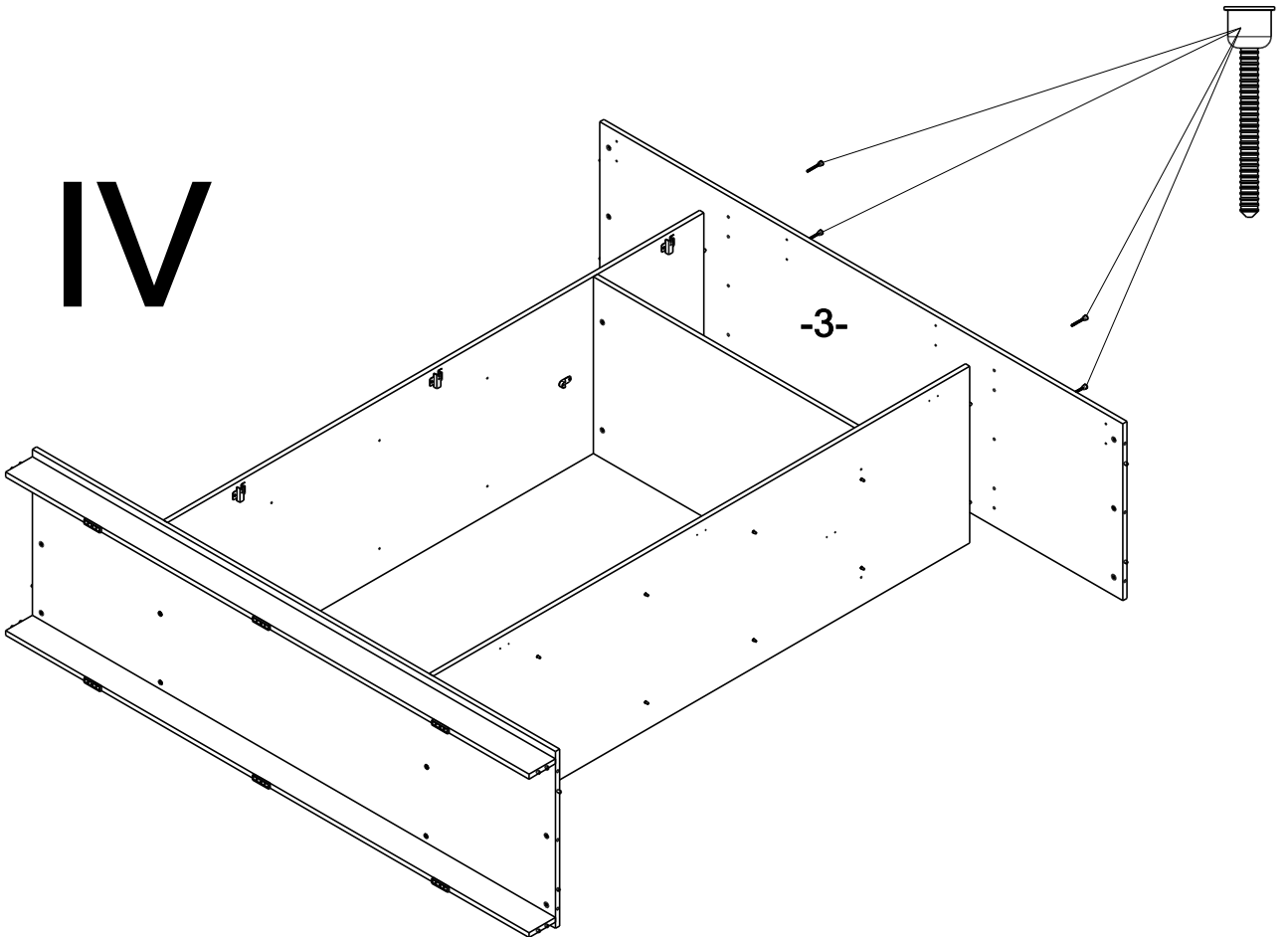


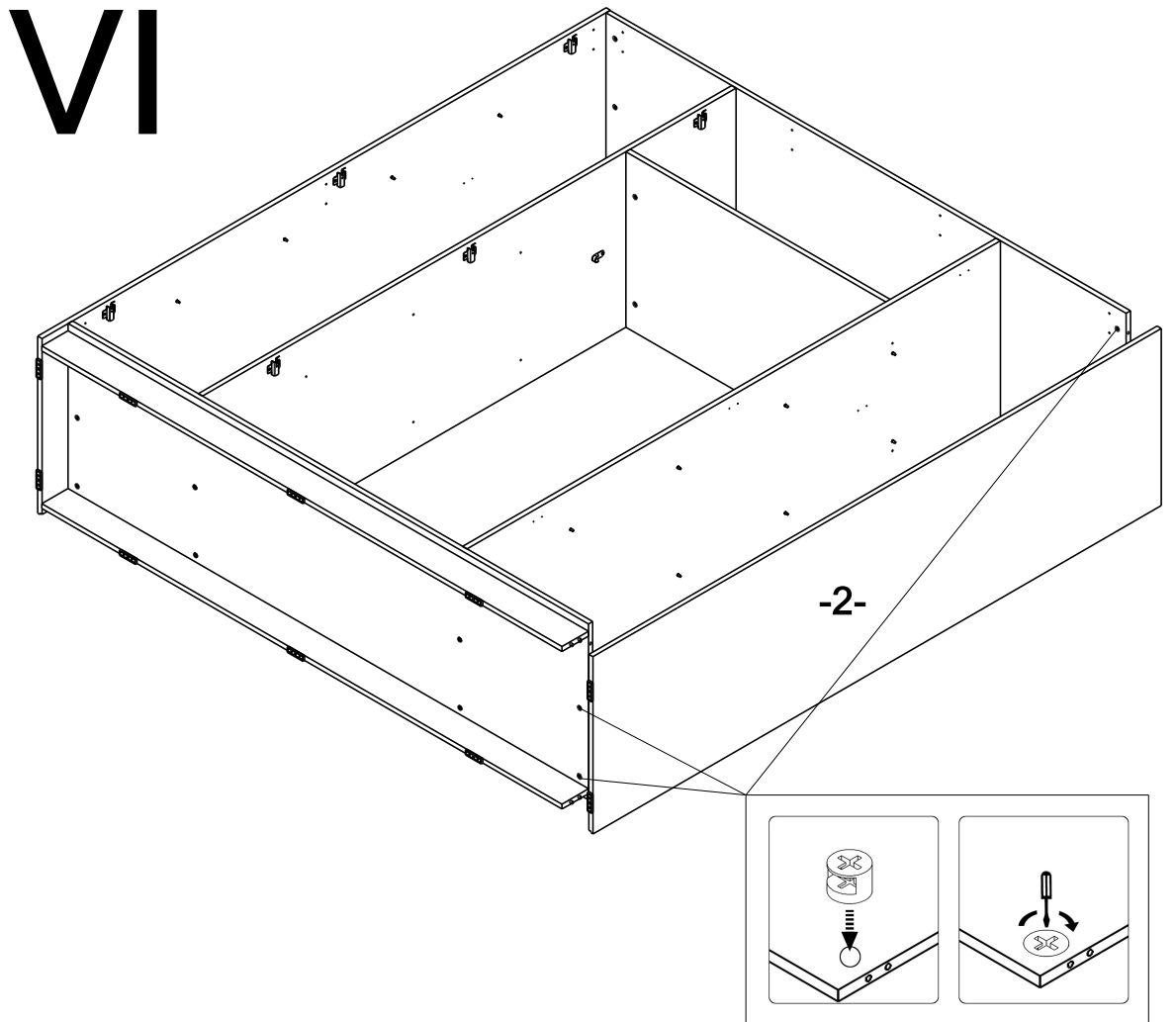
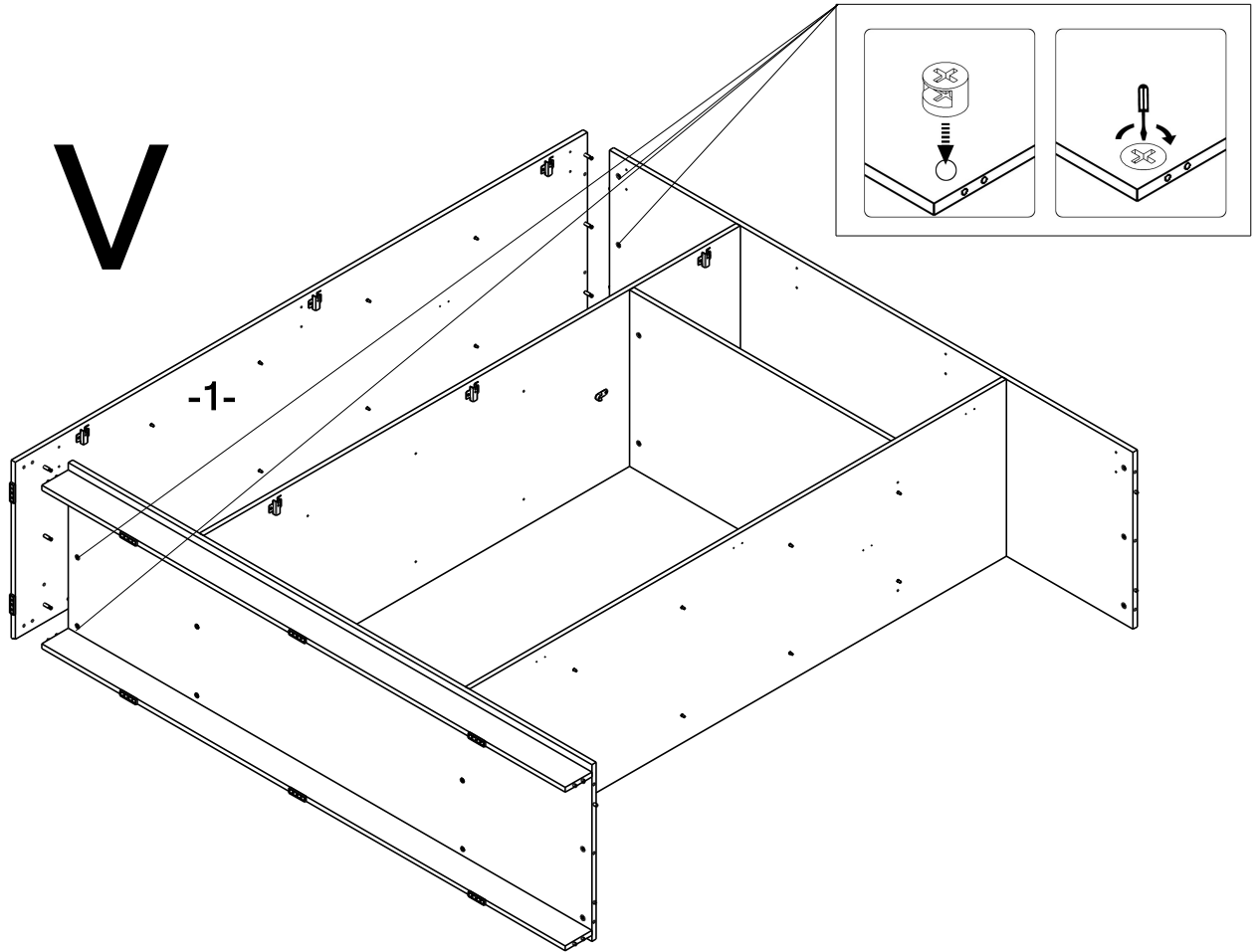


III

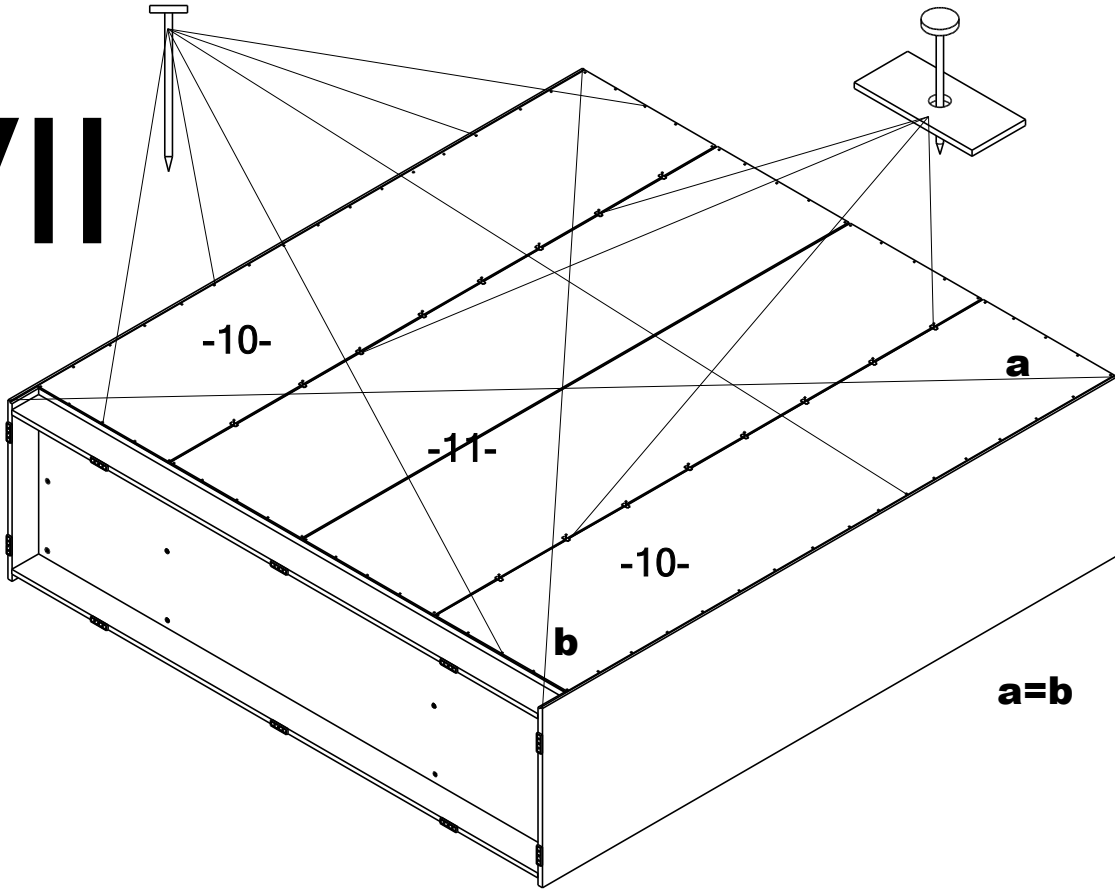


IV

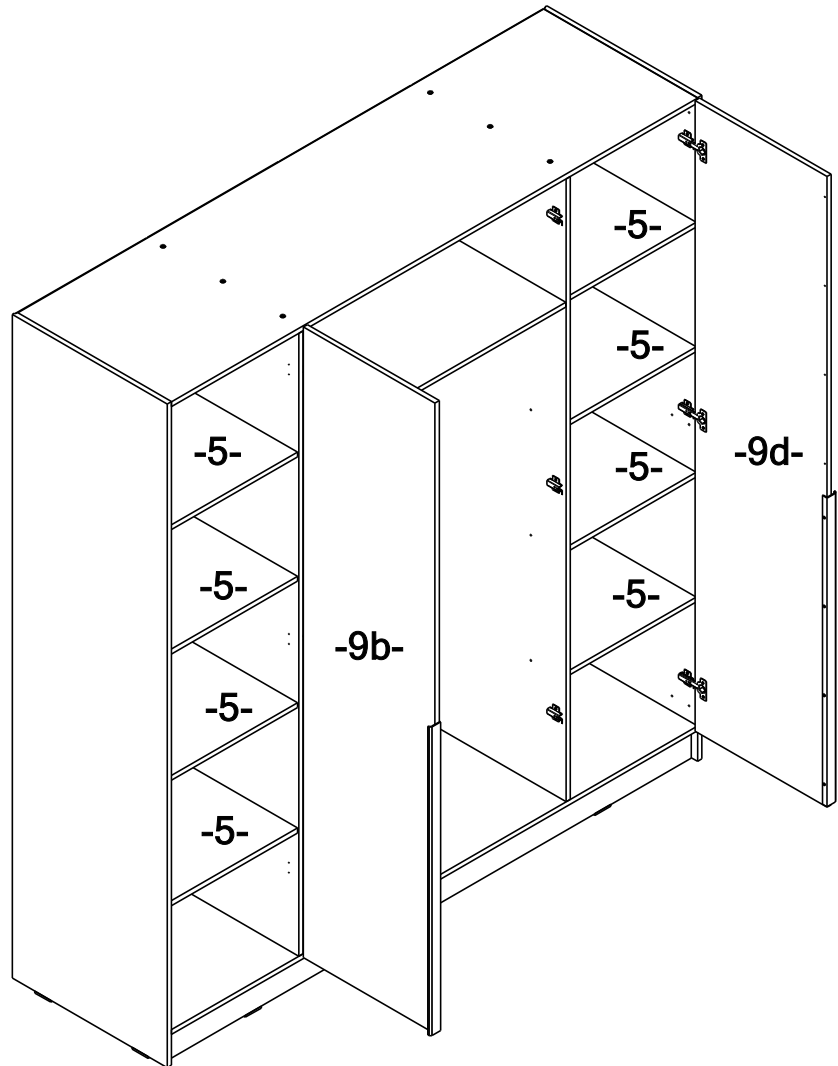
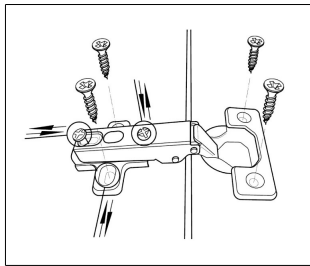




# VII



# VIII





# IX

