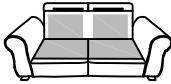
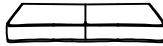
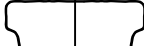



 <p>2226-L(KANVASA)</p>	1		2×2 	3×2 
	4×4 	$A \times 4$ 	B 	6.5cm

  	5×2 
---	---

