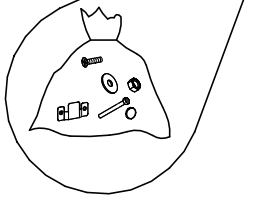
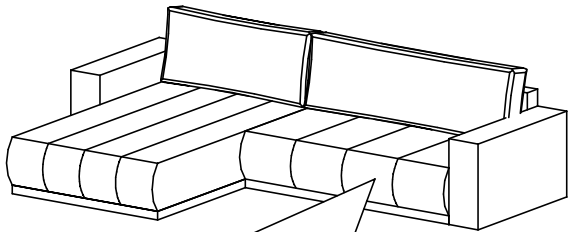
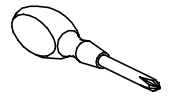
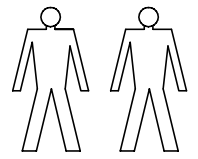
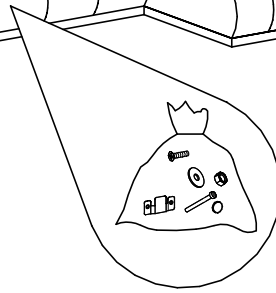
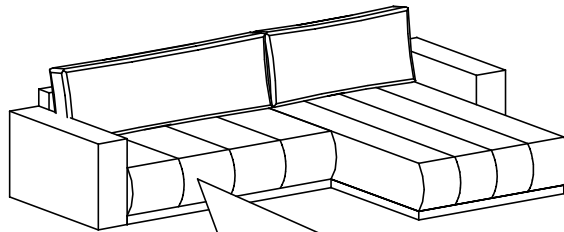


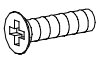
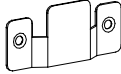
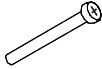

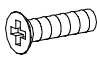
# MORRI

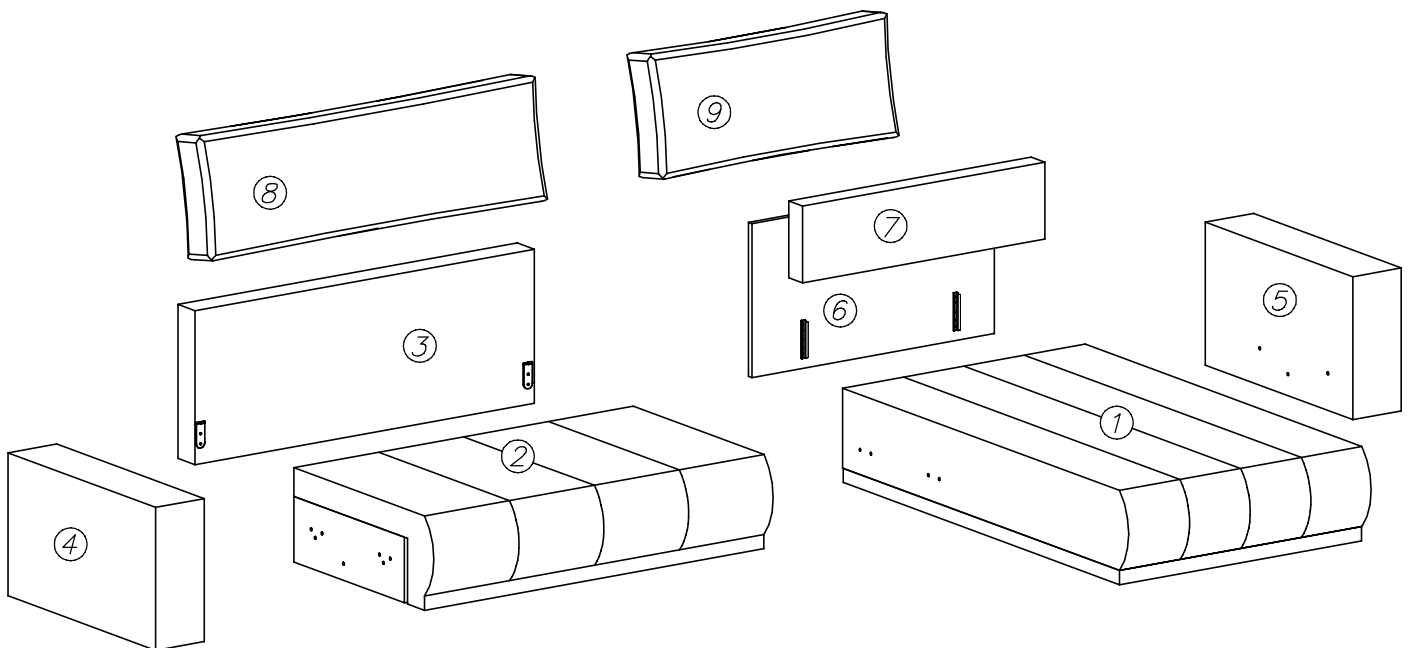
NAROŻNIK LEWY



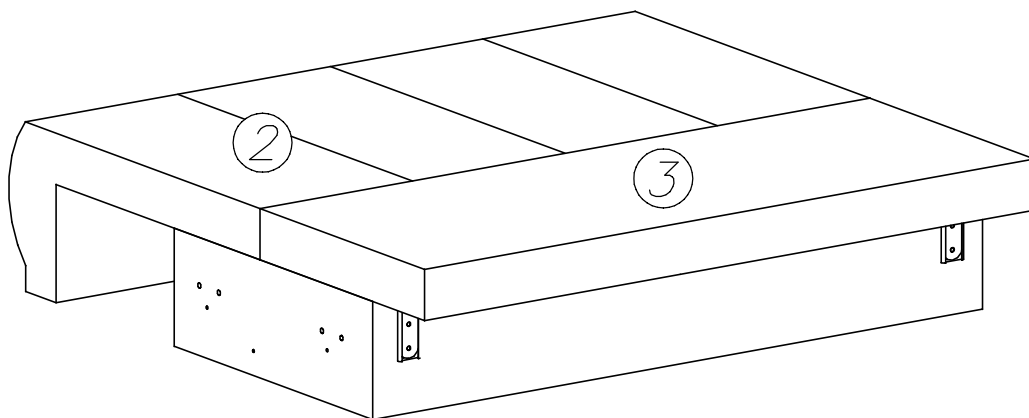
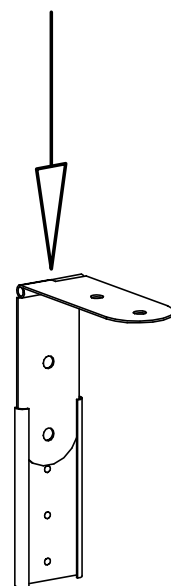
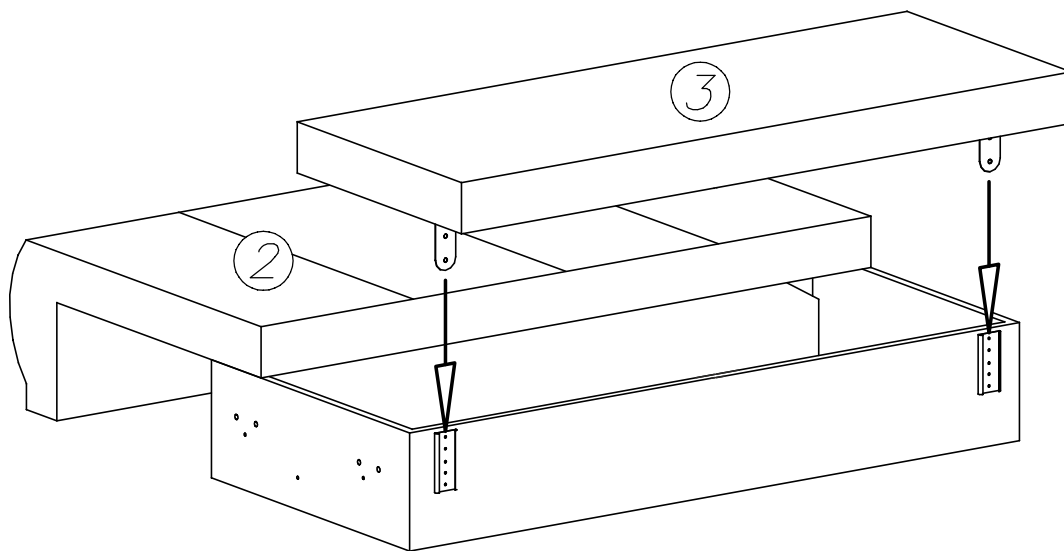
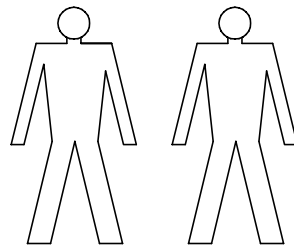
NAROŻNIK PRAWY



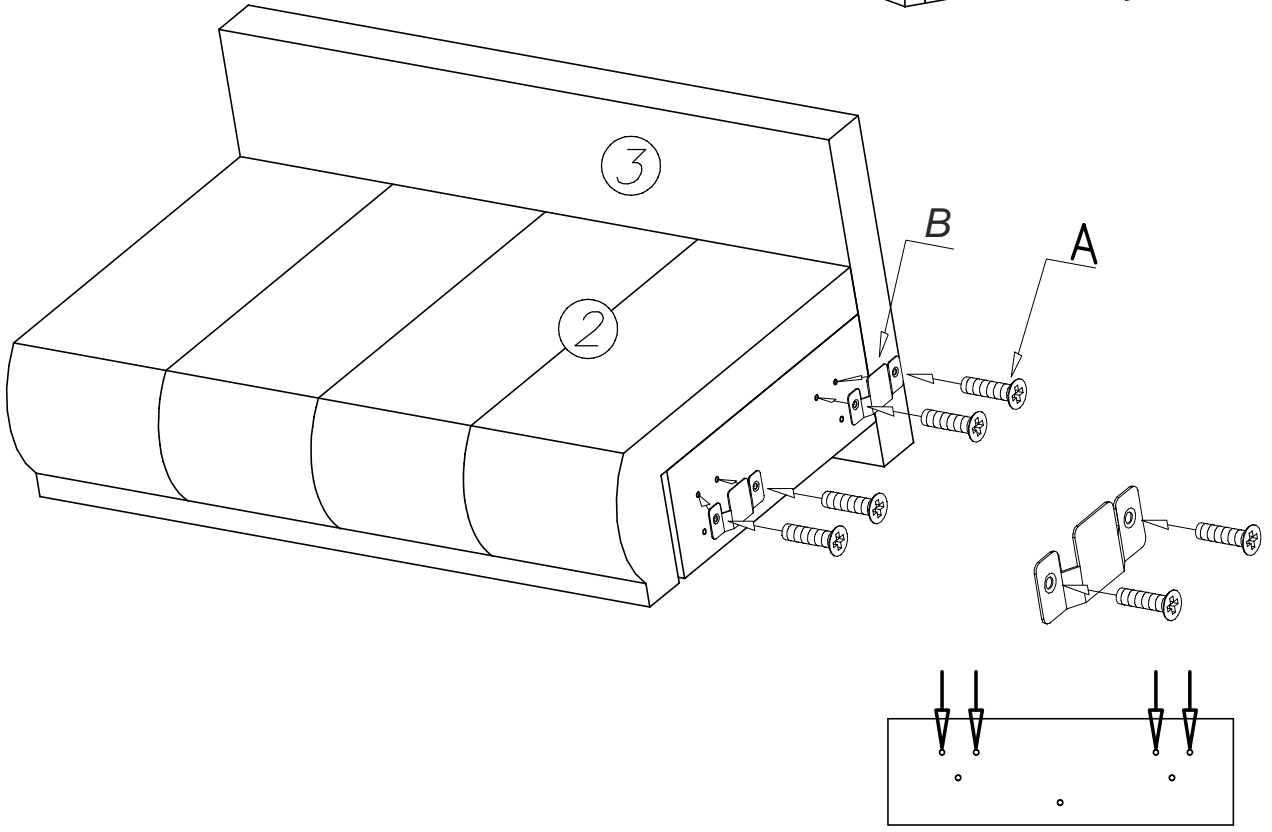
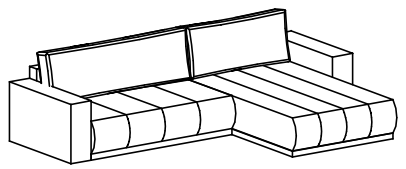
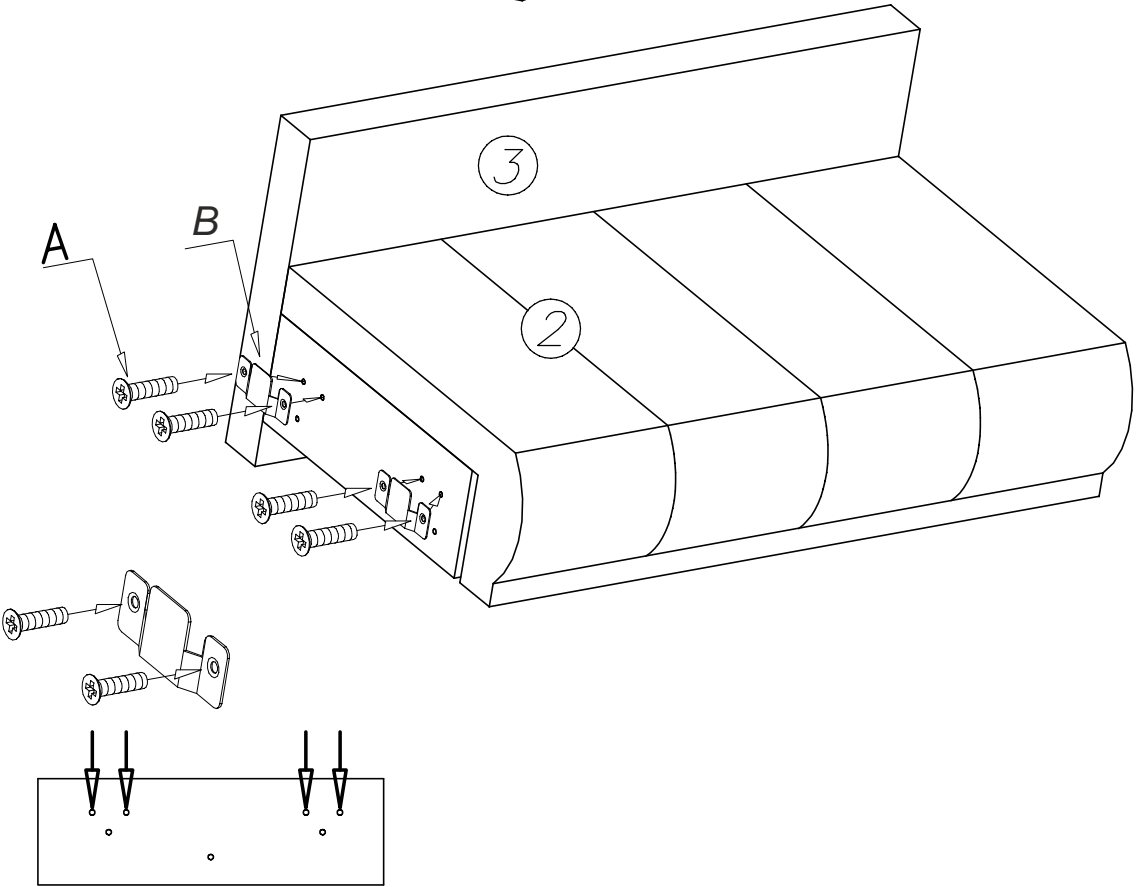
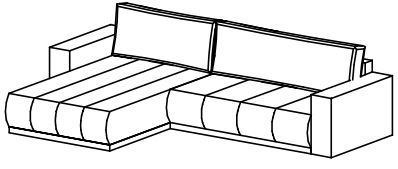
<b>A</b>  M6x20 4x	<b>B</b>  4x	<b>C</b>  M6x70 6x	<b>D</b>  Ø8 8x	<b>E</b>  M6x40 4x
-----------------------------------------------------------------------------------------------------------	------------------------------------------------------------------------------------------------------	------------------------------------------------------------------------------------------------------------	---------------------------------------------------------------------------------------------------------	------------------------------------------------------------------------------------------------------------

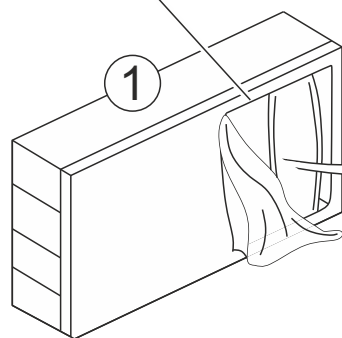
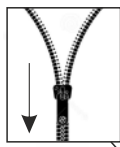
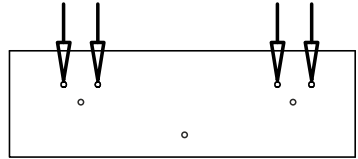
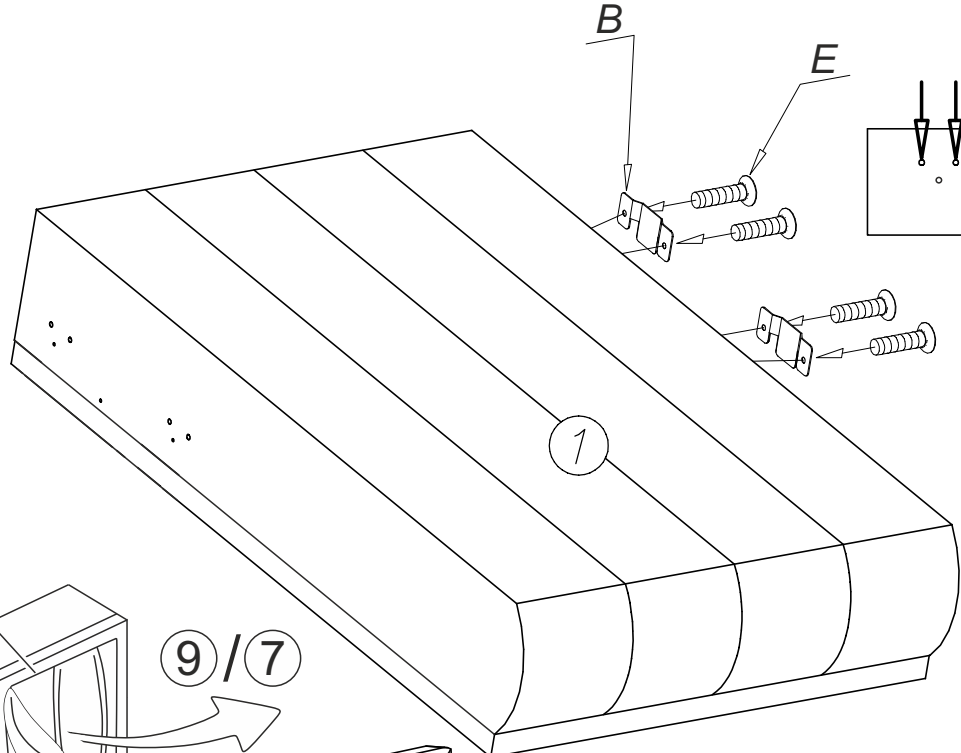
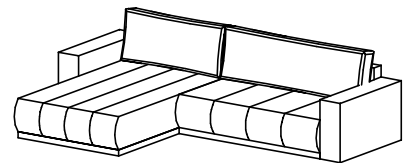


1

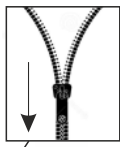
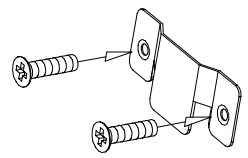
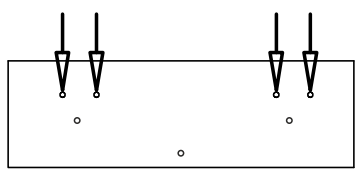
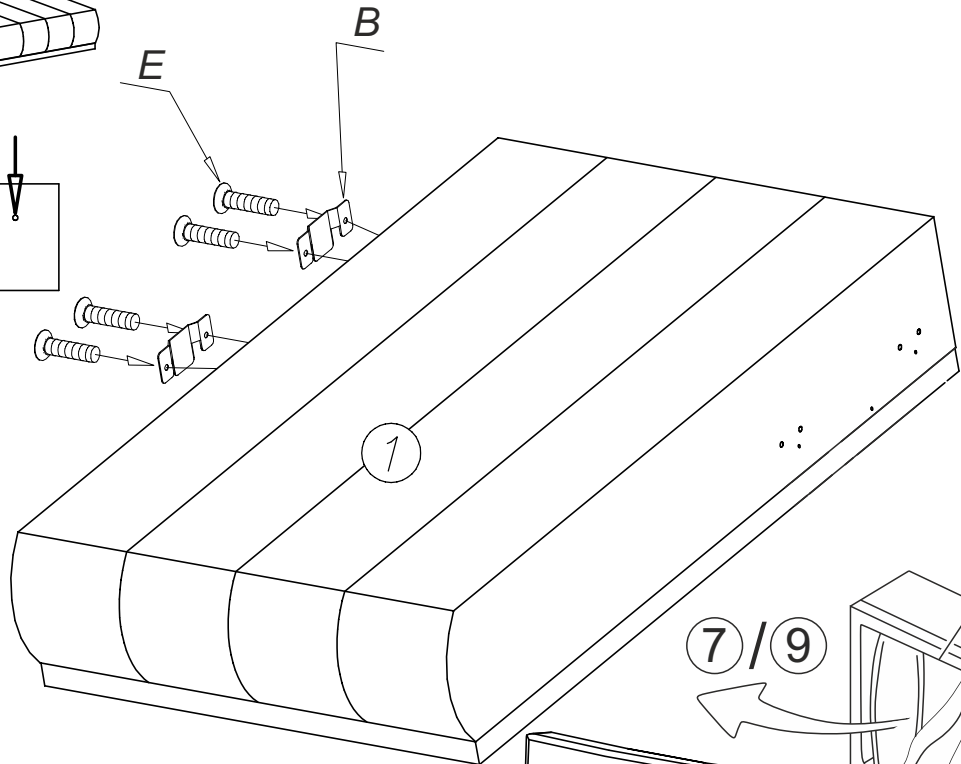
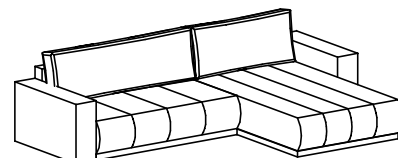
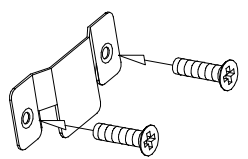
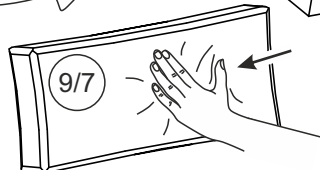


2

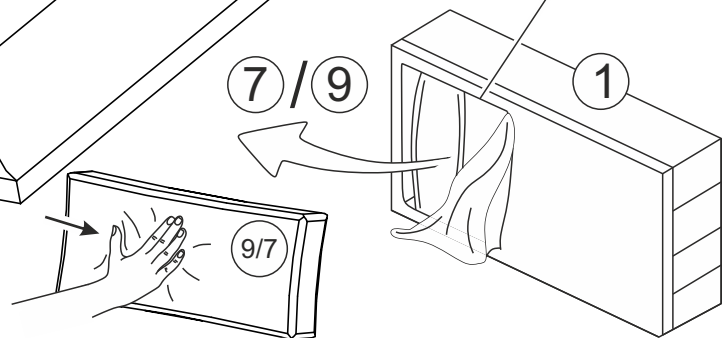


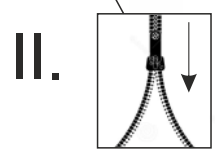
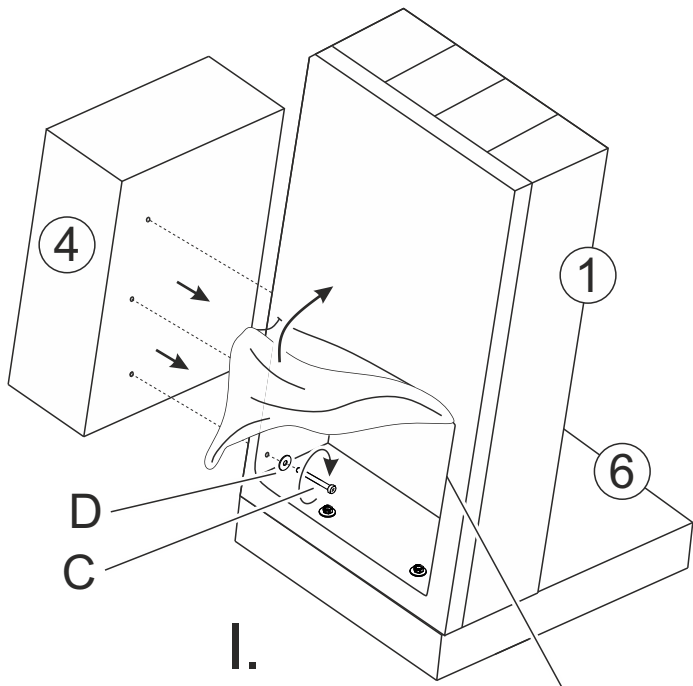
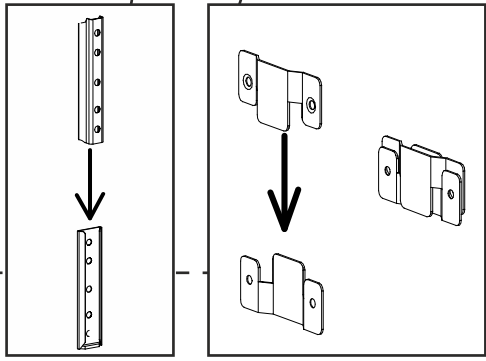
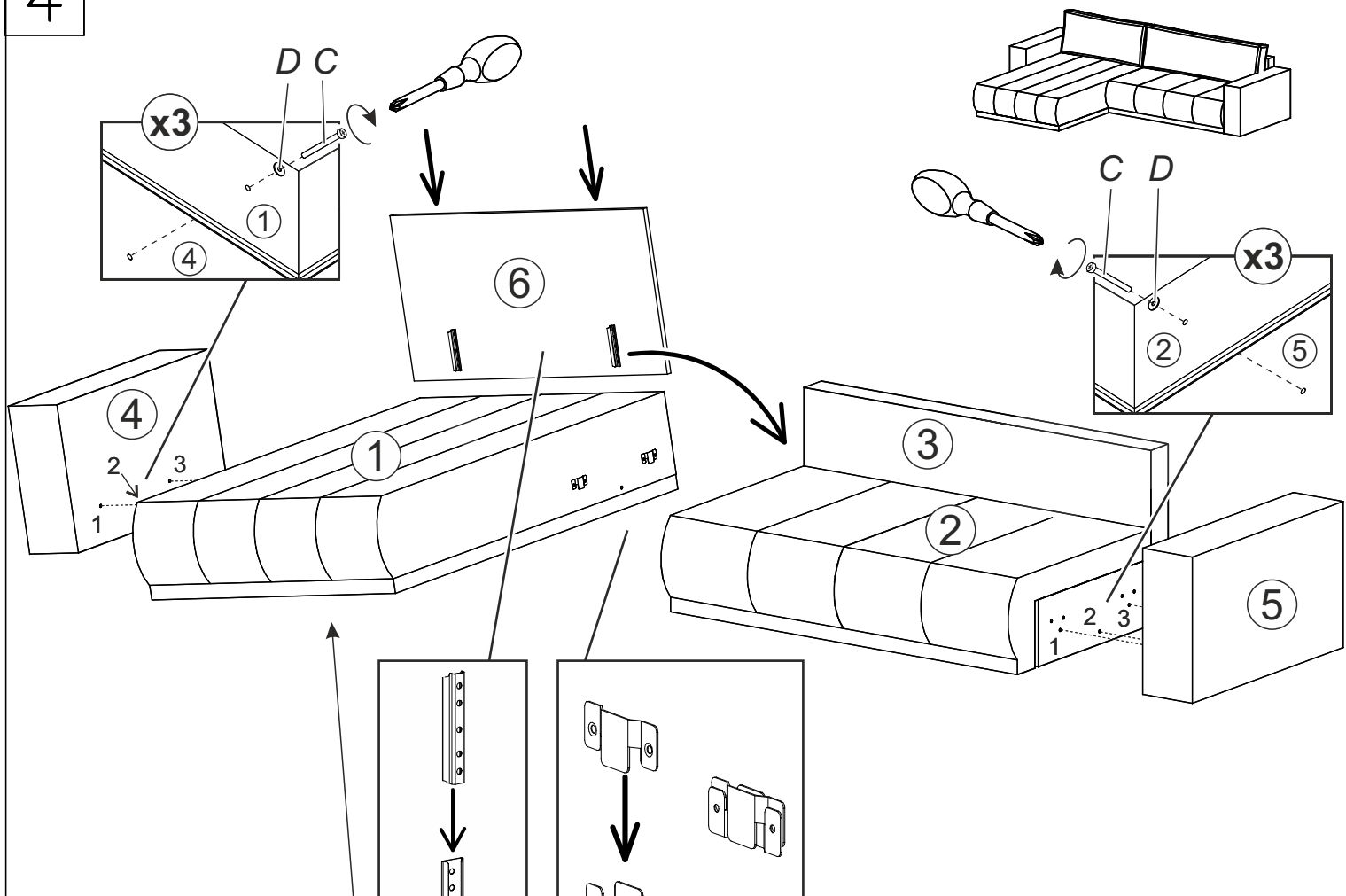


9 / 7

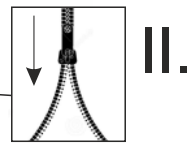
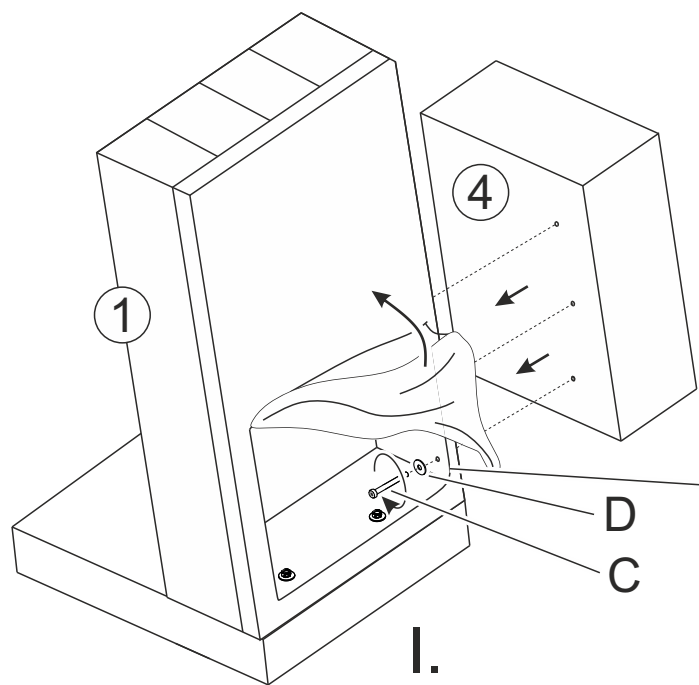
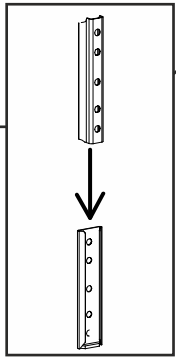
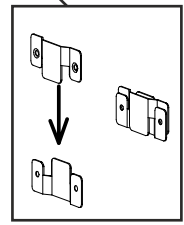
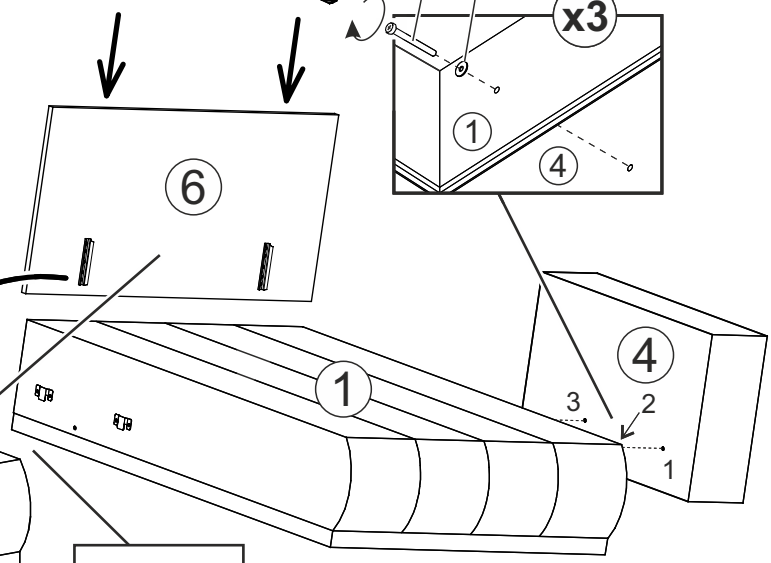
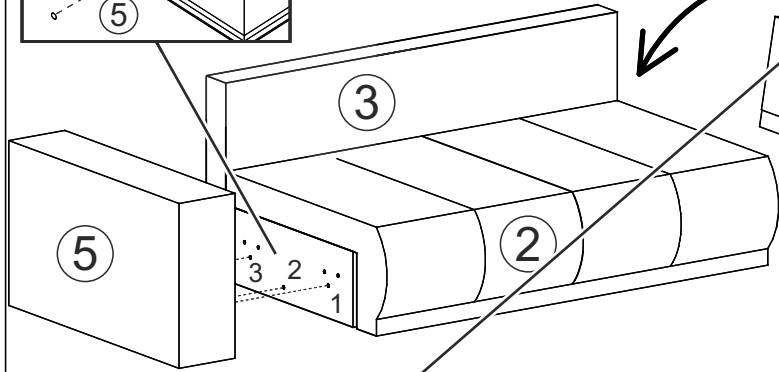
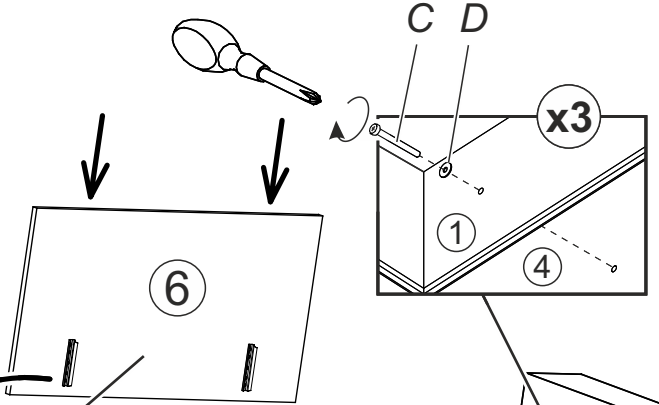
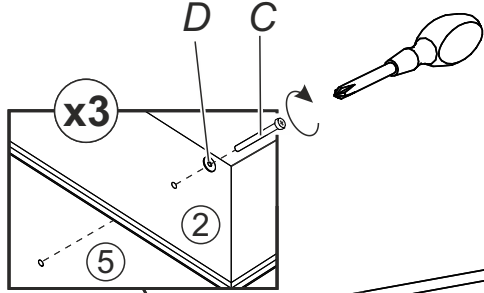
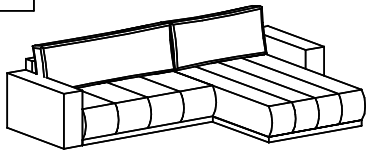


7 / 9





4



5

