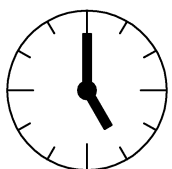
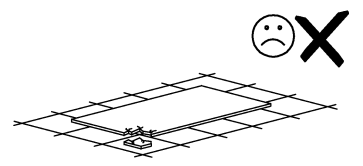
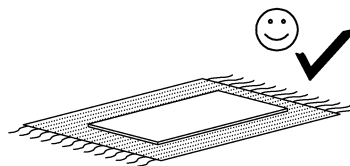
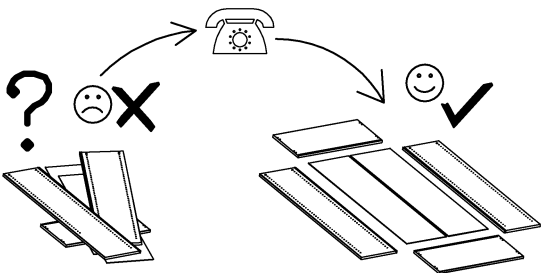
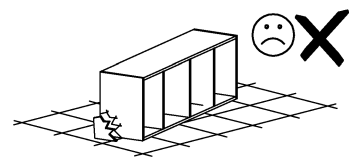
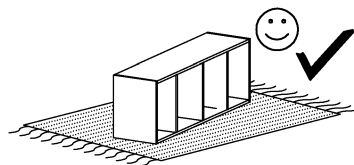
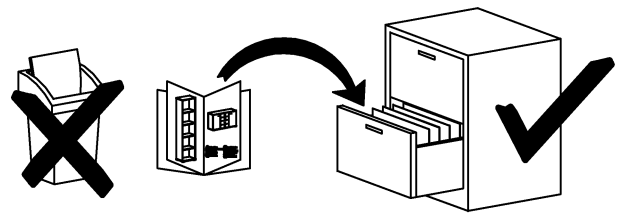
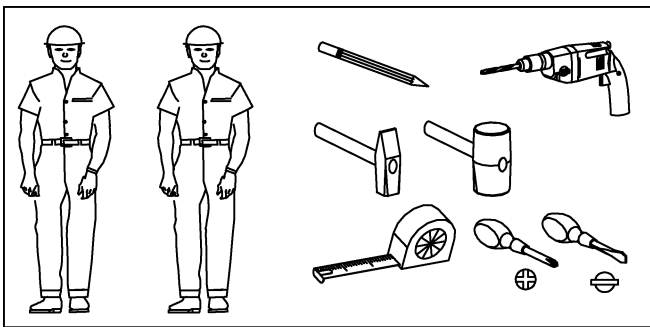
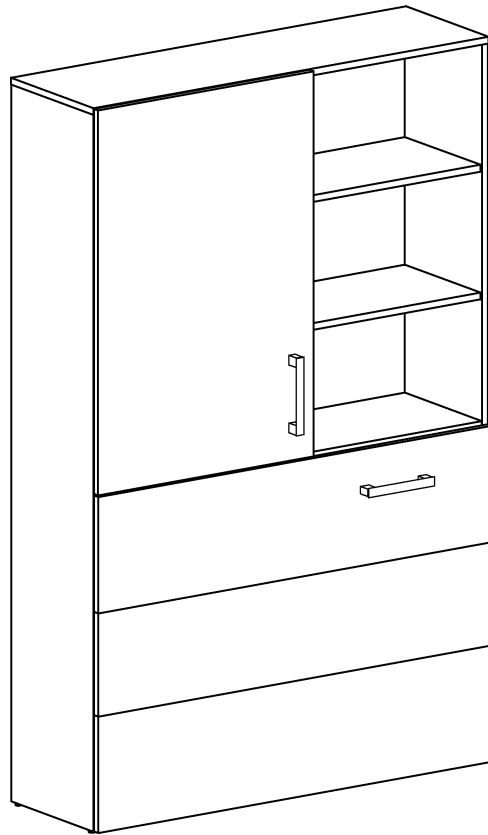
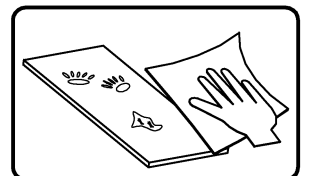
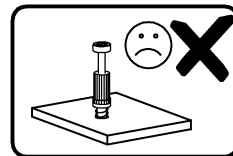
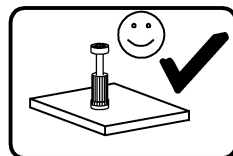
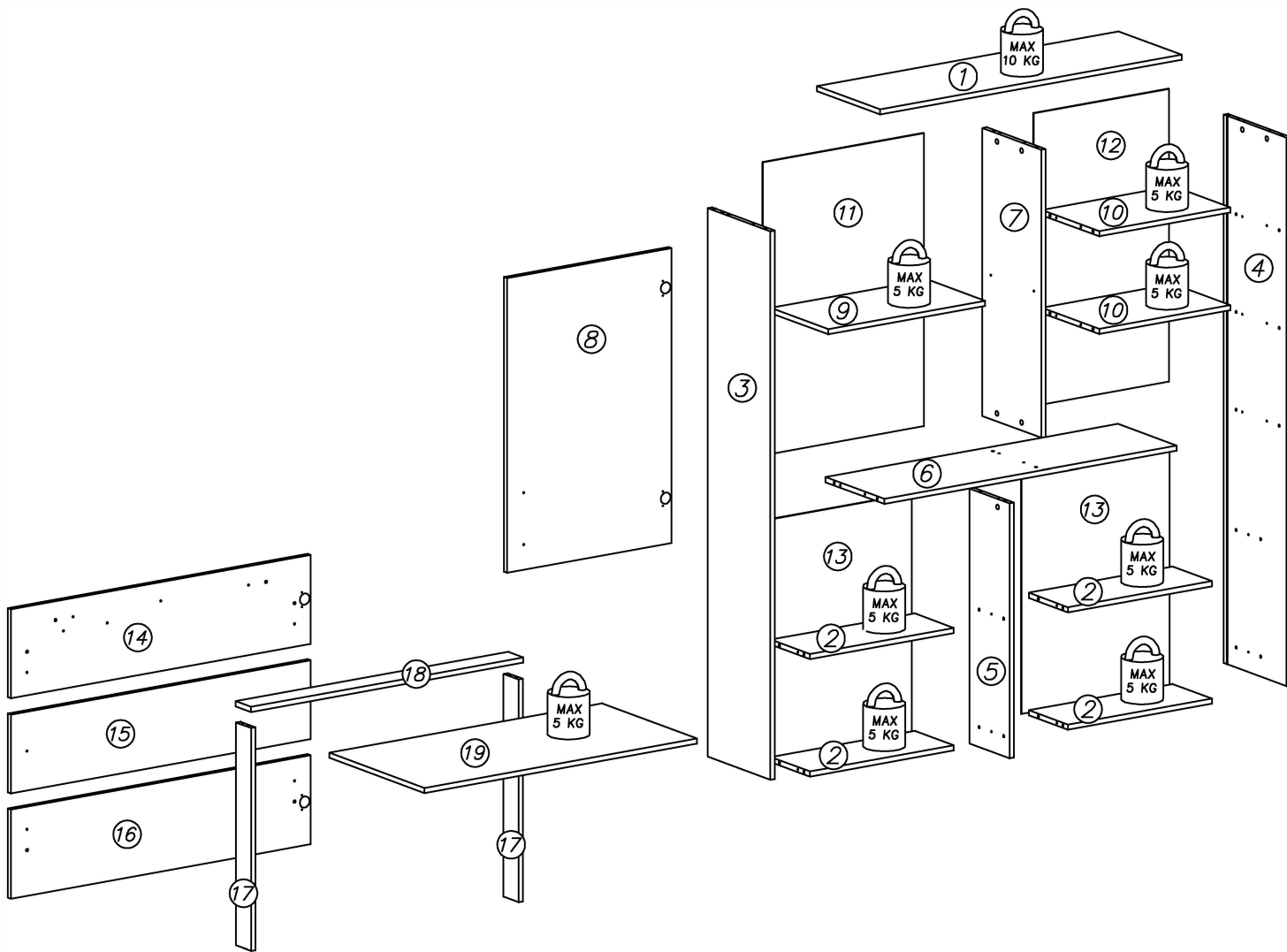
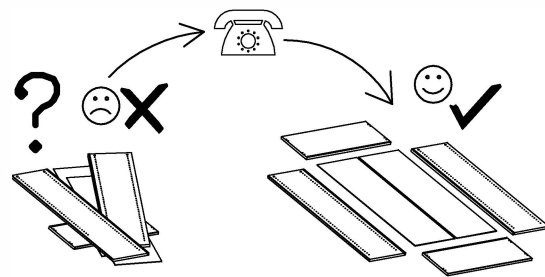
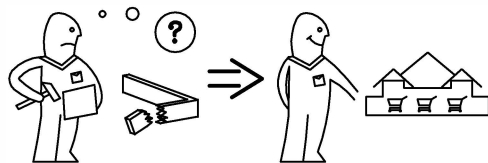
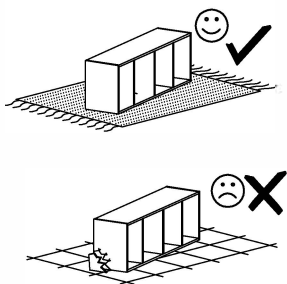


OXFORD



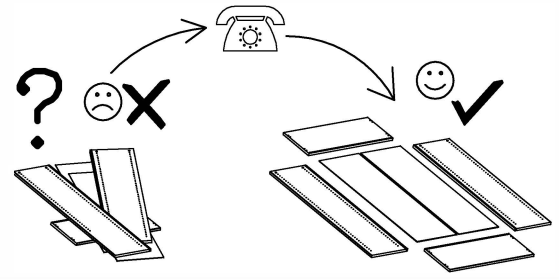
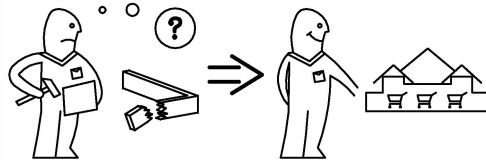
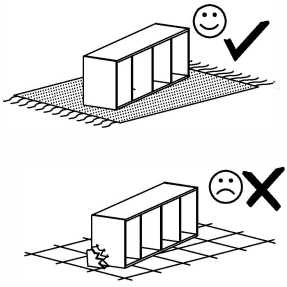
1,5h



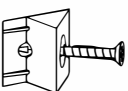


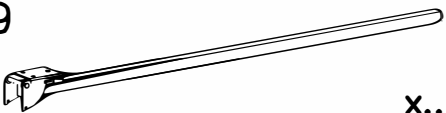
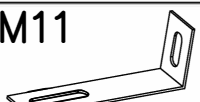

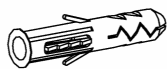
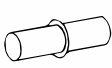



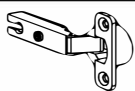


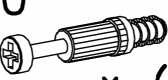






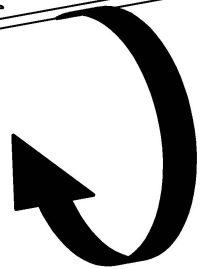
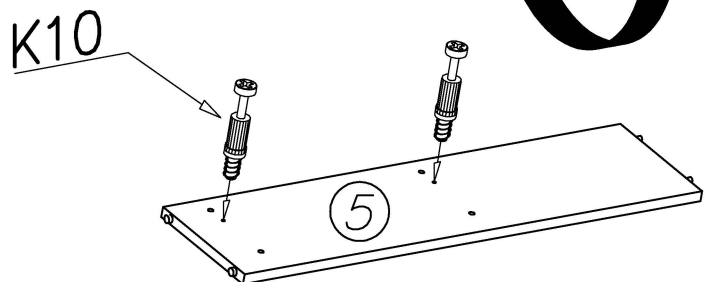
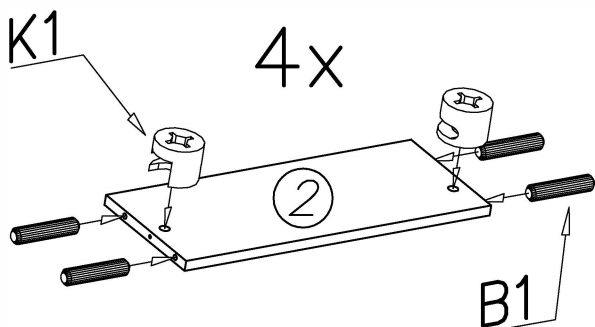
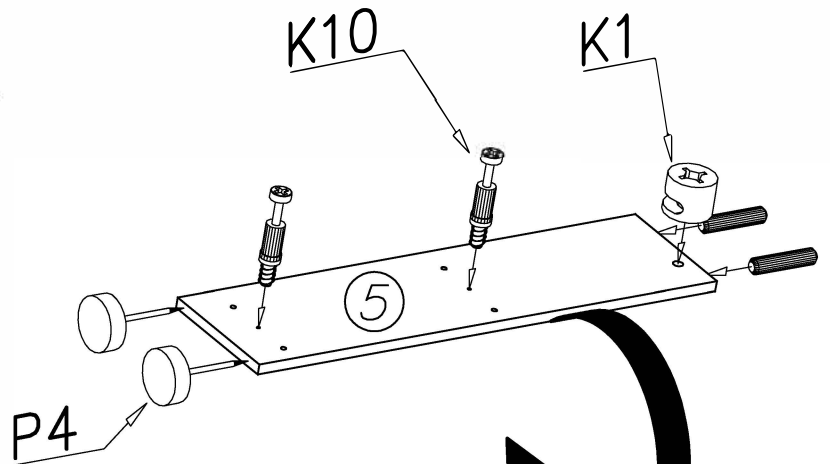
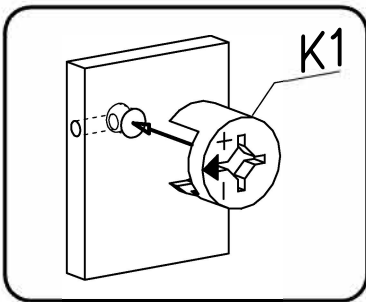
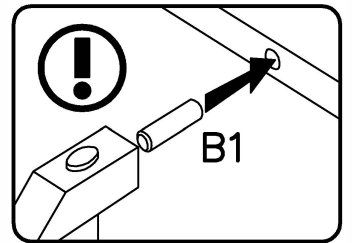
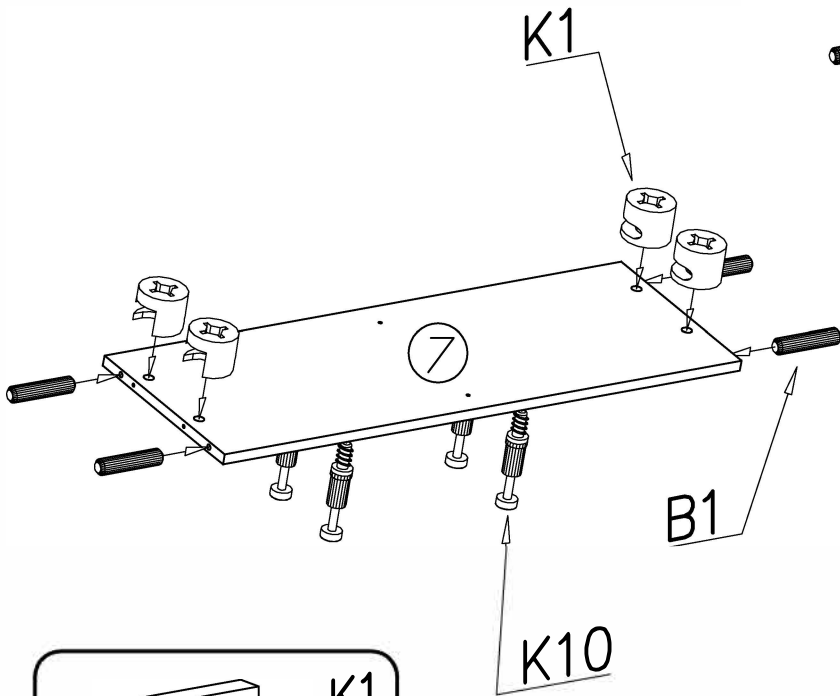
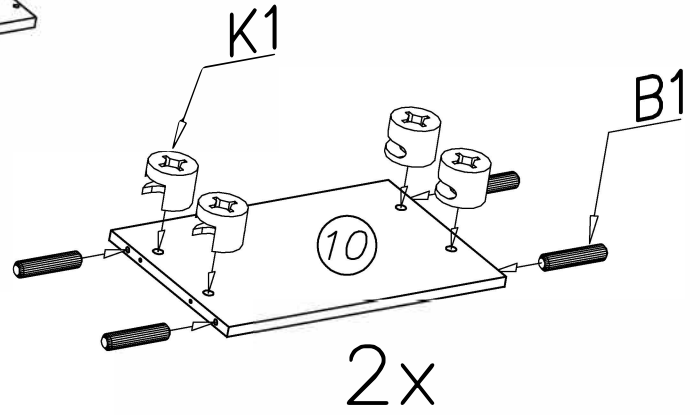
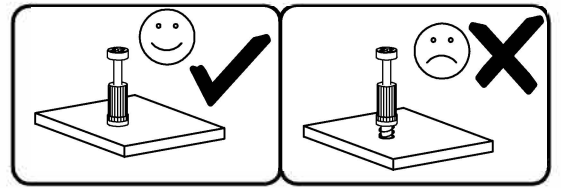
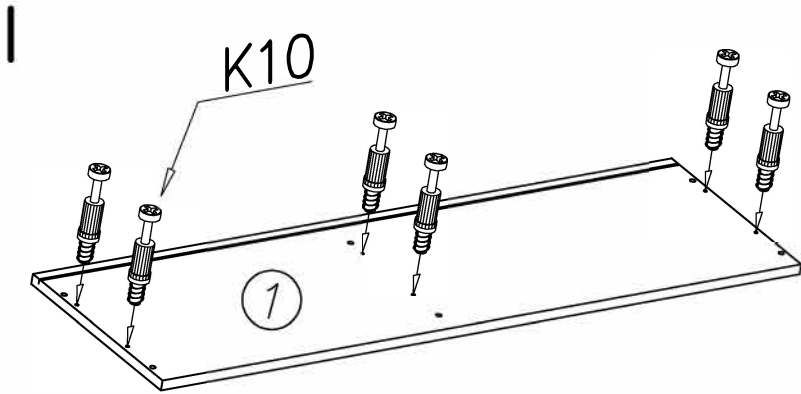
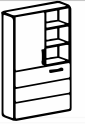


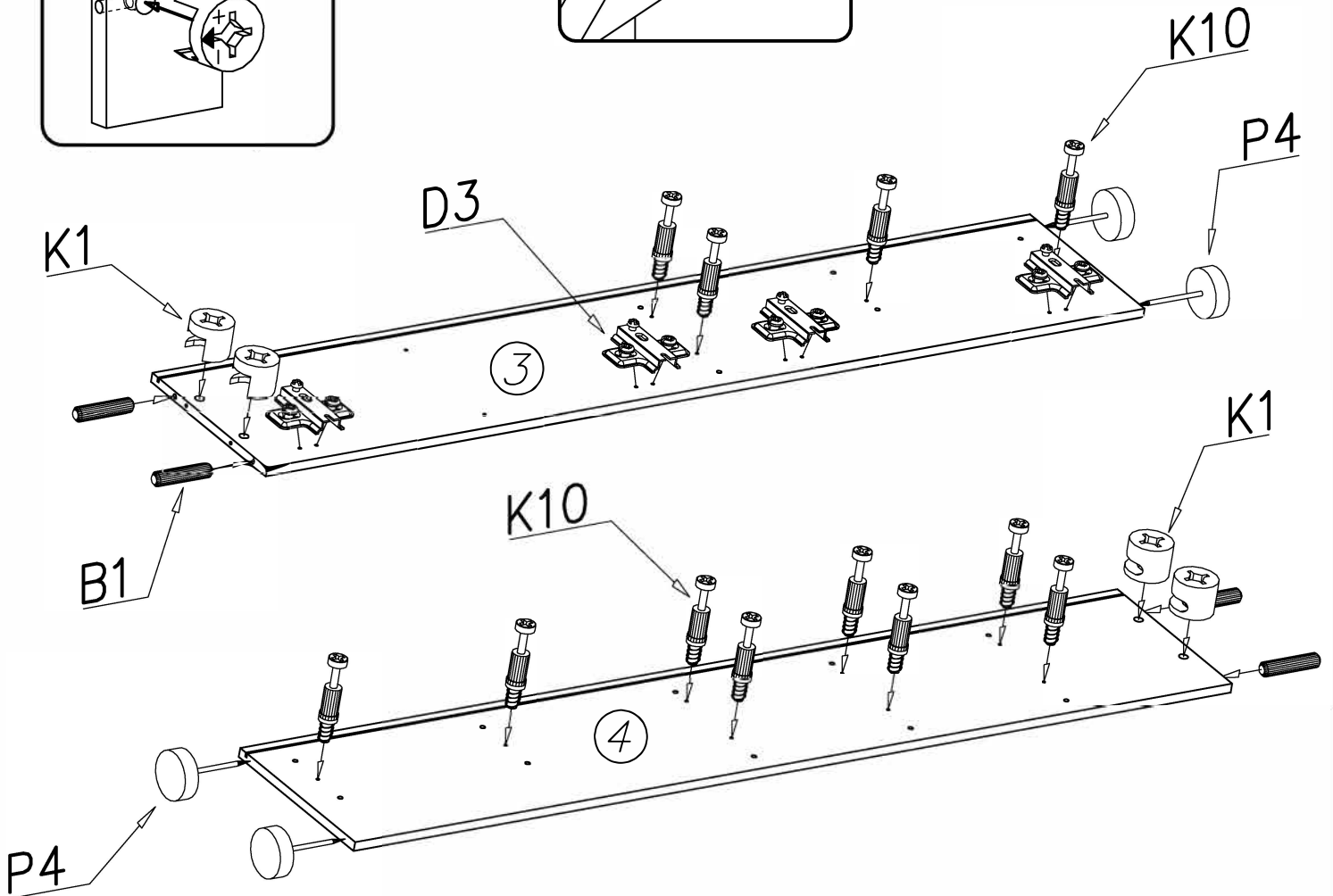
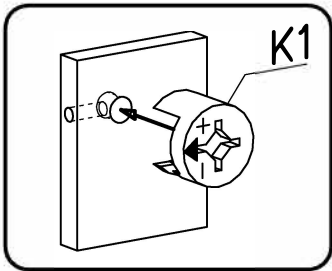
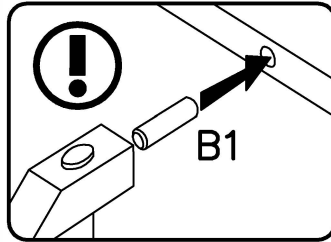
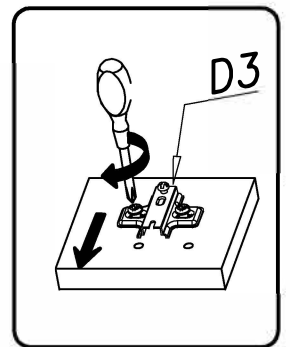
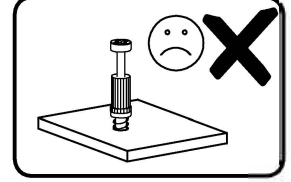
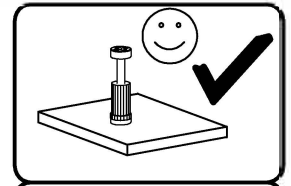
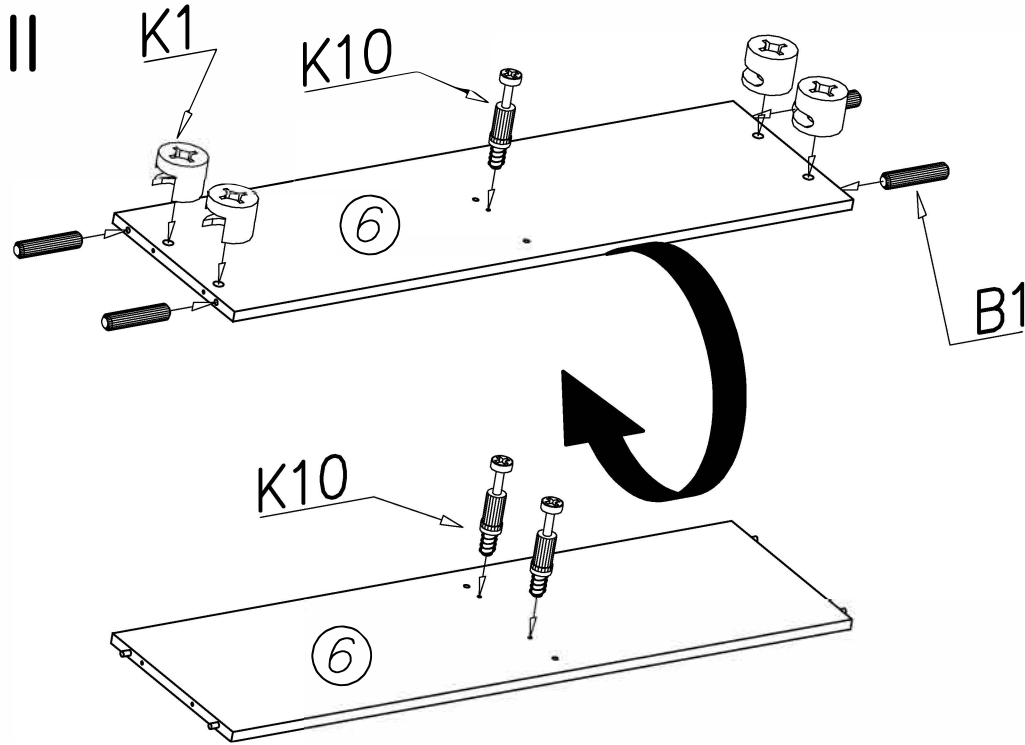
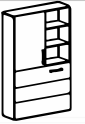
nr	L[mm]	B[mm]	T[mm]	Menge	Coll
1	1100	328	16	1	1/3
2	525	202	16	4	1/3
3	1694	328	16	1	2/3
4	1694	328	16	1	2/3
5	788	204	16	1	3/3
6	1066	308	16	1	1/3
7	890	308	16	1	2/3
8	910	600	16	1	3/3
9	574	300	16	2	2/3

nr	L[mm]	B[mm]	T[mm]	Menge	Coll
10	476	300	16	2	3/3
11	902	587	3	1	3/3
12	902	489	3	1	3/3
13	369	1078	3	1	1/3
14	1094	274	16	1	1/3
15	1094	244	16	1	1/3
16	1094	270	16	1	1/3
17	680	79	16	2	1/3
18	994	79	16	1	3/3
19	994	496	16	2	3/3



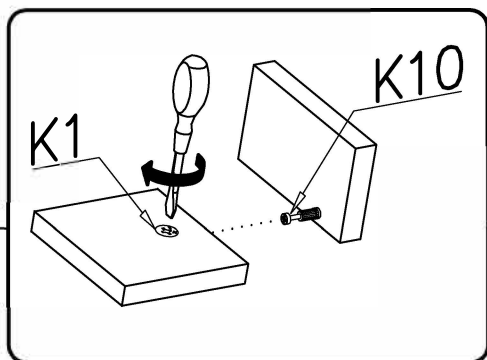
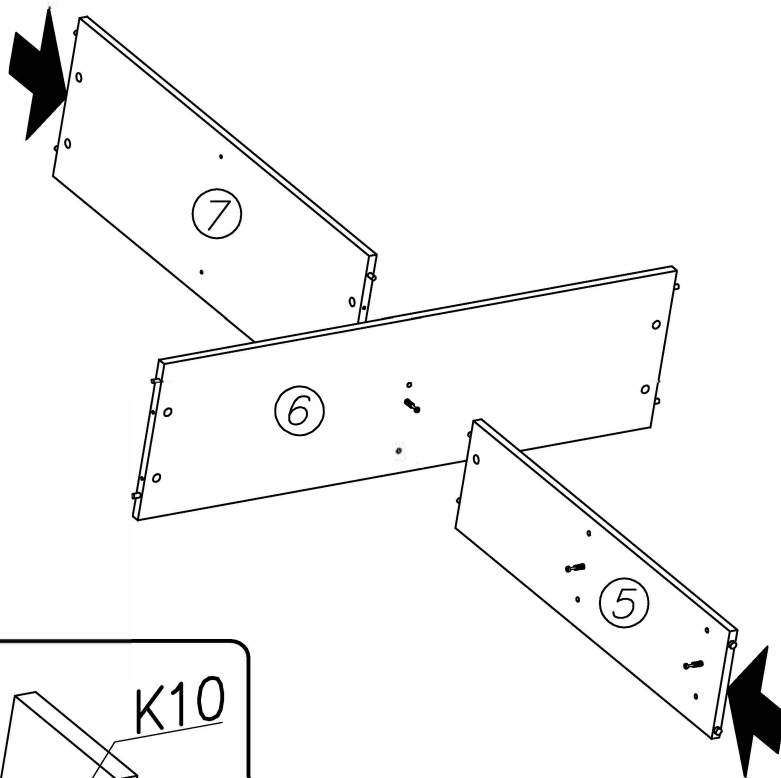
G8  4x30 x...(4)	G34  4x16 x...(18)			
I1  x...(14)	E17  128mm x...(2)	C17  x...(2)	P19  x...(2)	
M11  x...(2)	G28  4x60 x...(2)	U6  ø8x40 x...(2)	F2  x...(4)	S2  x...(25)
K1  ø15x12 x...(40)	P40  x...(2)	C3  Z35PR x...(4)	D3  H=2 x...(4)	G34  3,5x16 x...(69)
K10  x...(40)	B1  ø8x35 x...(50)	I7  x...(40)	P4  x...(6)	W1  GLUE, LEIM, LEPIDLO, LIM x...(2)



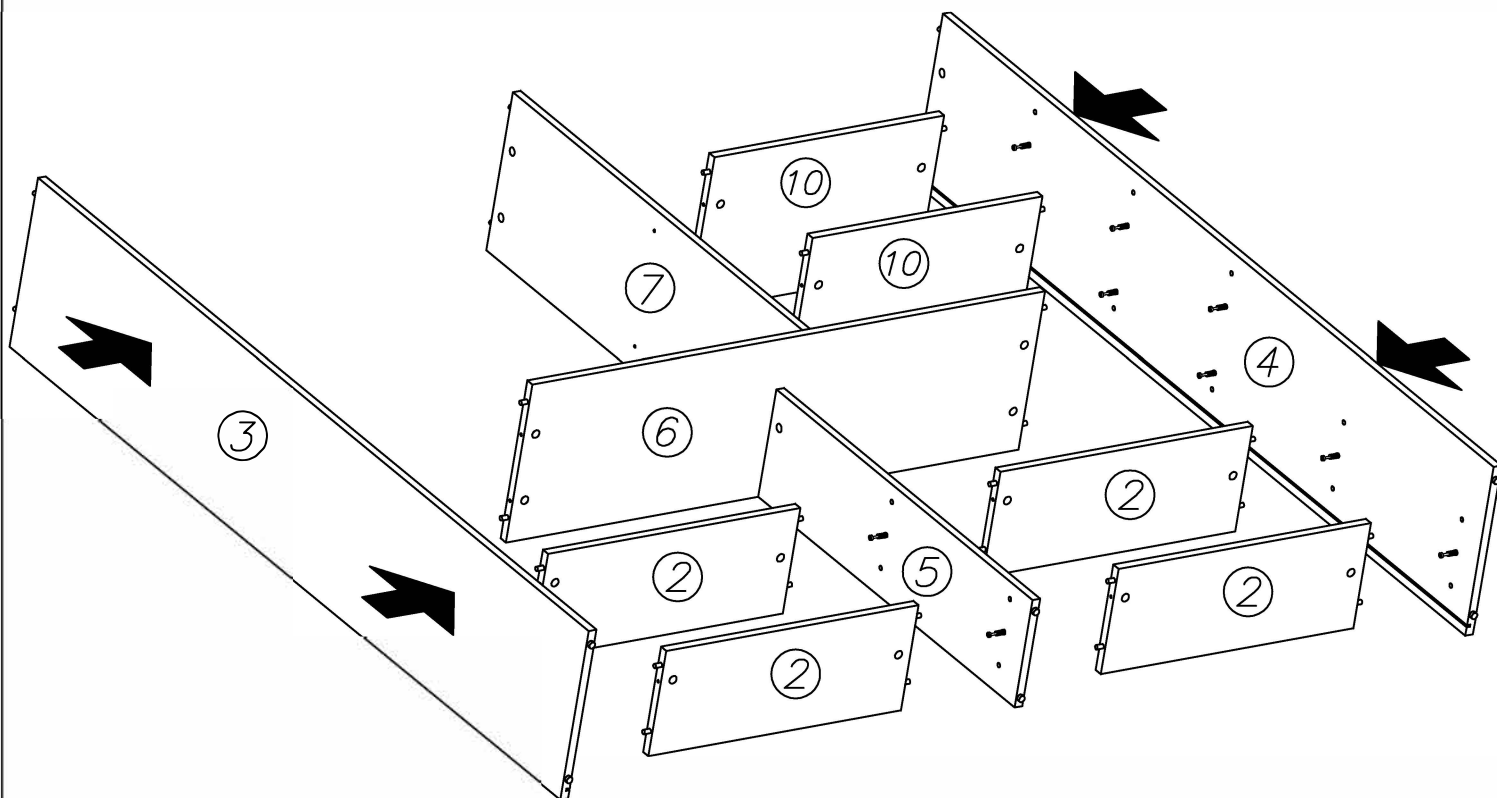




III

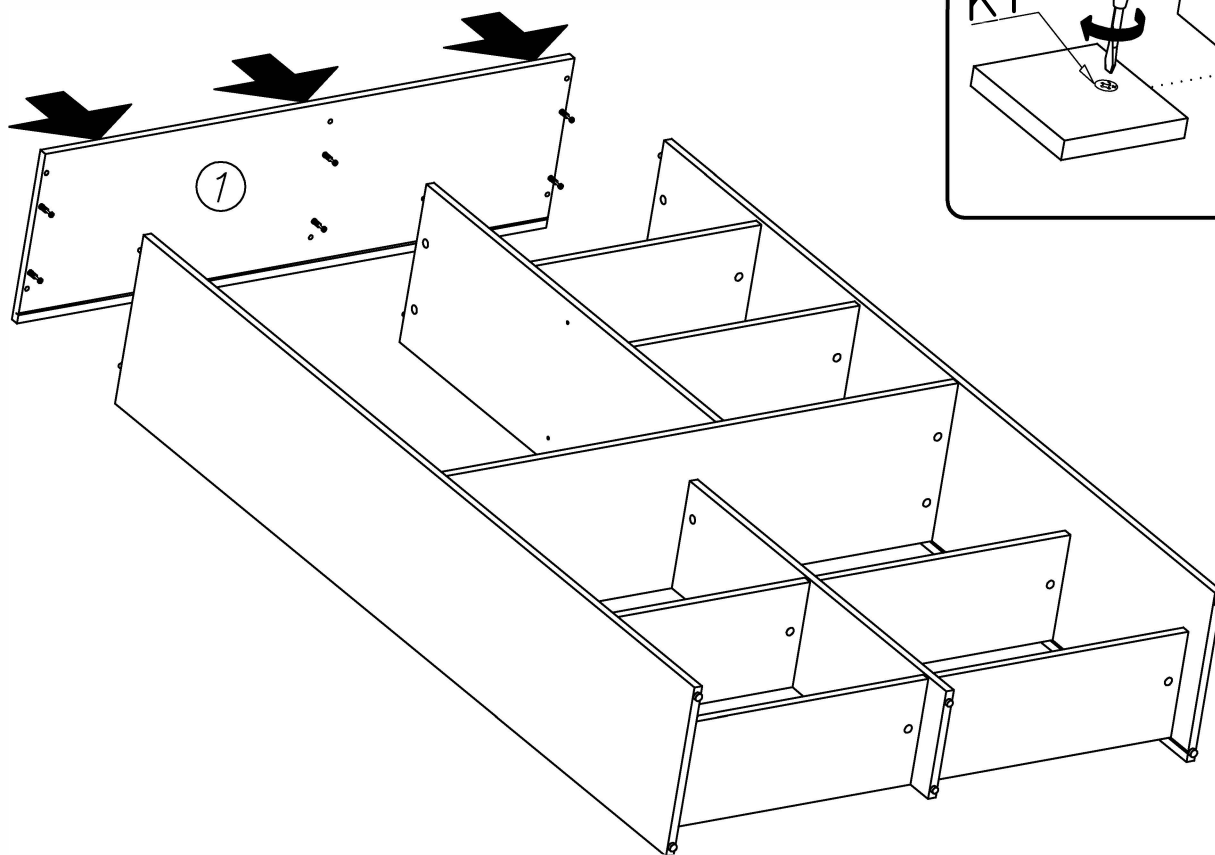


IV

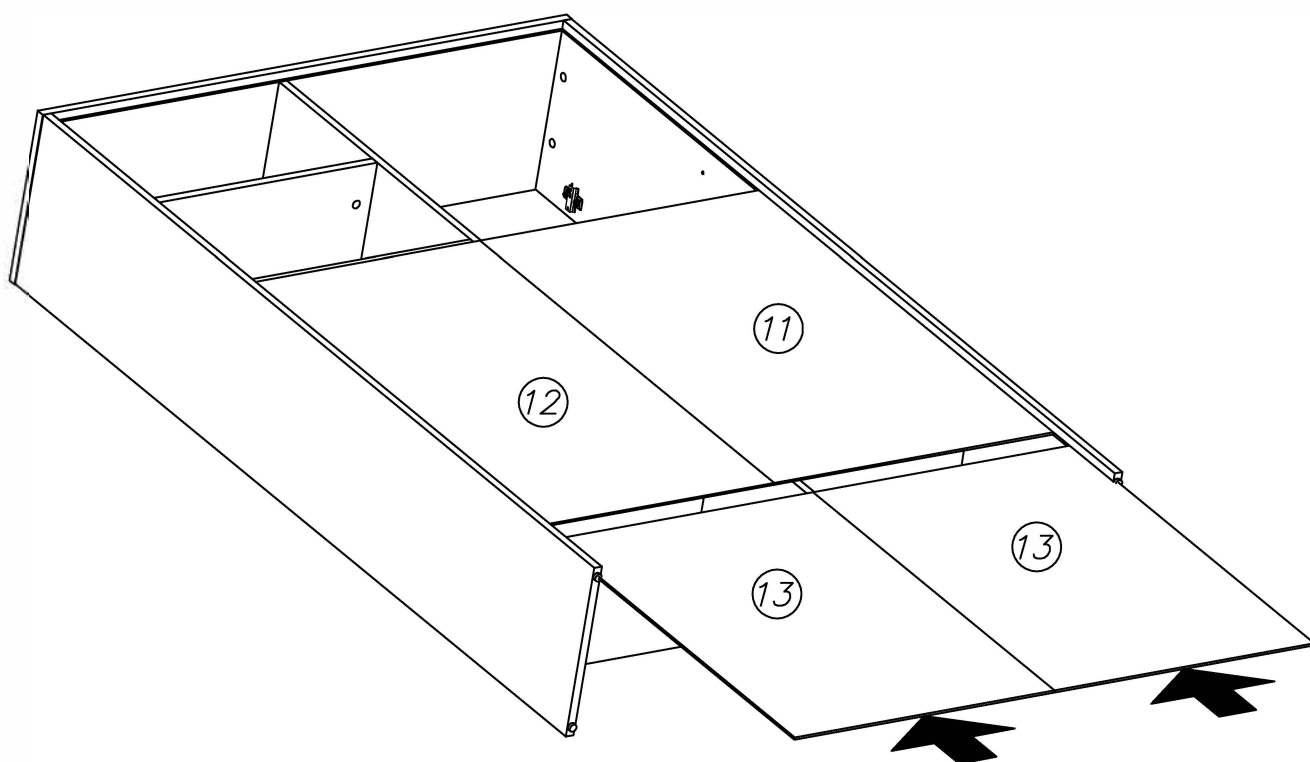


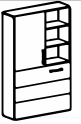


V

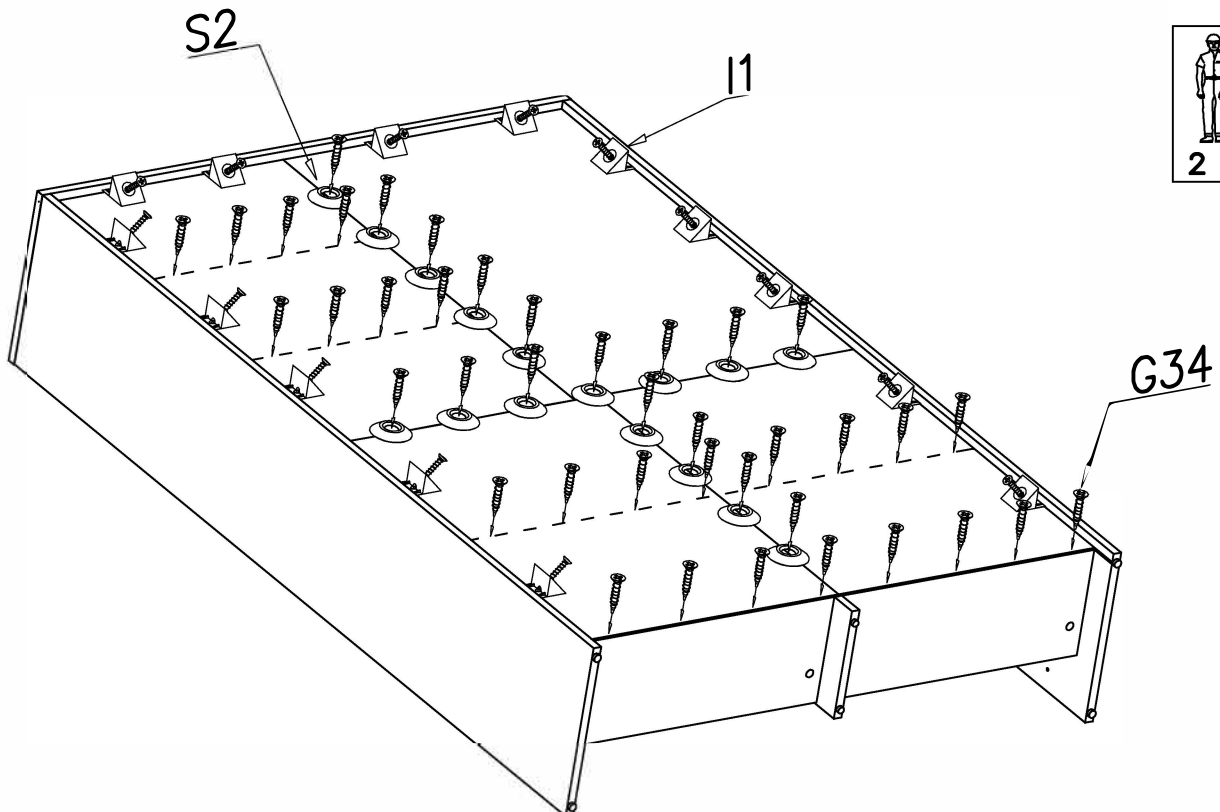
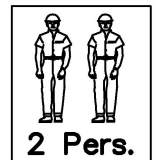
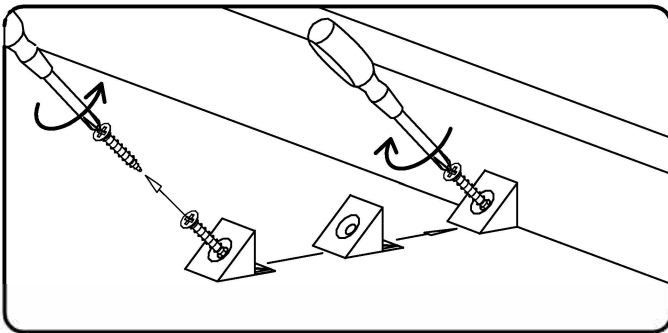
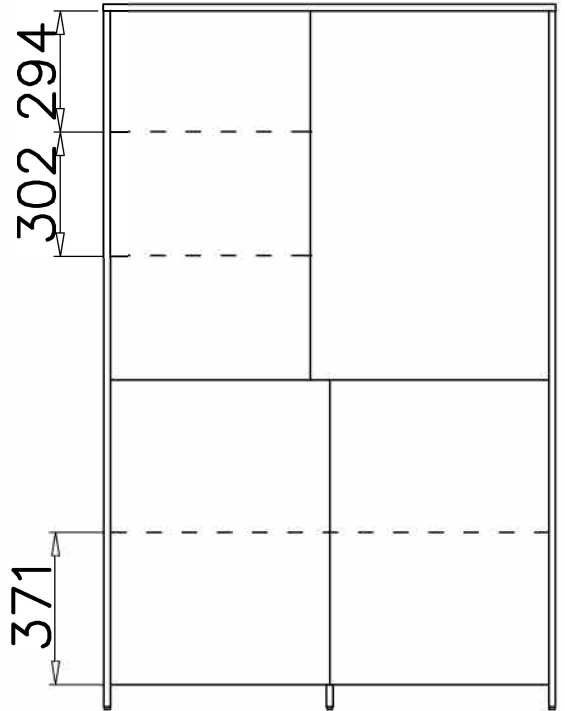
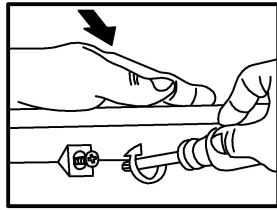
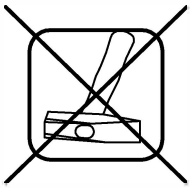
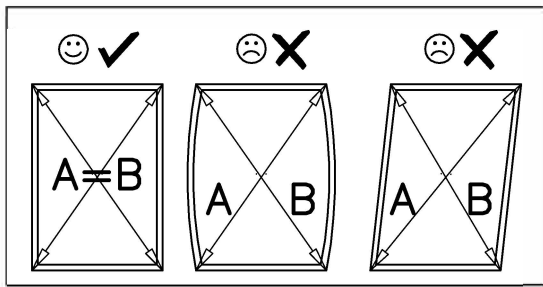


VI



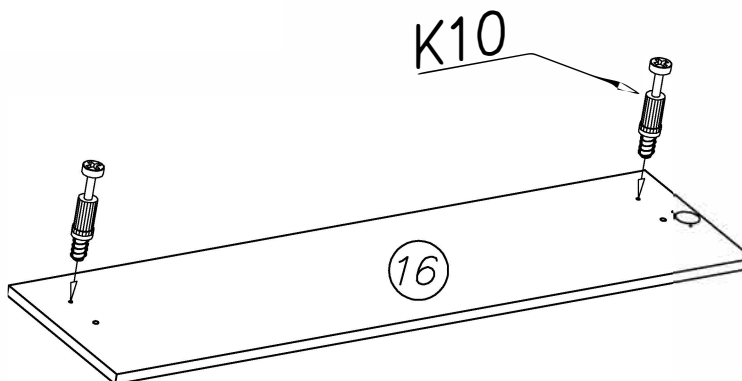
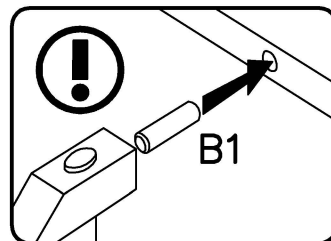
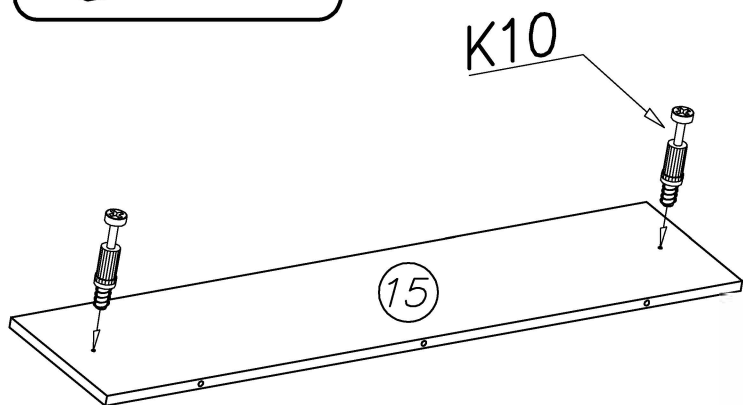
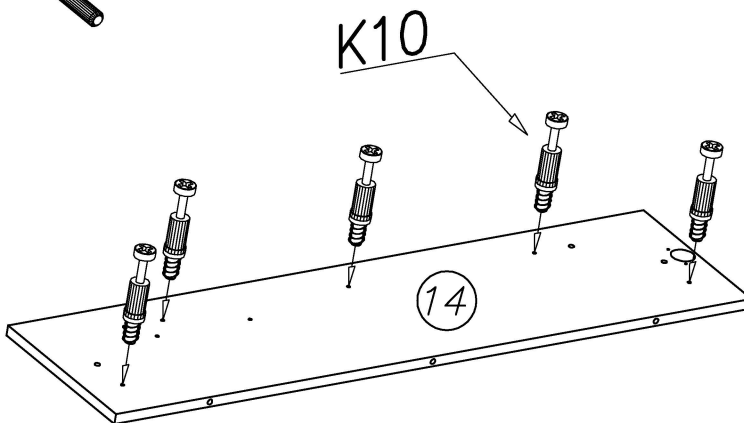
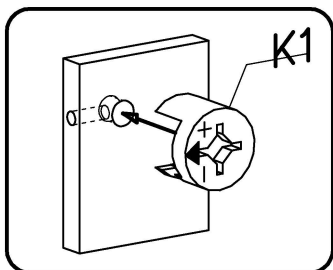
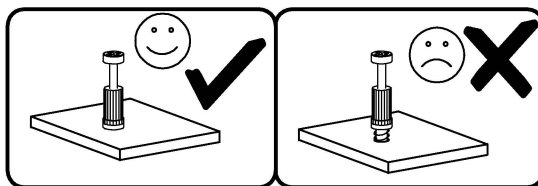
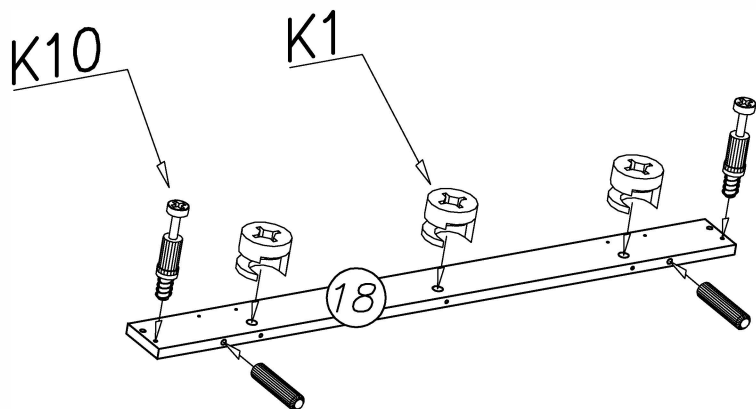
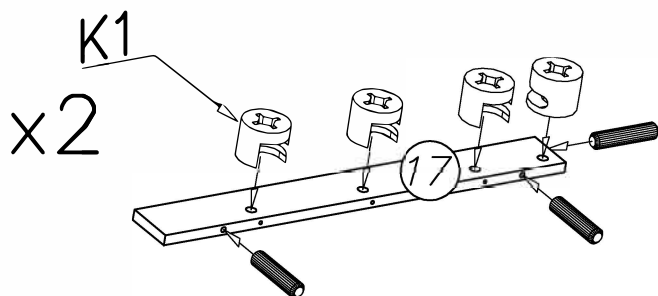


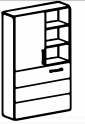
VII



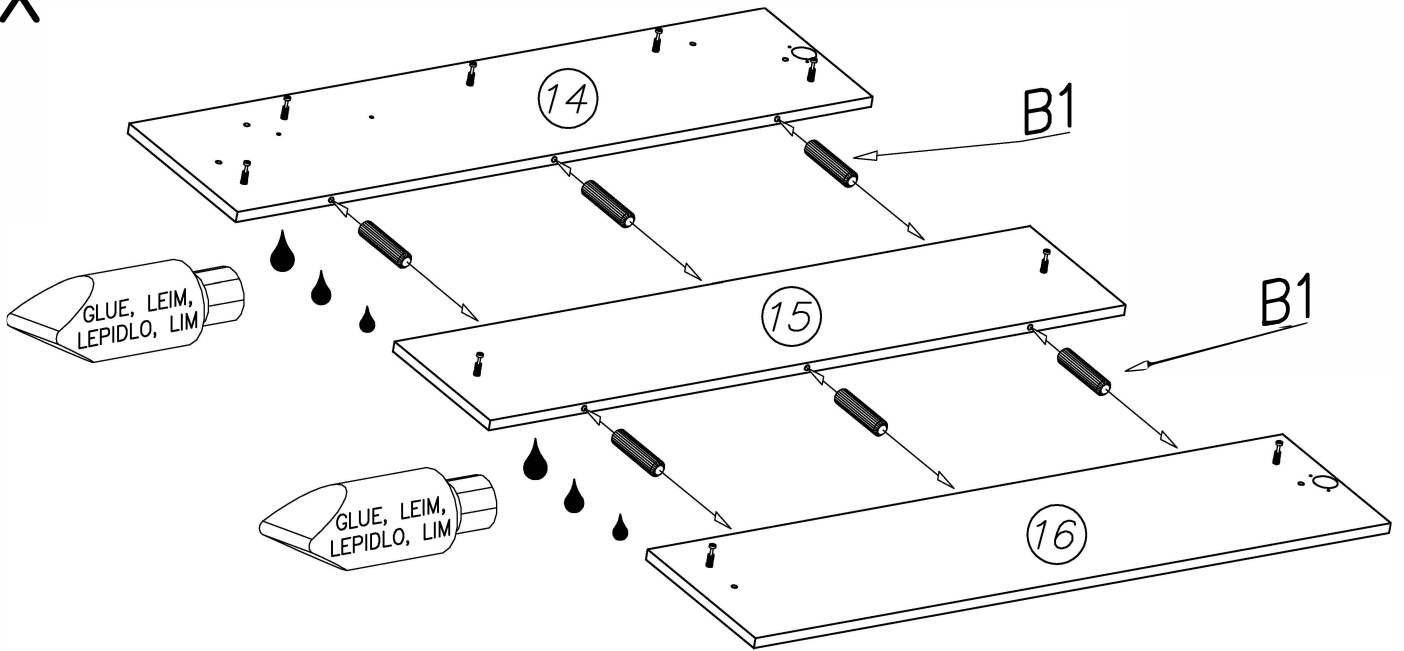


VIII

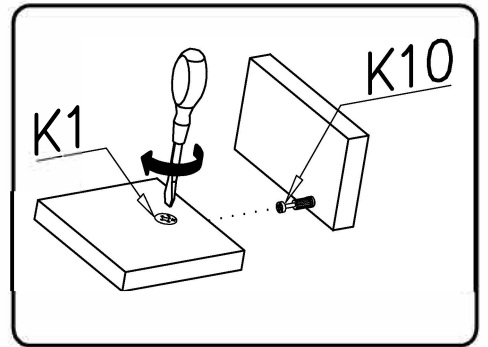
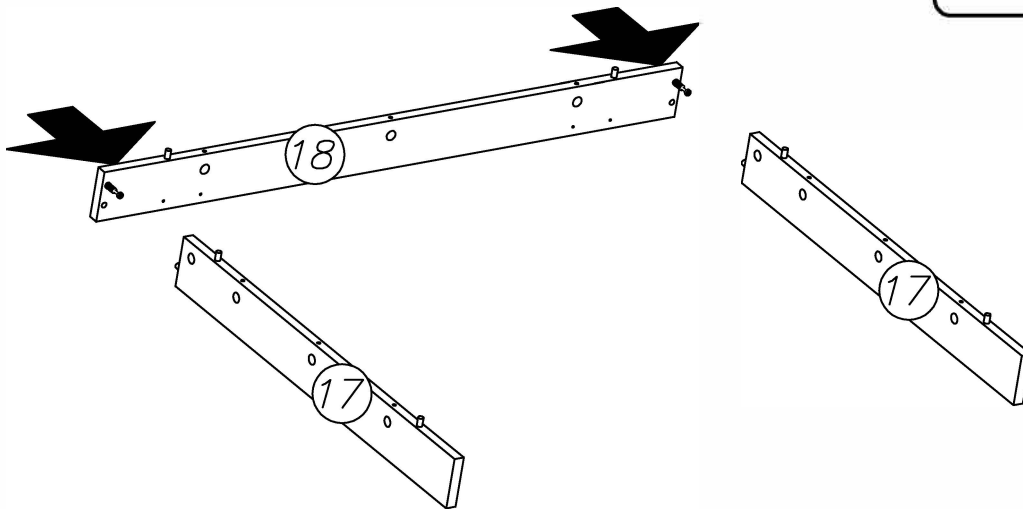


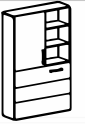


IX

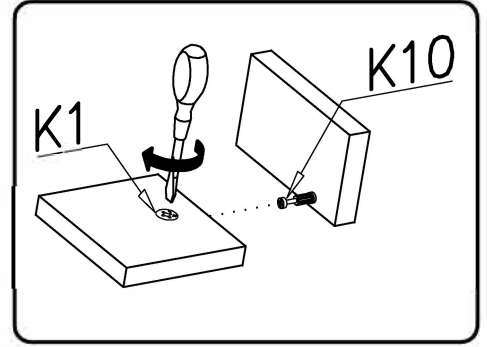
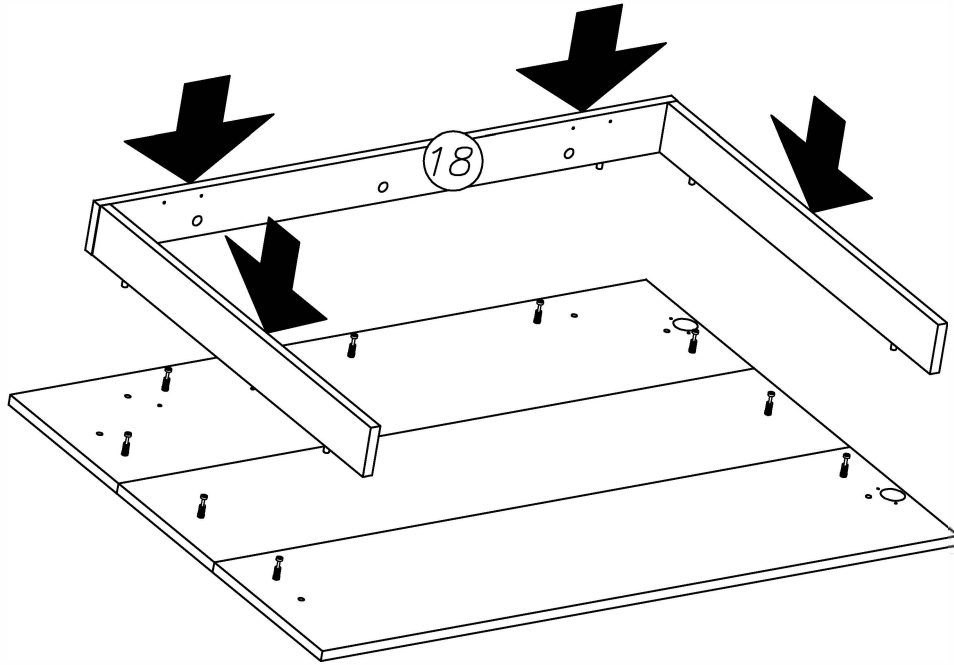


X

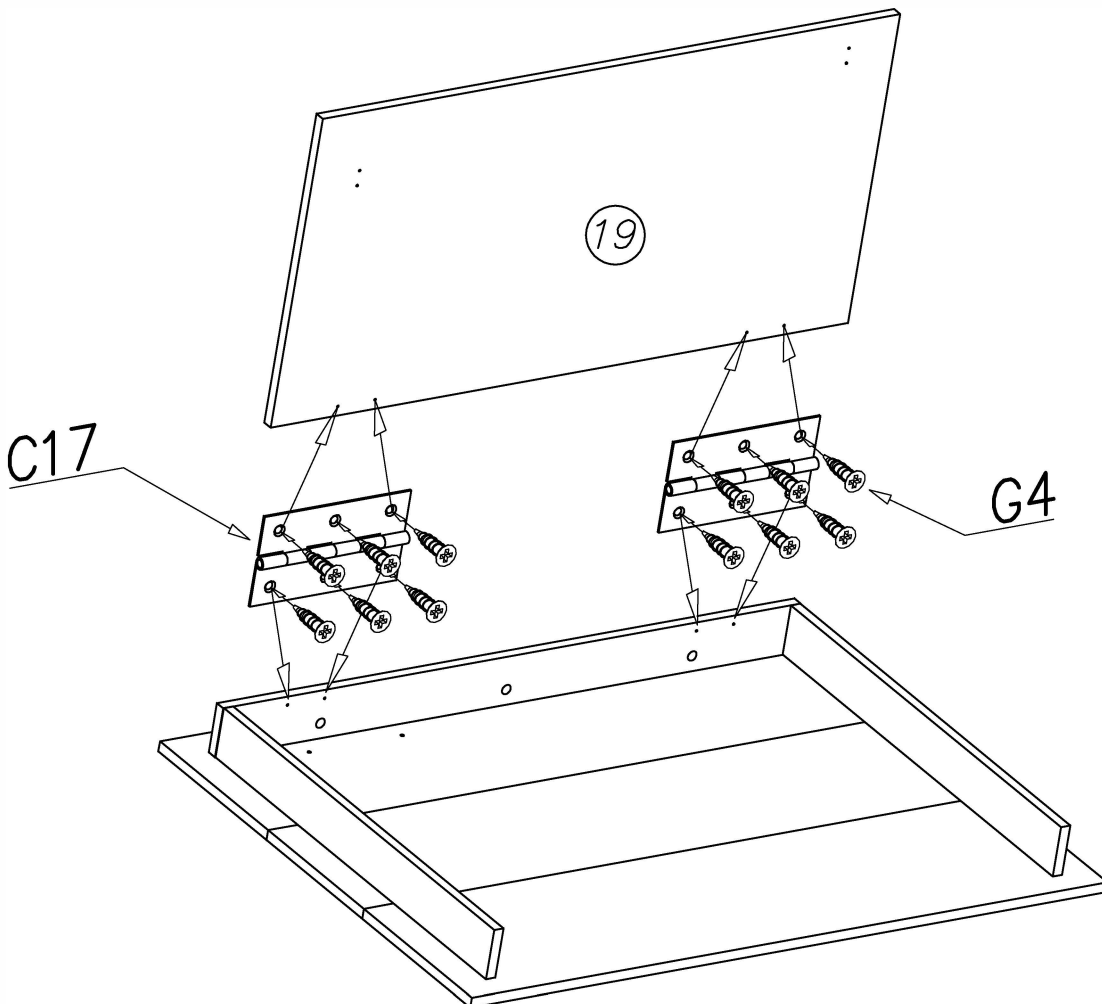


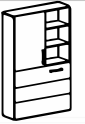


XI

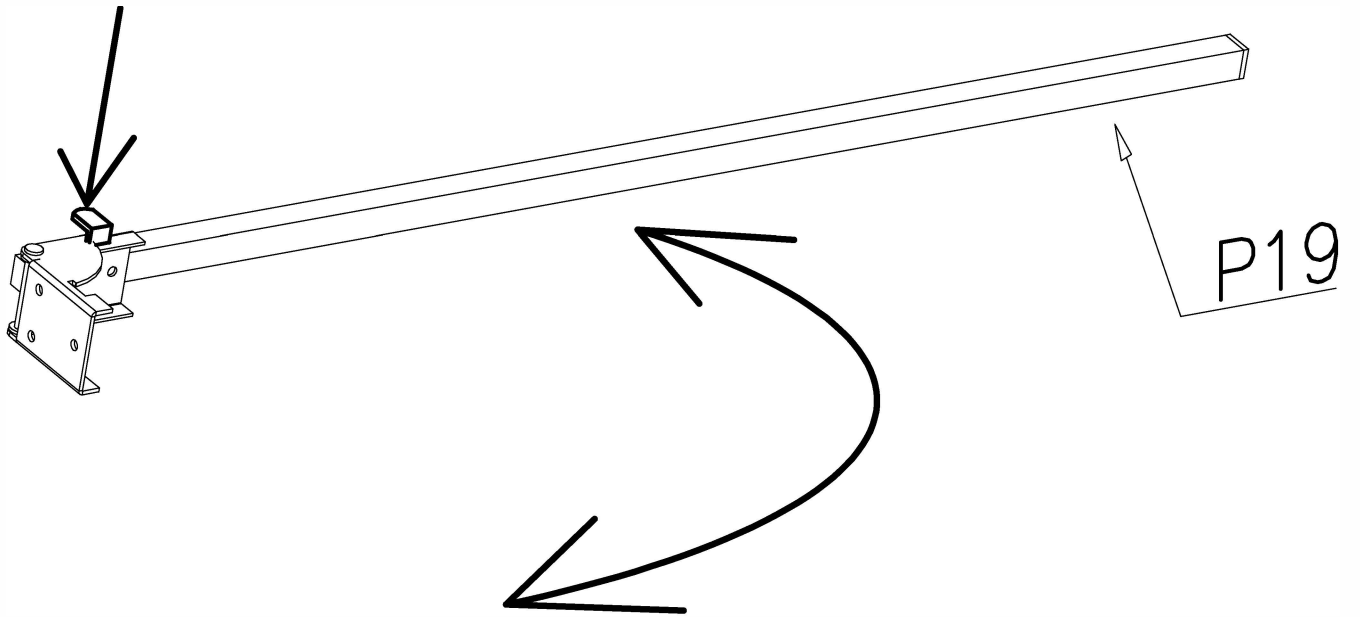


XII

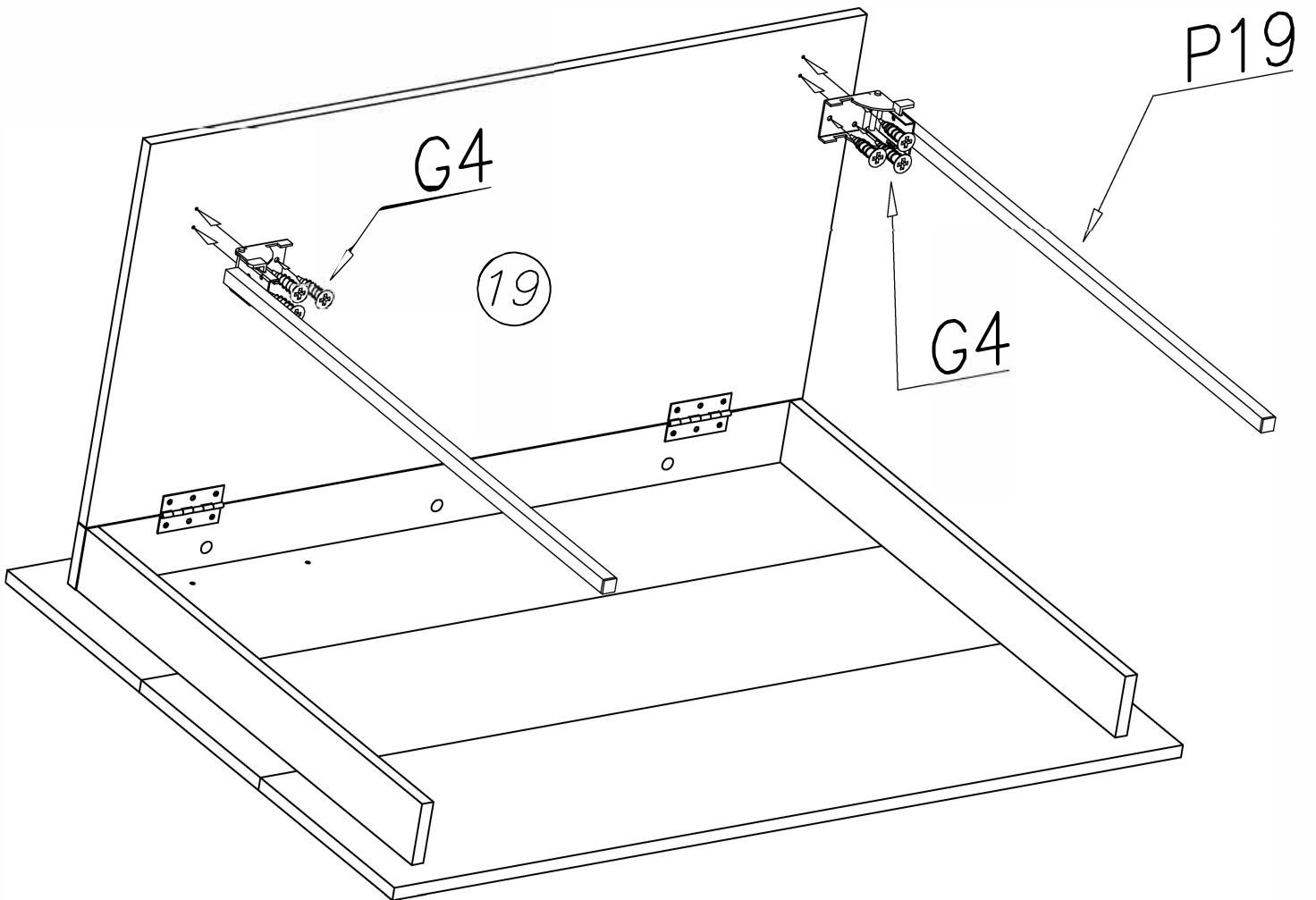


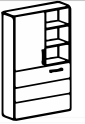


XIII

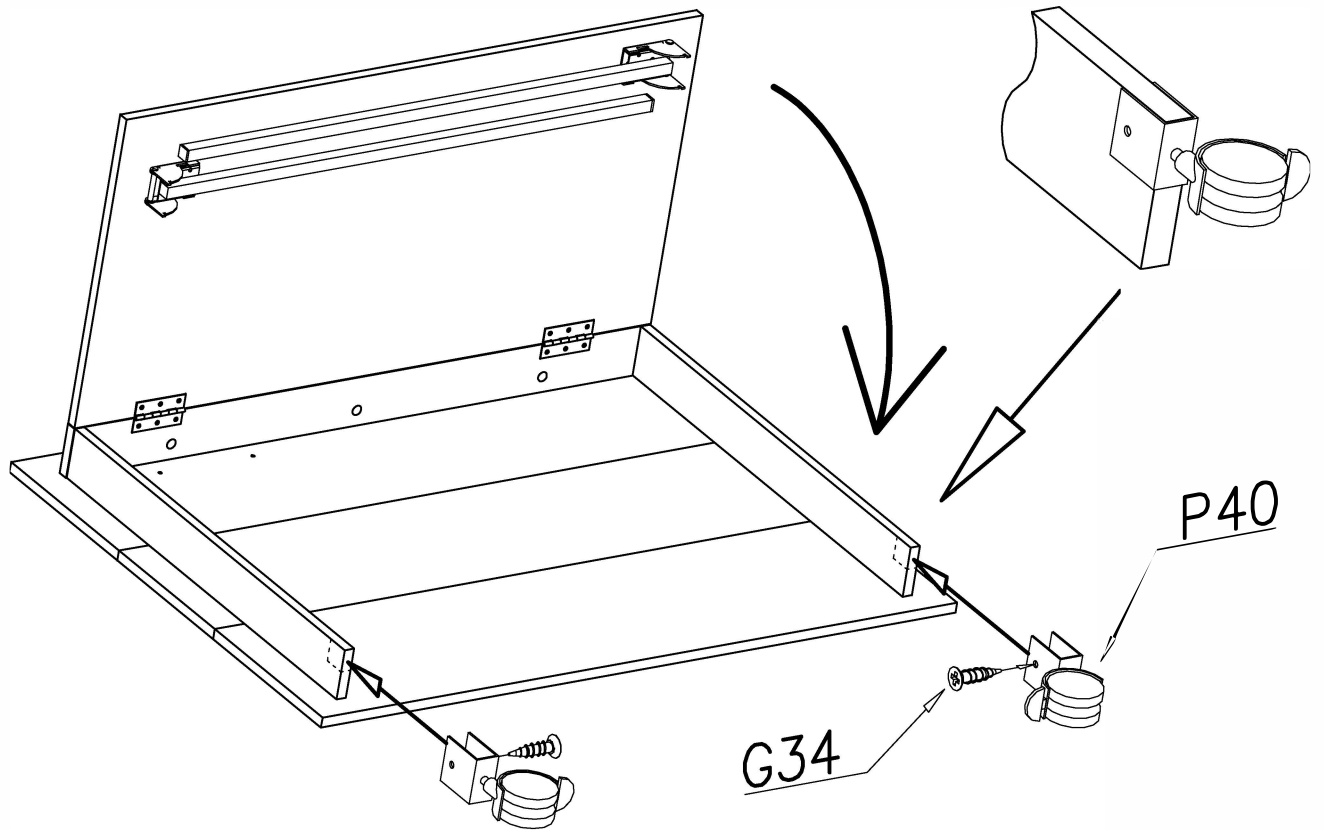


XIV

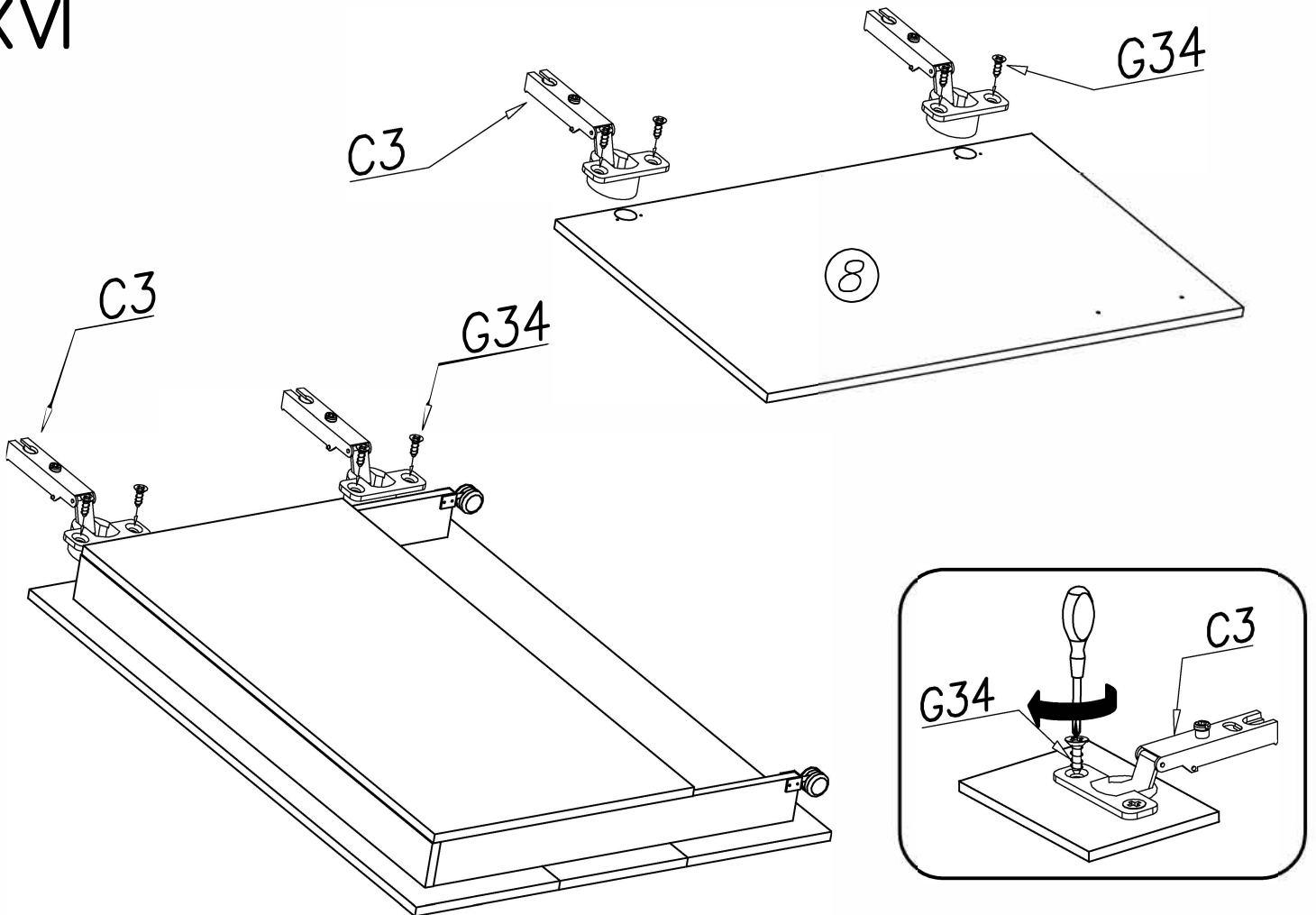


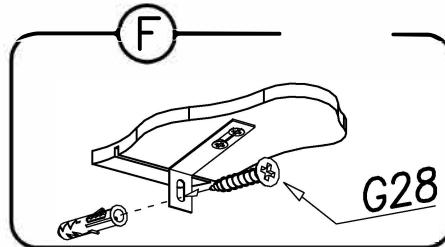
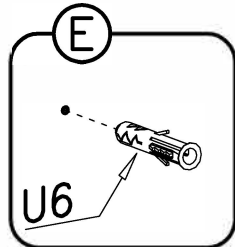
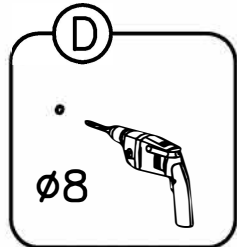
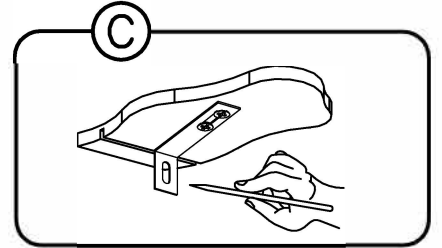
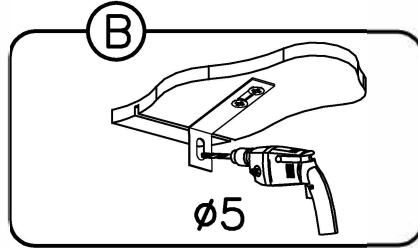
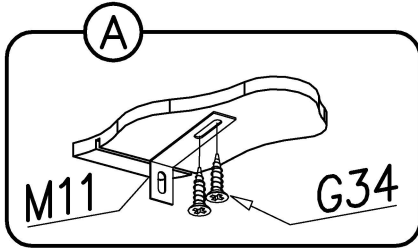
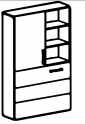


XV

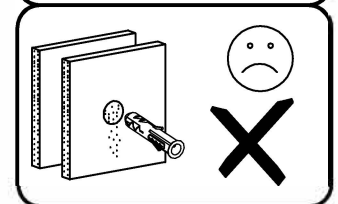
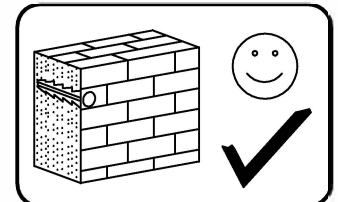
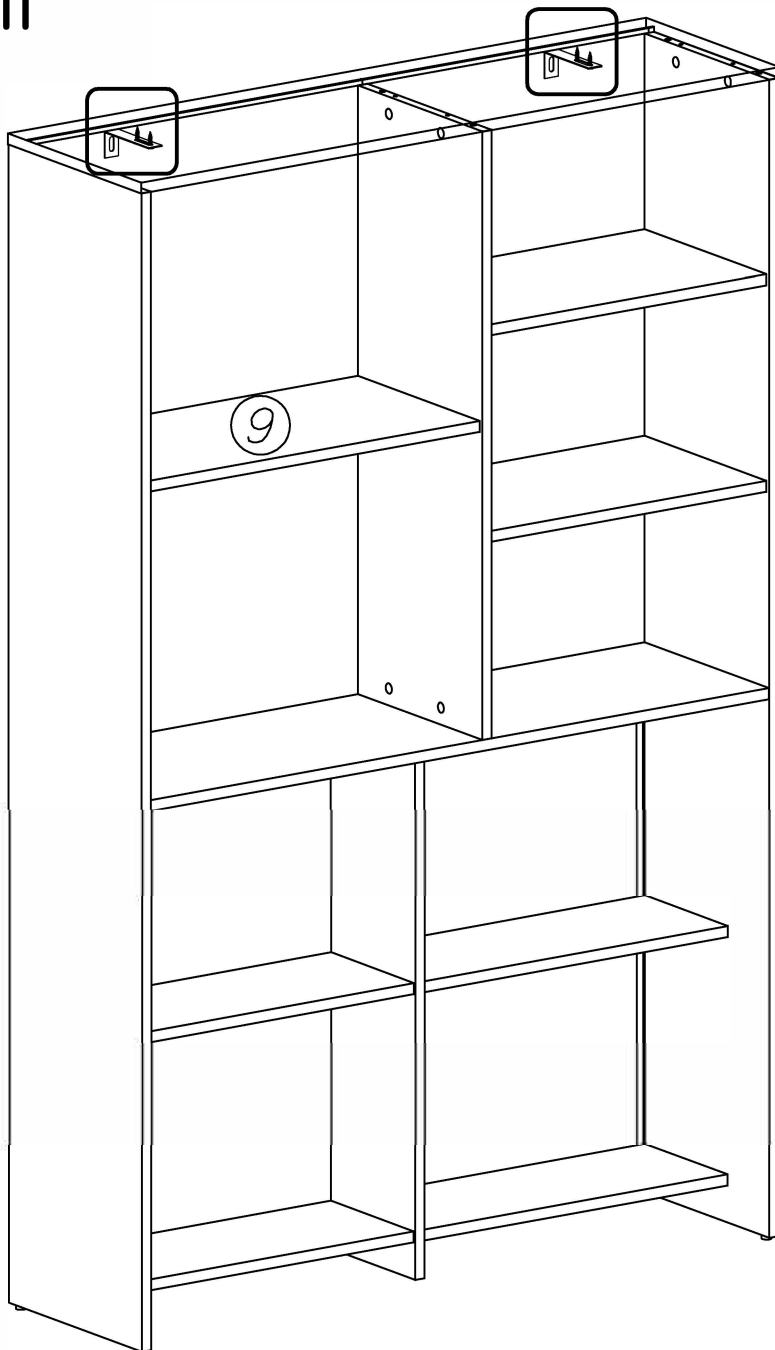


XVI

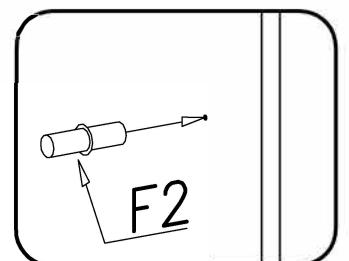




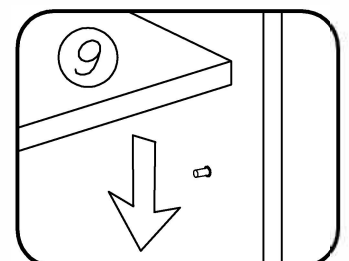
XVII

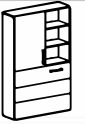


1

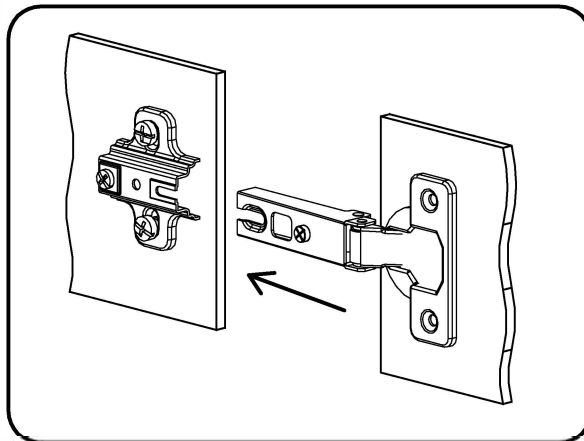
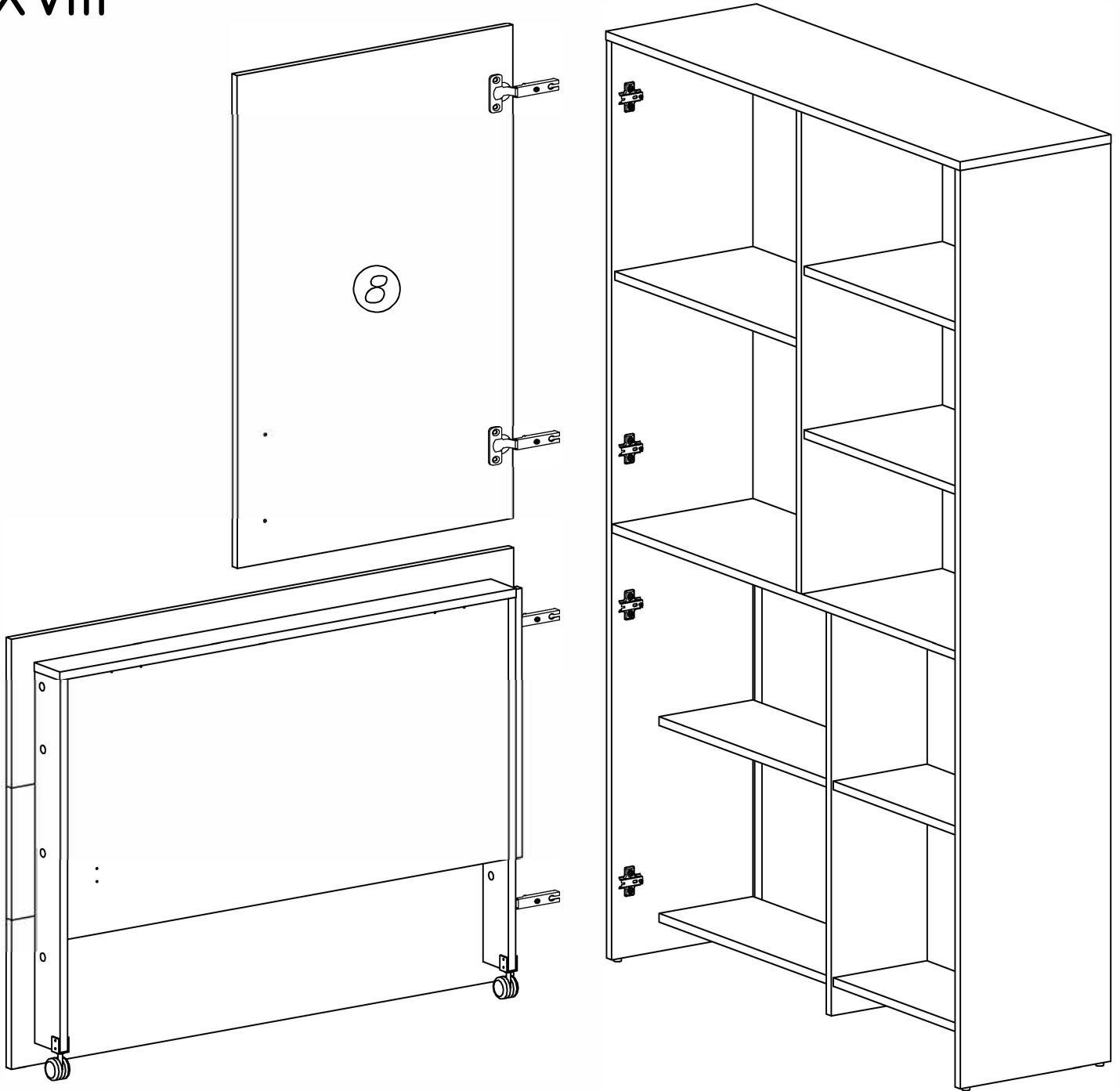


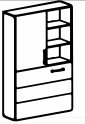
2



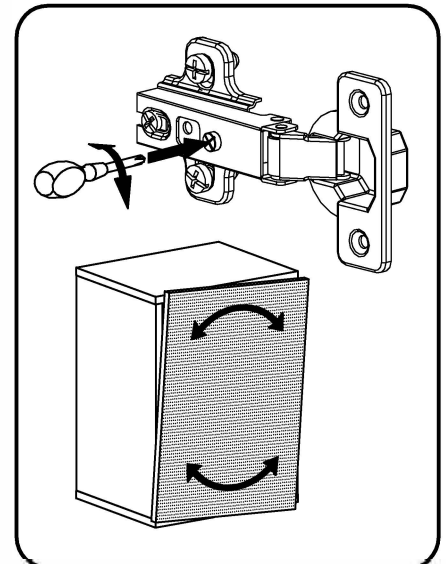
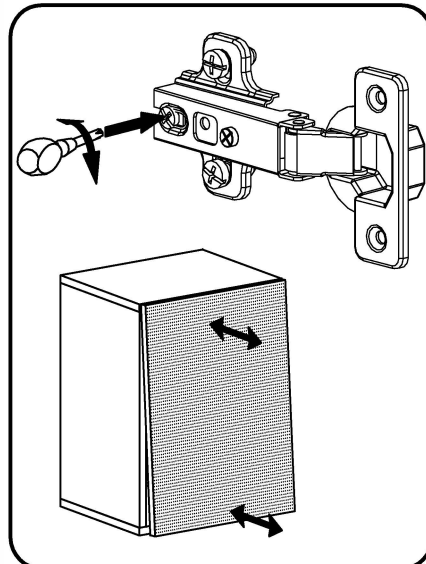
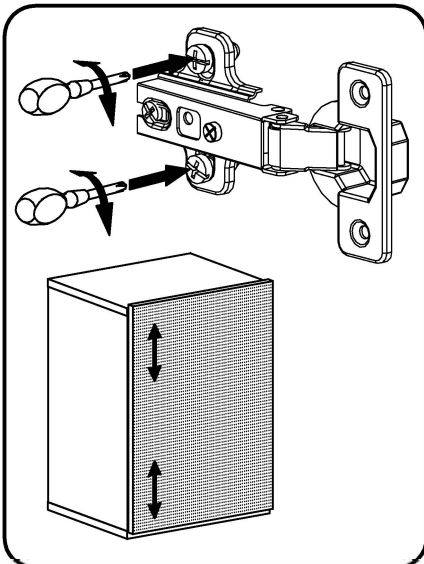
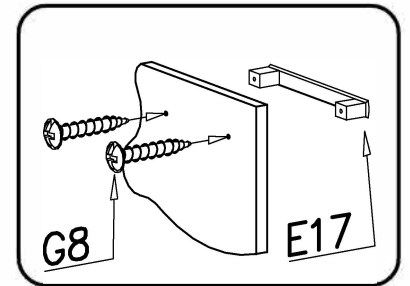
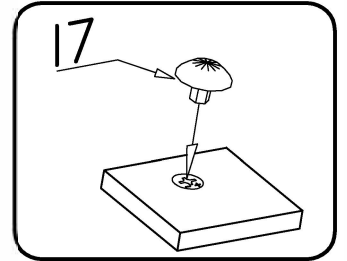
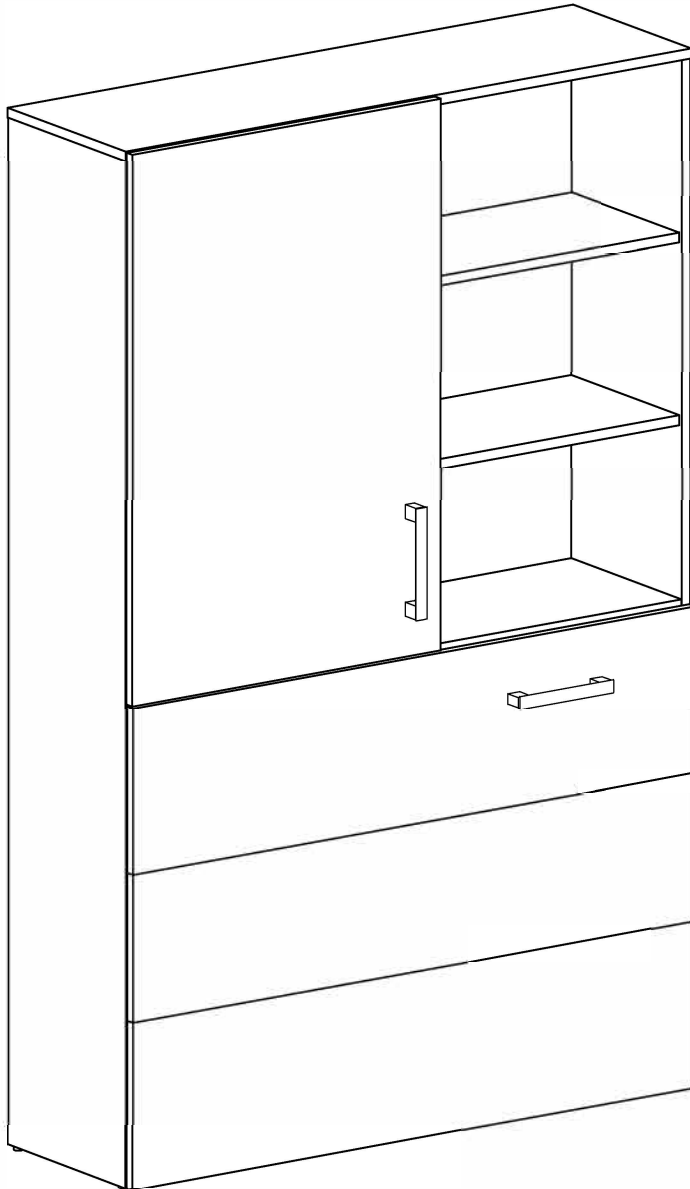


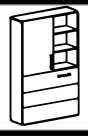
XVIII



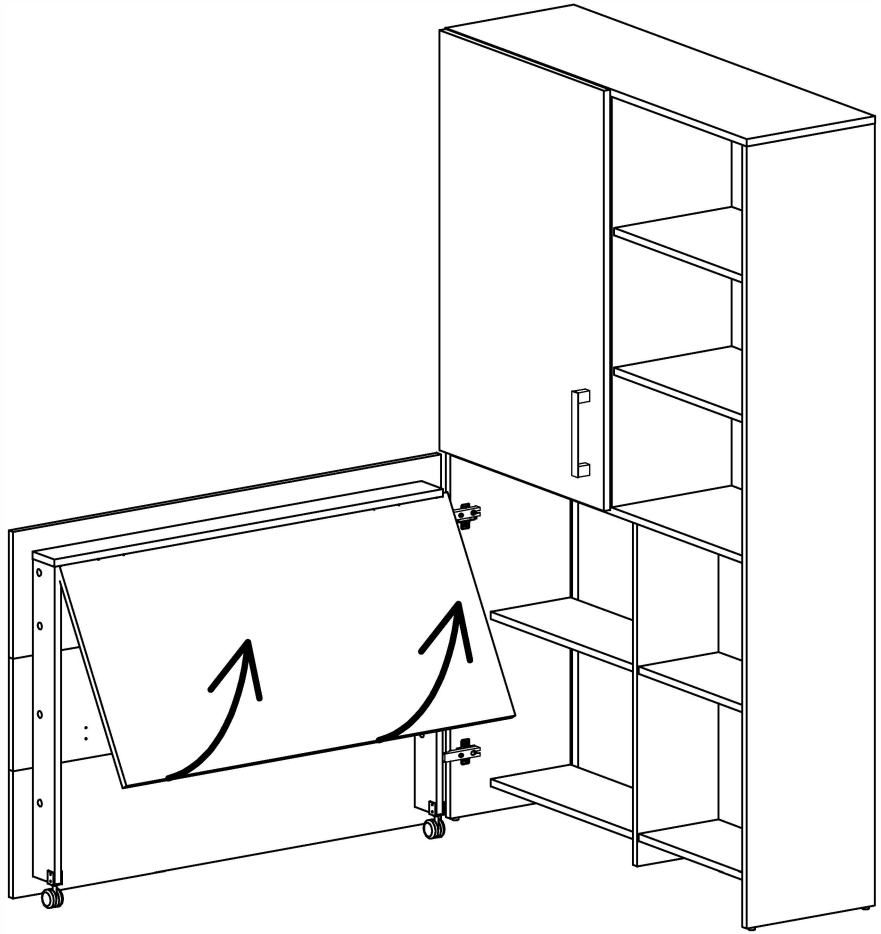


XIX





XX



XXI

