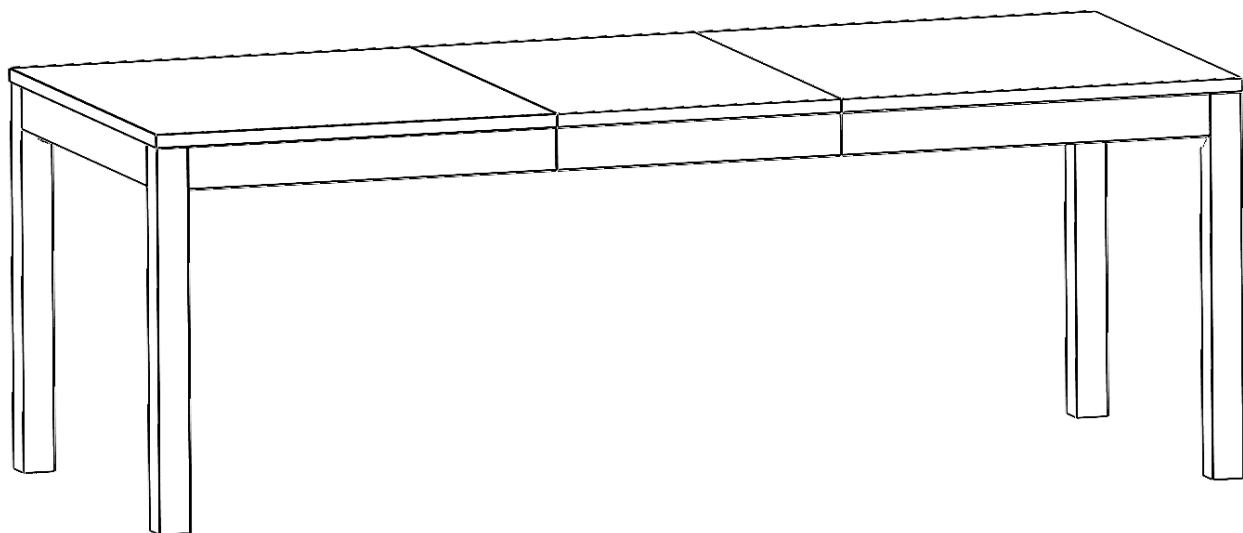
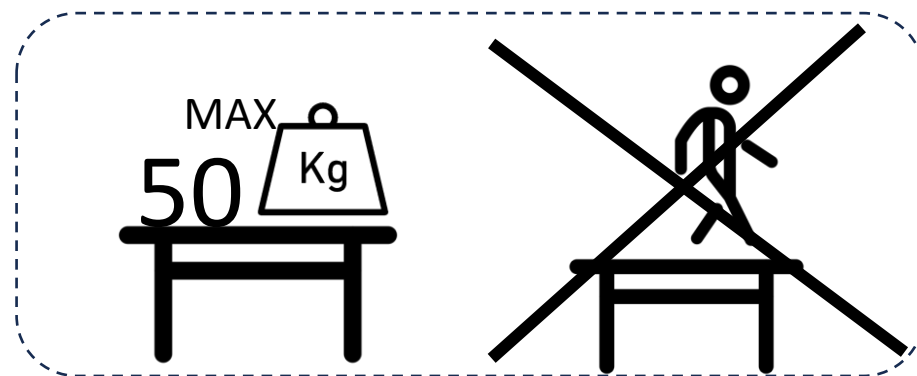
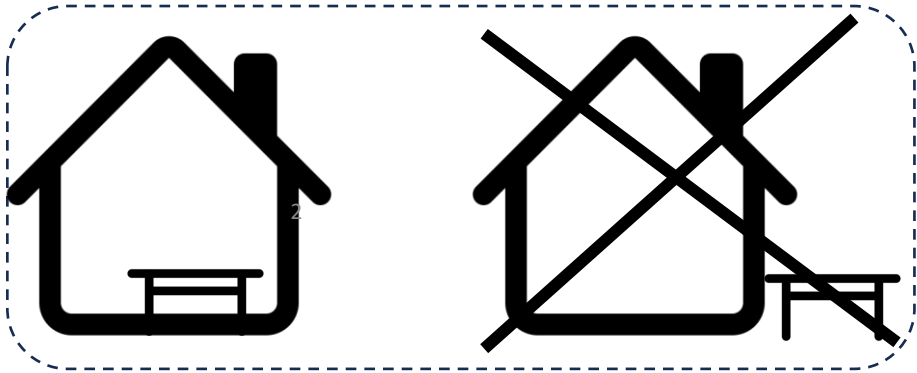
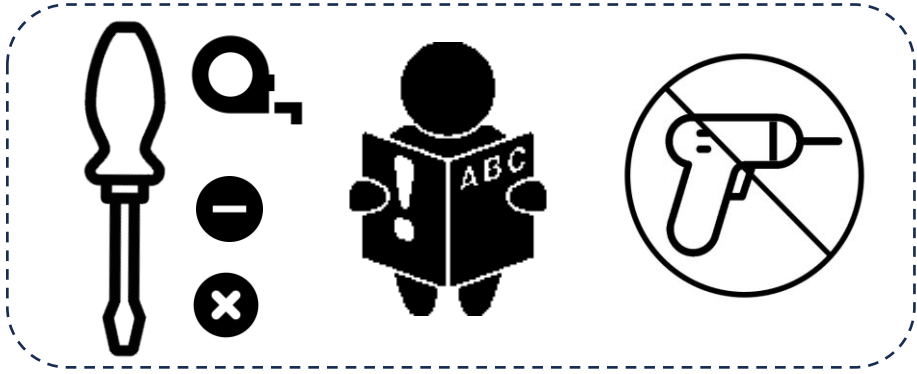
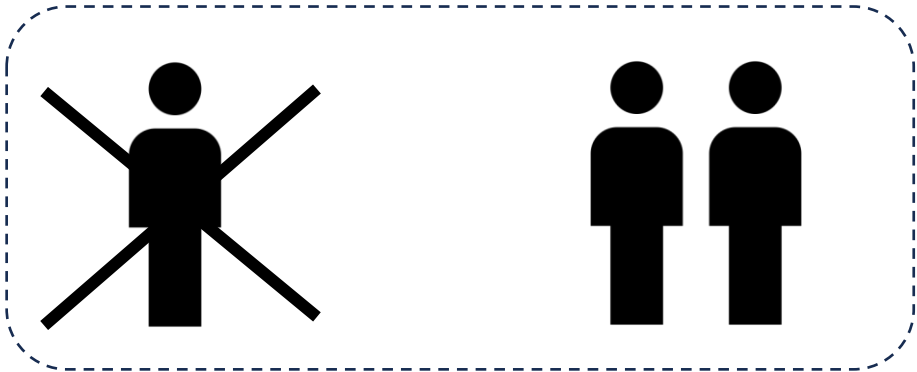
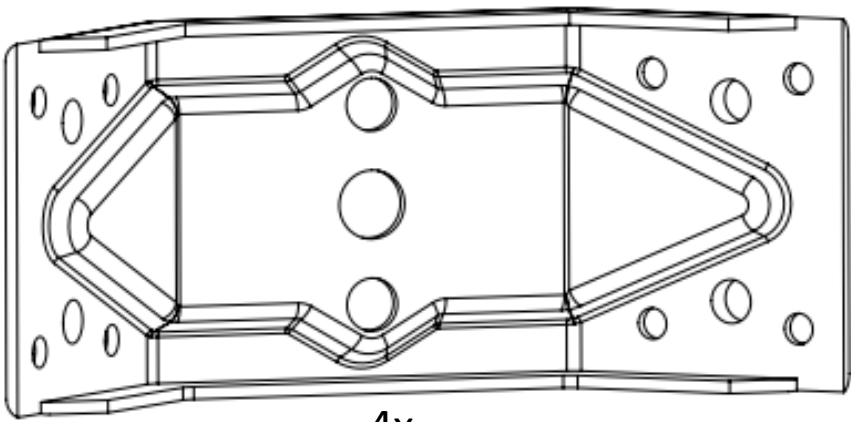


# SOLO







4x



4x



8x



4x



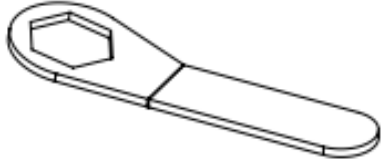
4x



8x



8x



1x



72x



20x



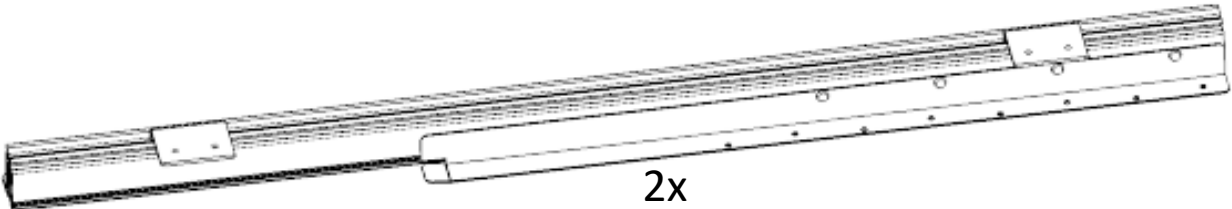
28x



22x

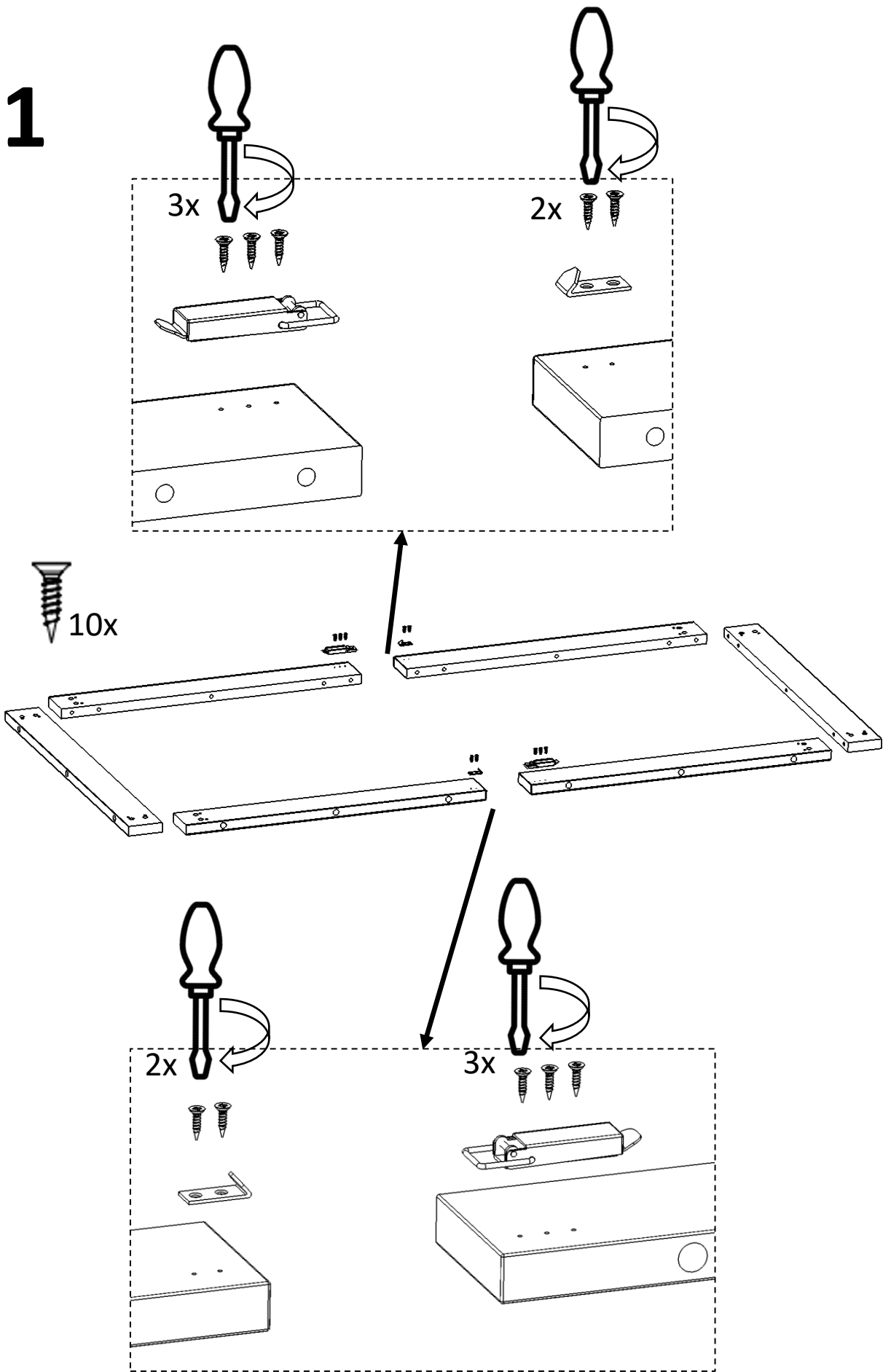


4x

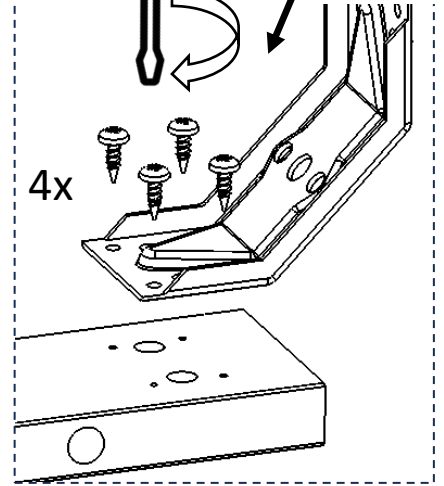
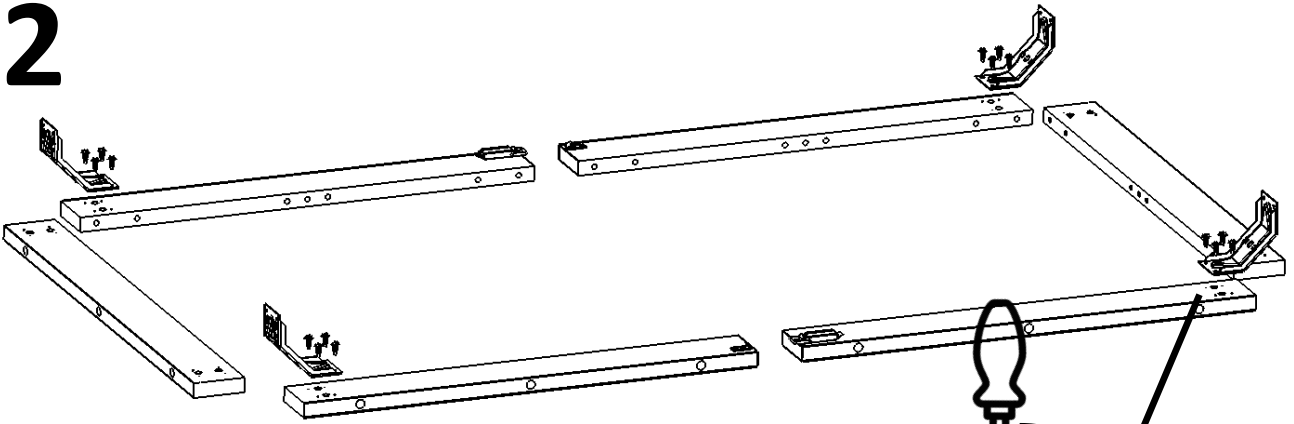


2x

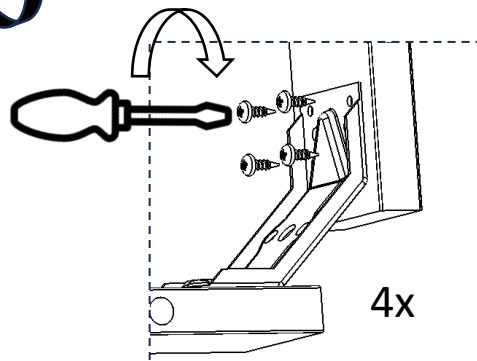
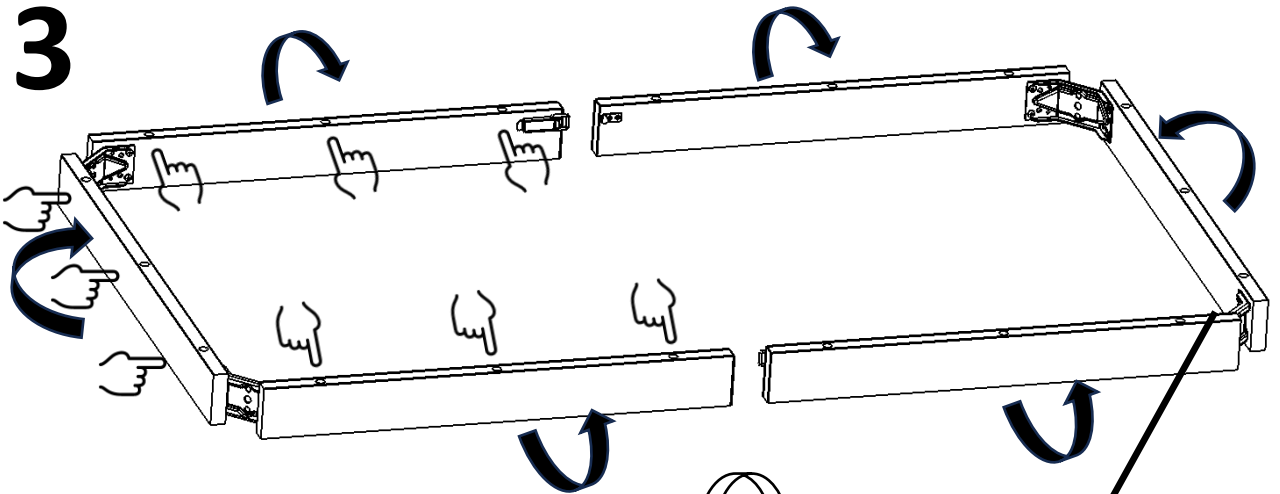
# 1



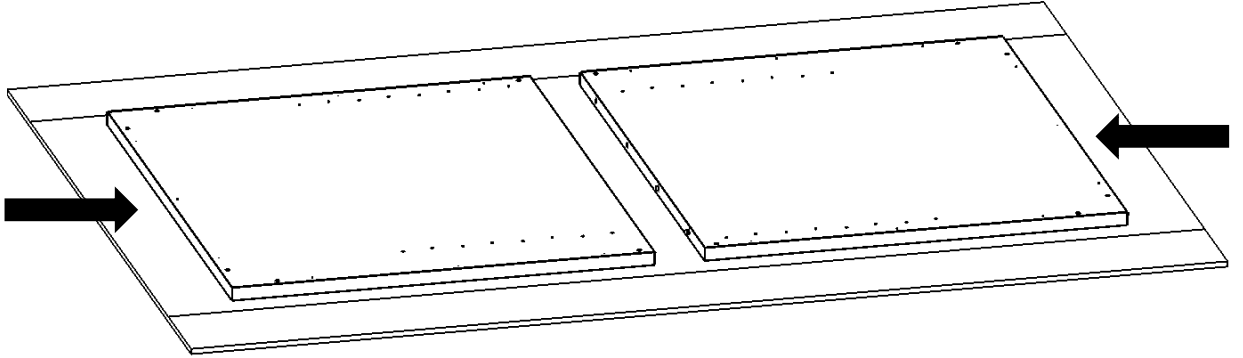
# 2



# 3



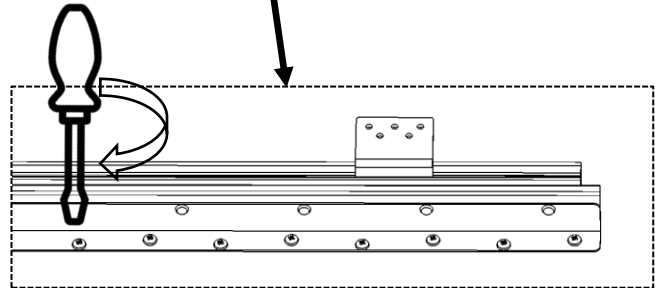
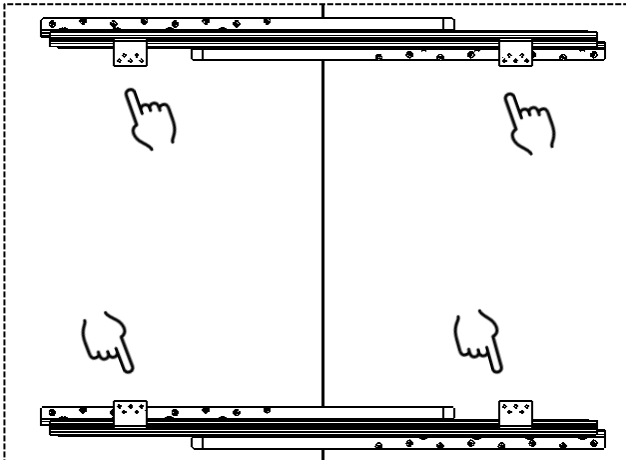
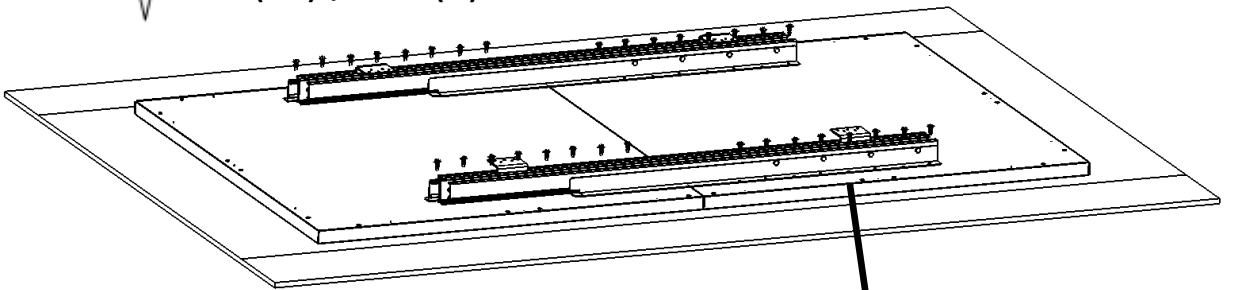
# 4



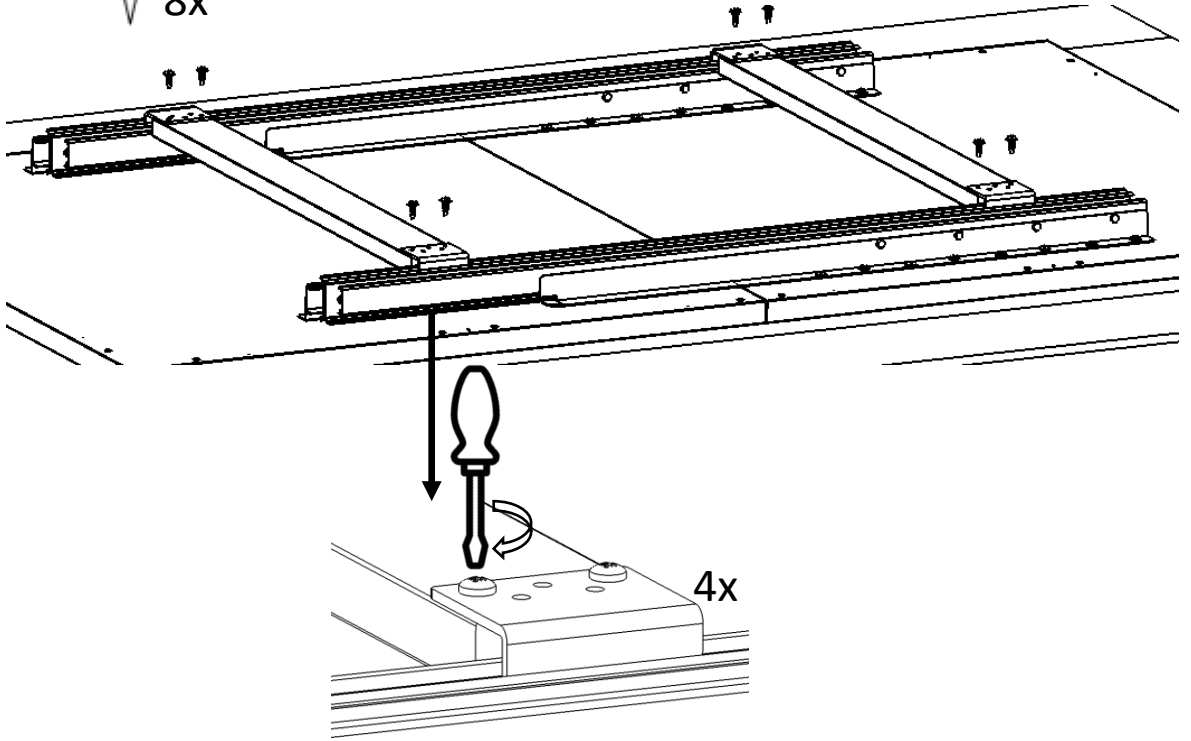
# 5



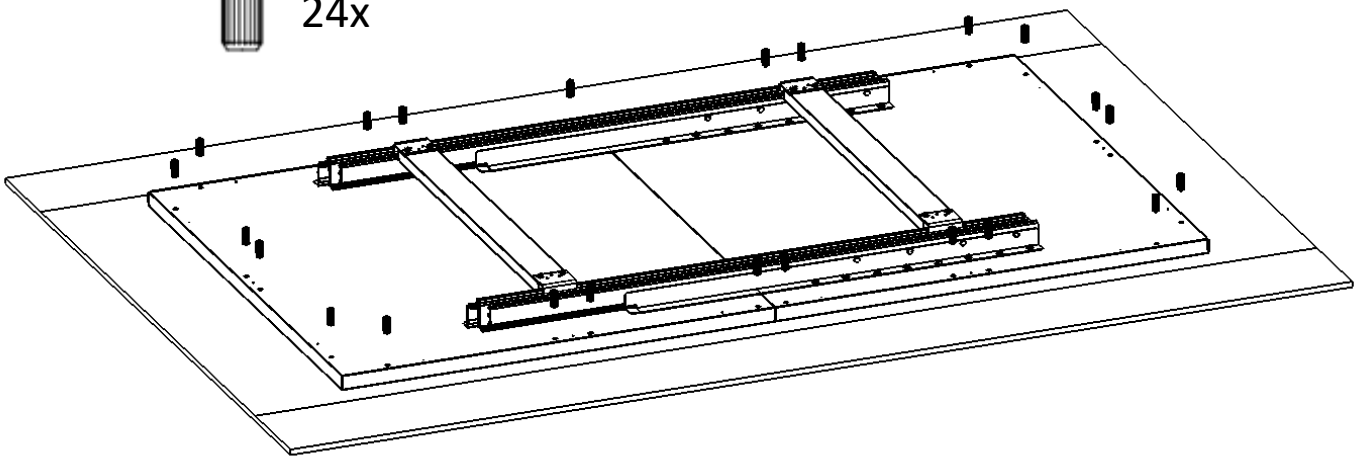
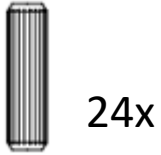
32x(M) / 28x(S)



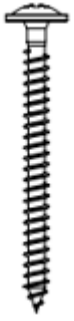
# 6



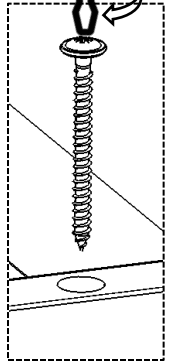
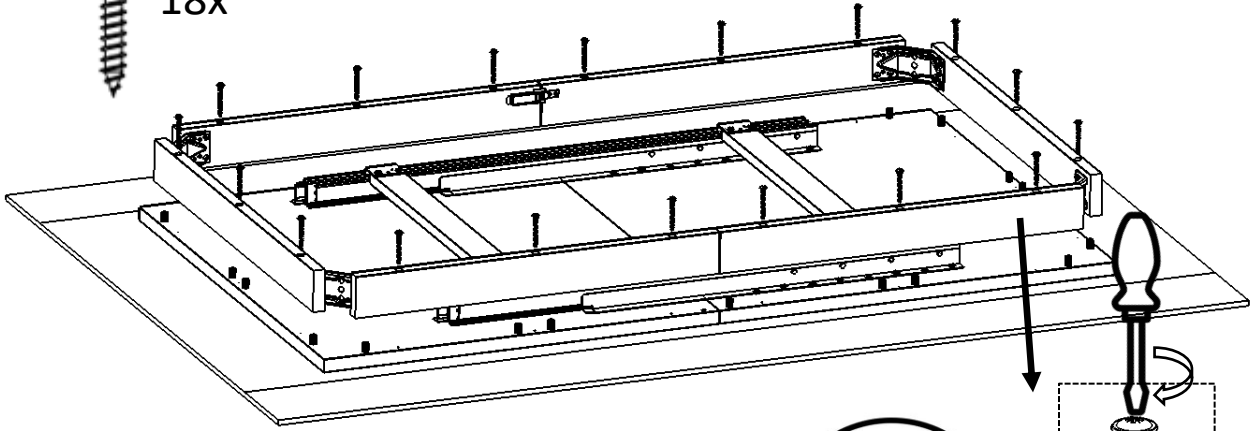
# 7



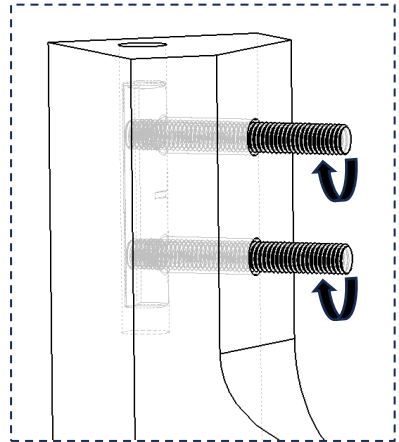
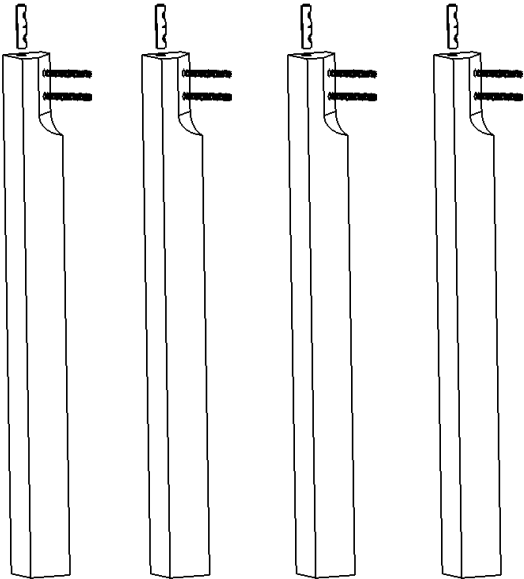
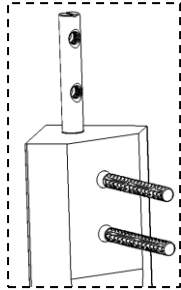
8



18x

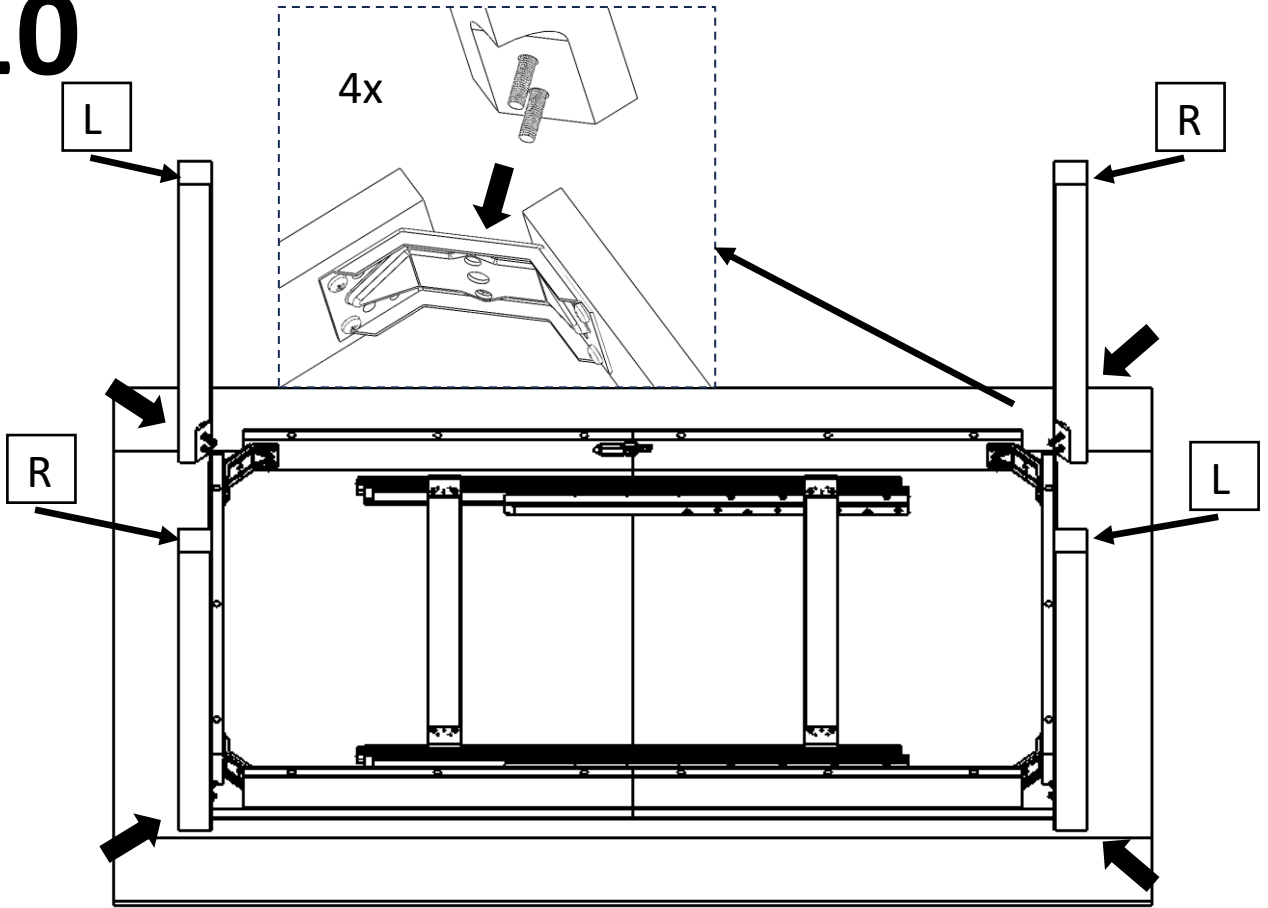


9

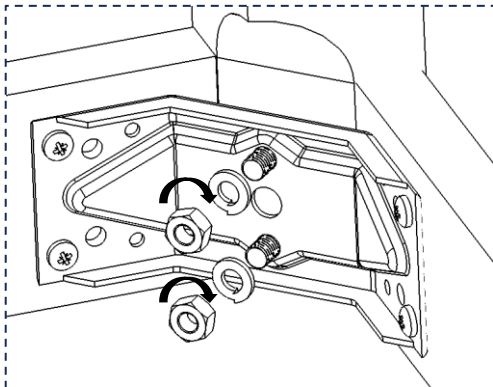
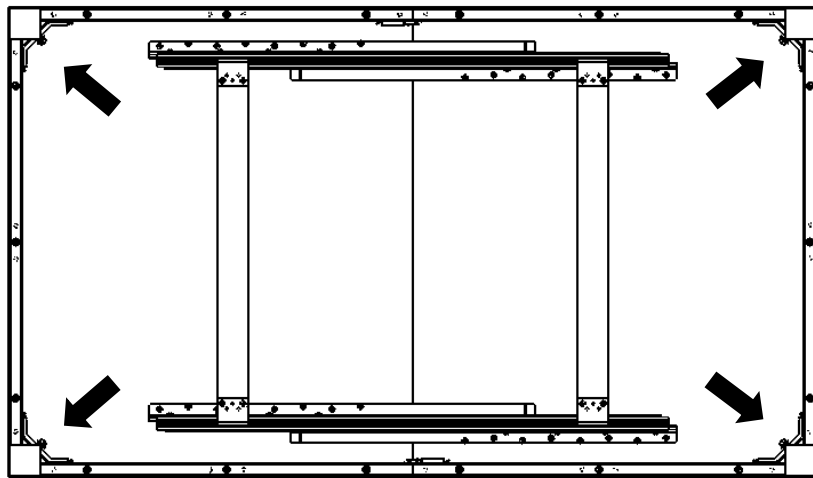




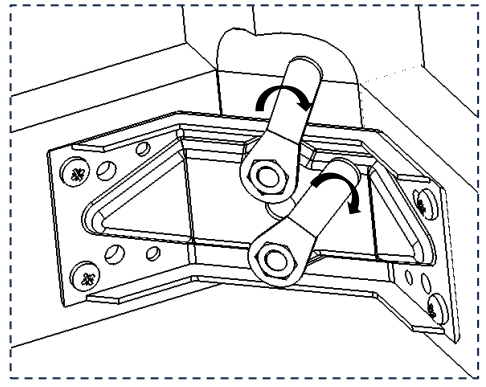
# 10



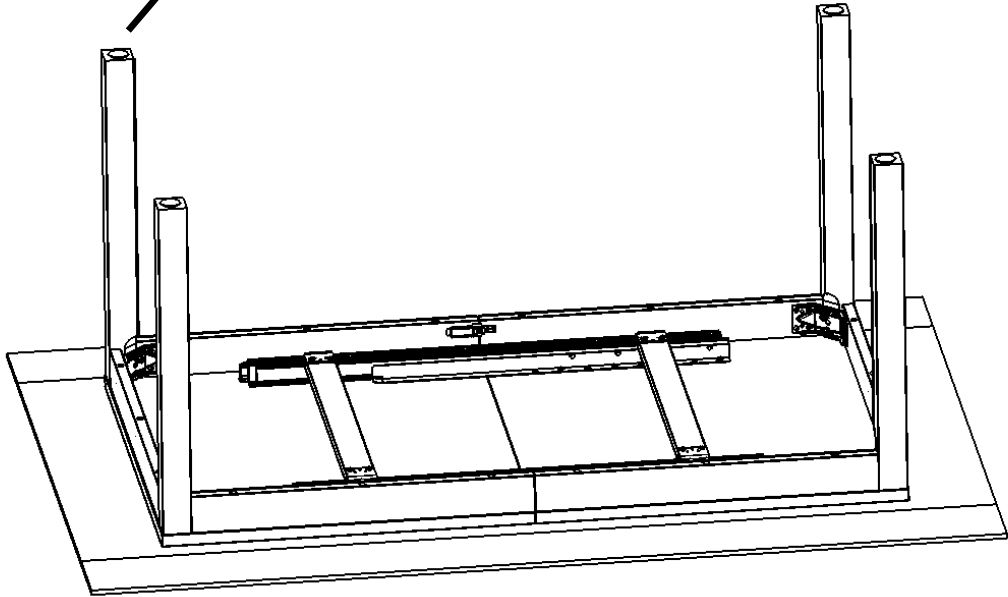
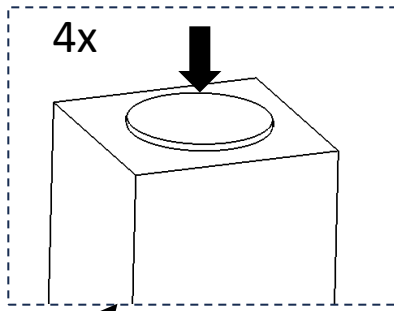
# 11



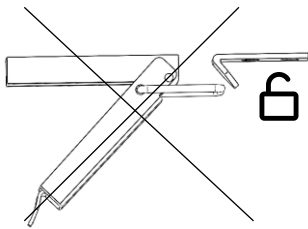
4x



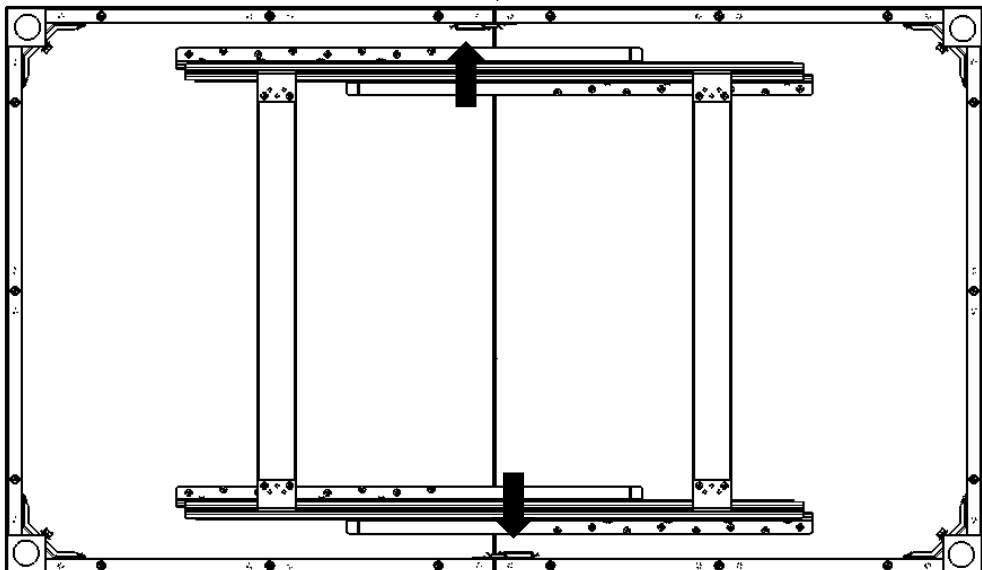
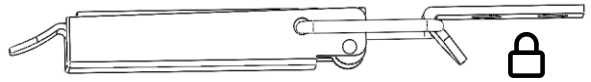
# 12



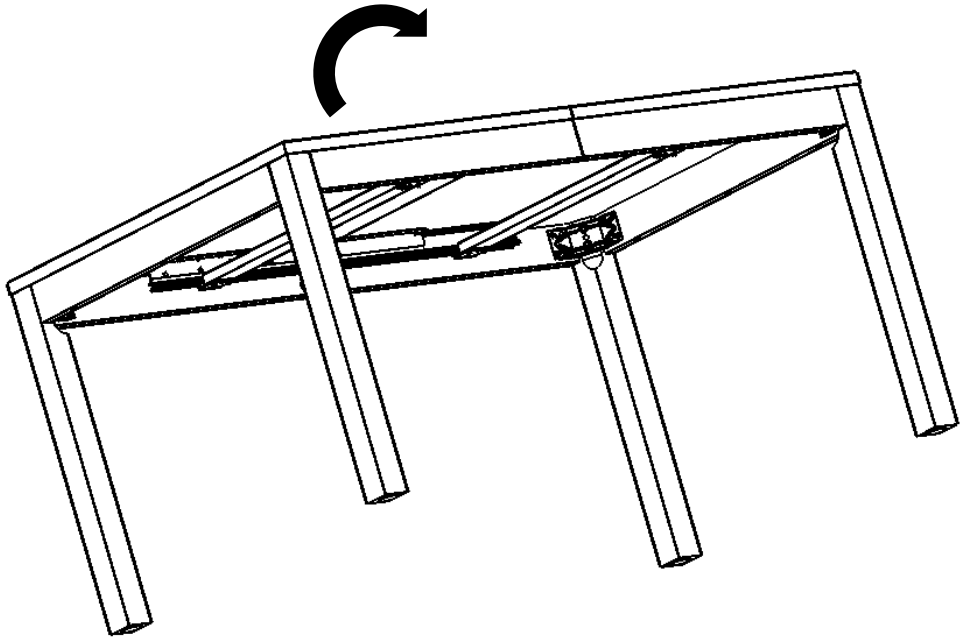
# 13



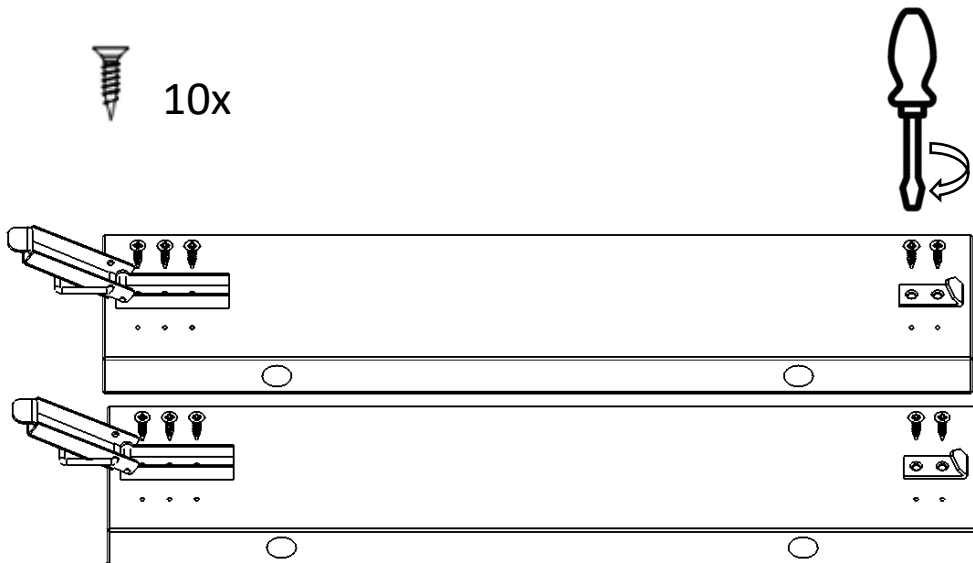
2x



# 14



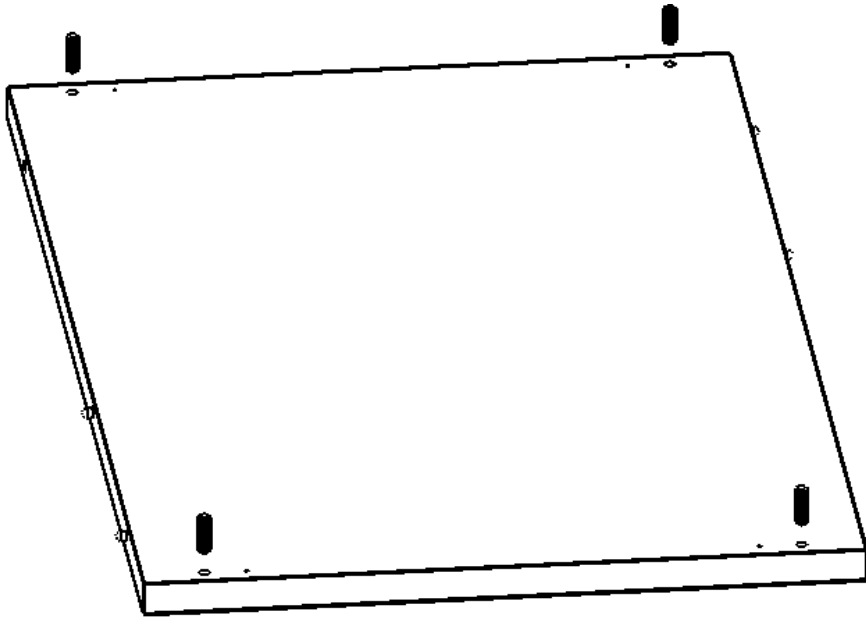
# 15



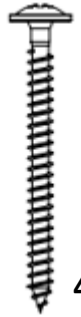
# 16



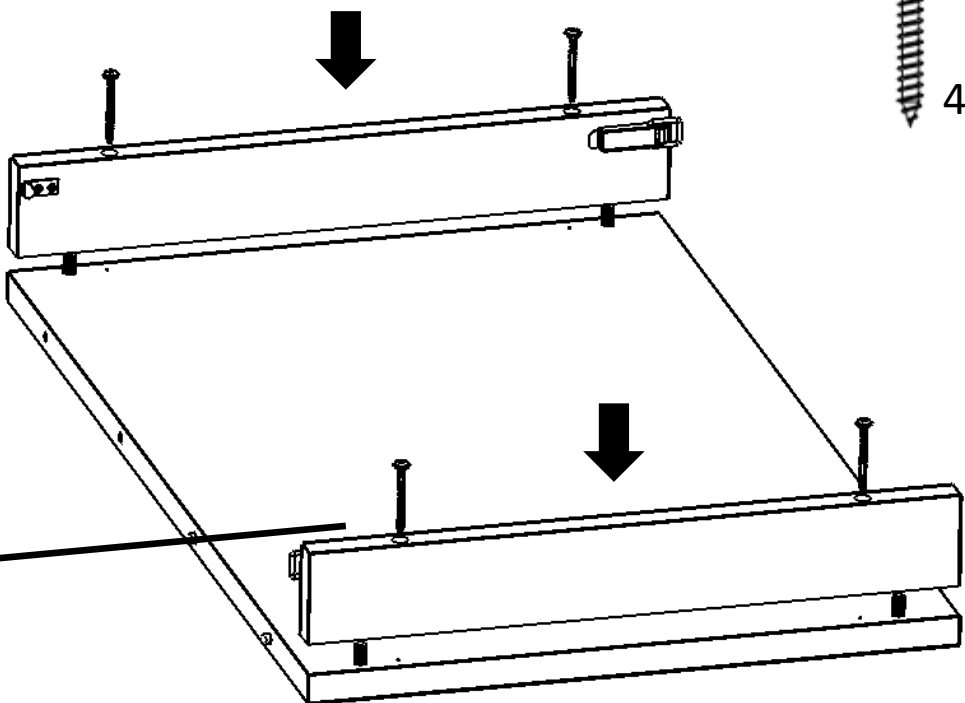
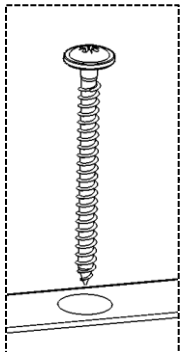
4x



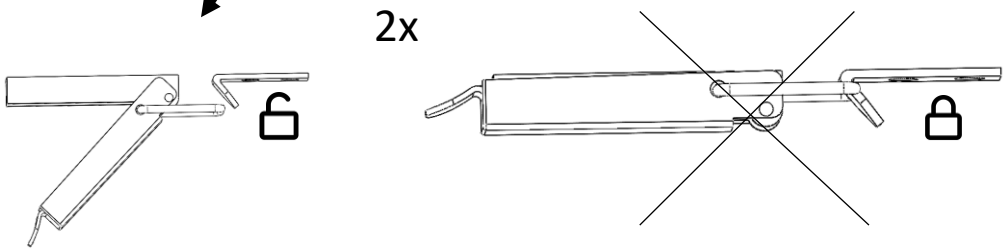
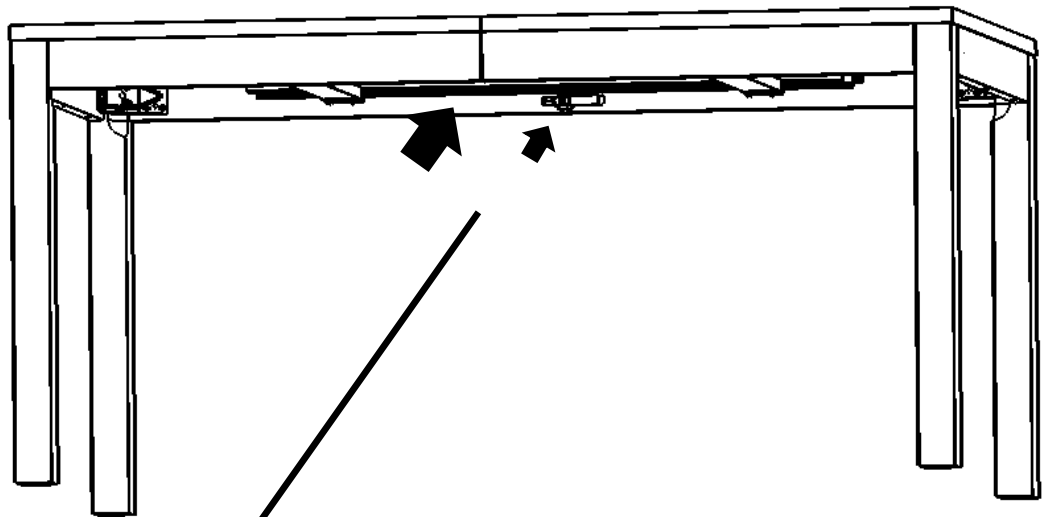
# 17



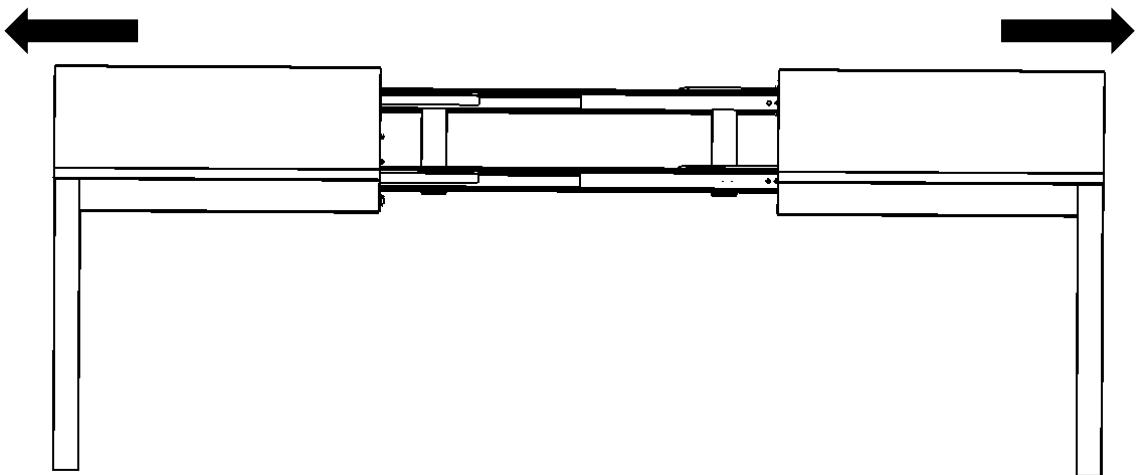
4x



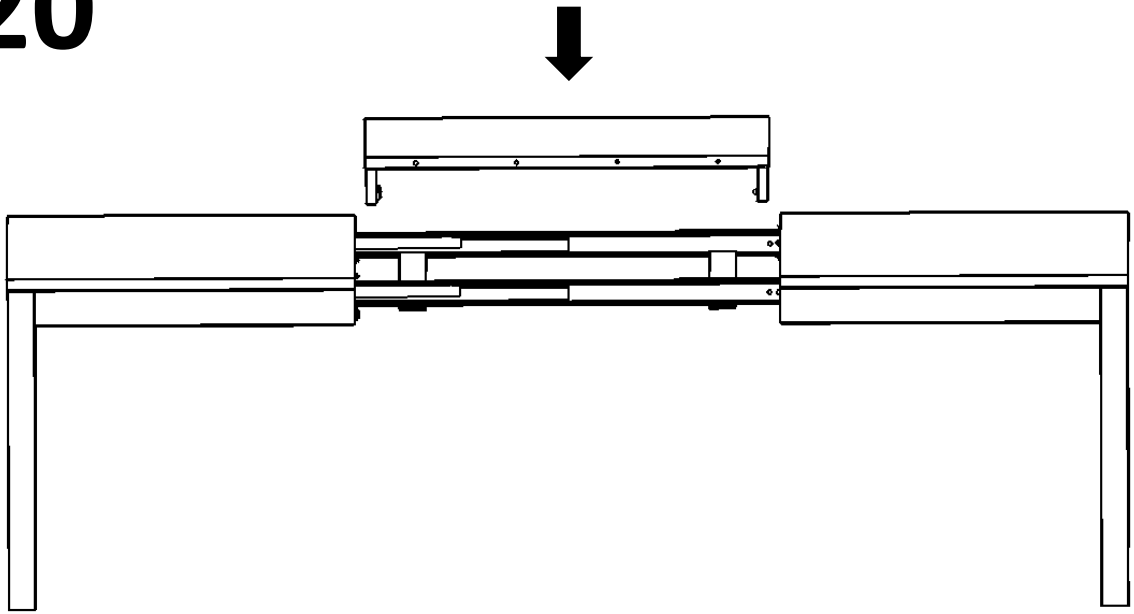
18



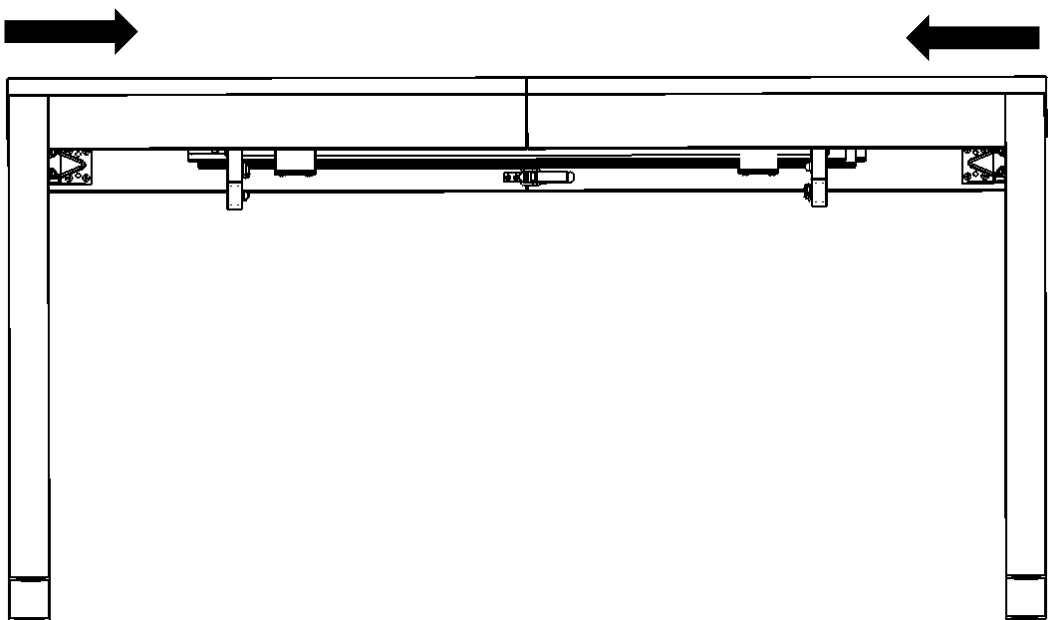
19



20



21



# 23

