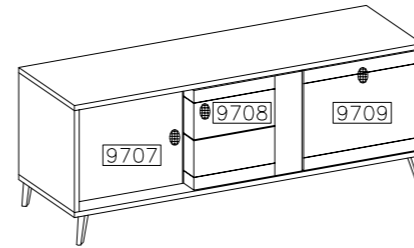
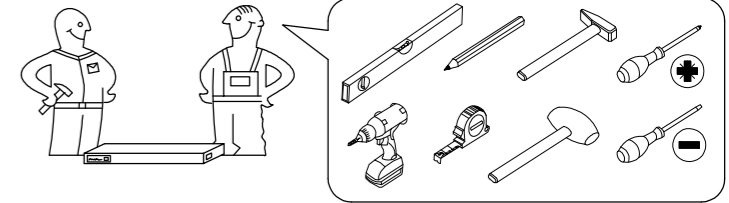
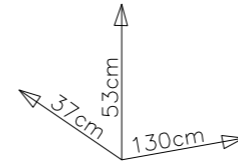


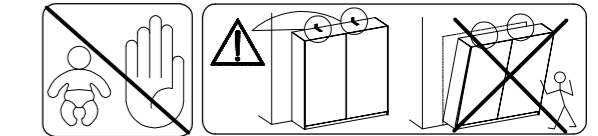
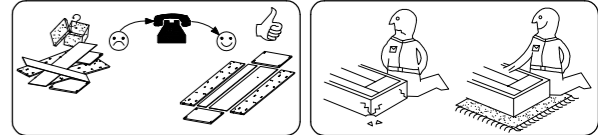
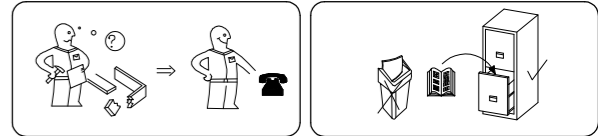
BRUNO BR4



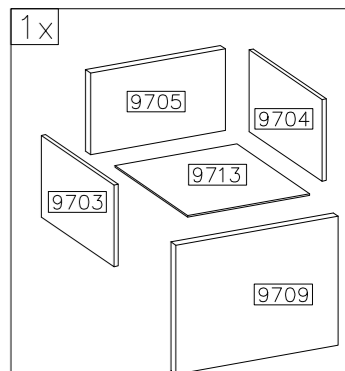
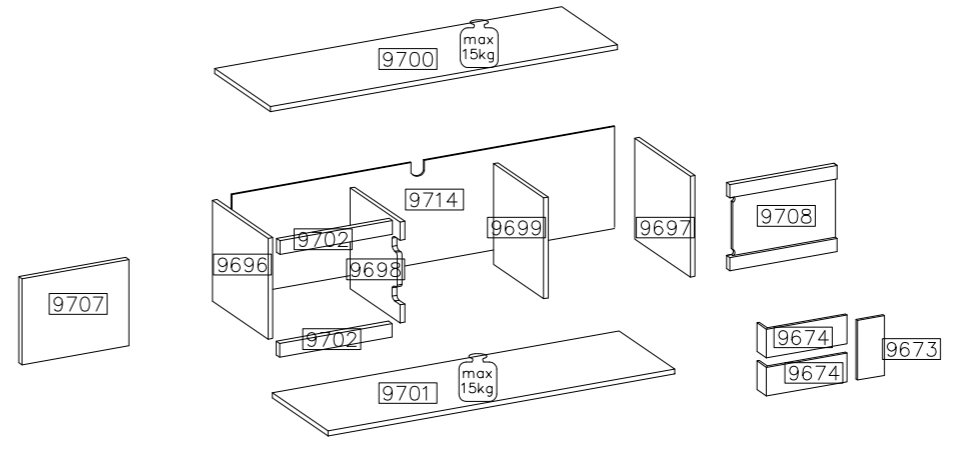
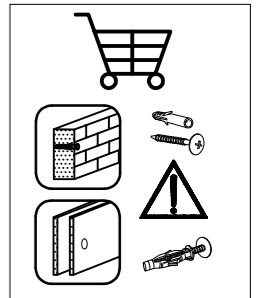
PUSH TO OPEN



#	ART. NR	L	W	T	Q	Col.No
1	9696	408	404	16	1	1
2	9697	408	404	16	1	1
3	9698	408	364	16	1	1
4	9699	408	364	16	1	1
5	9700	1300	404	16	1	1
6	9701	1300	404	16	1	1
7	9702	413	60	16	2	1
8	9703	300	240	16	1	1
9	9704	300	240	16	1	1
10	9705	373	223	16	1	1
11	9674	345	153	6	2	1
12	9675	56	153	6	2	1
13	9714	1283	423	2,5	1	1
14	9713	388	308	2,5	1	1
15	9708	400	438	16	1	2
16	9707	368	407	16	1	2
17	9709	400	407	16	1	2
18	9673	310	100	10	1	2

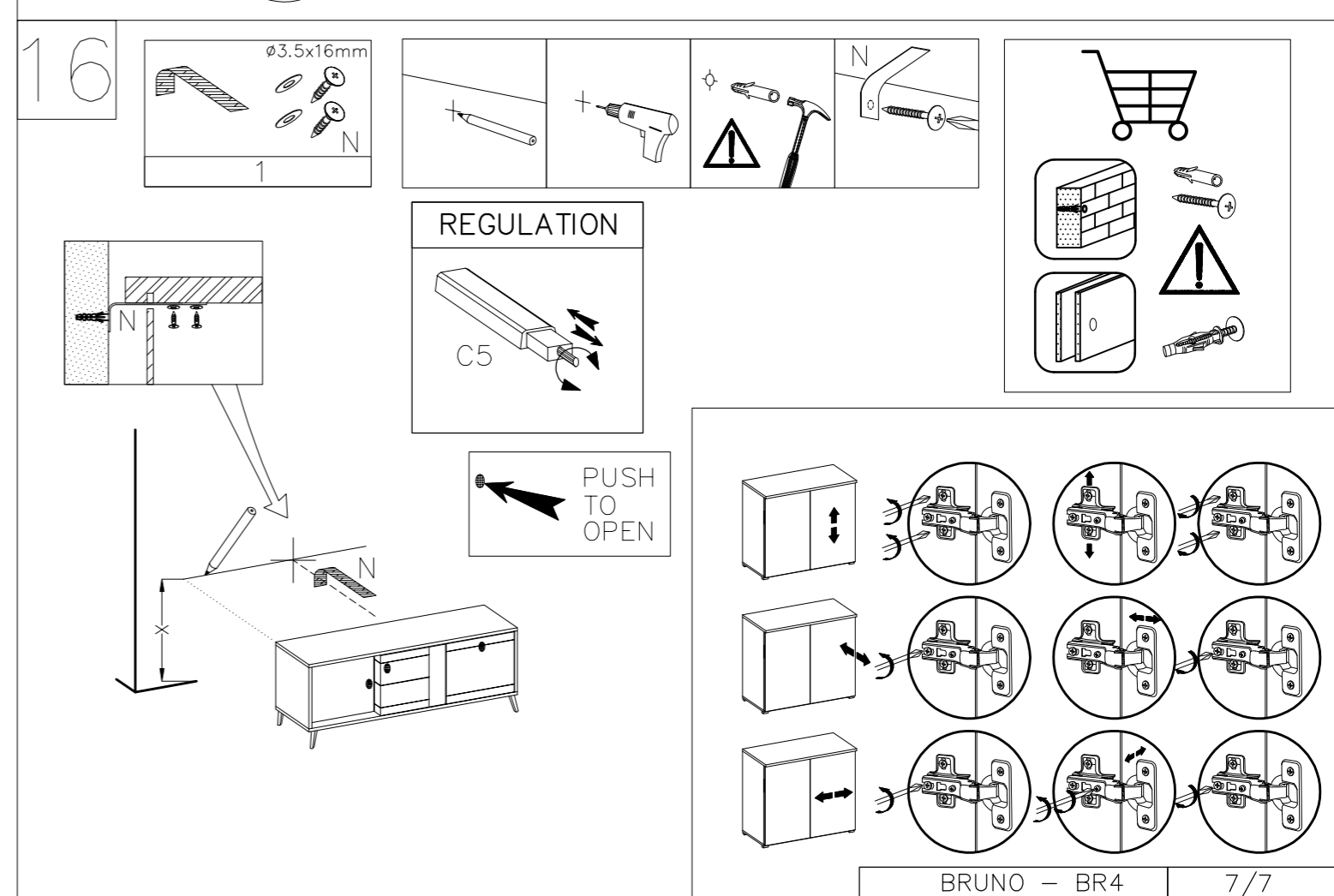
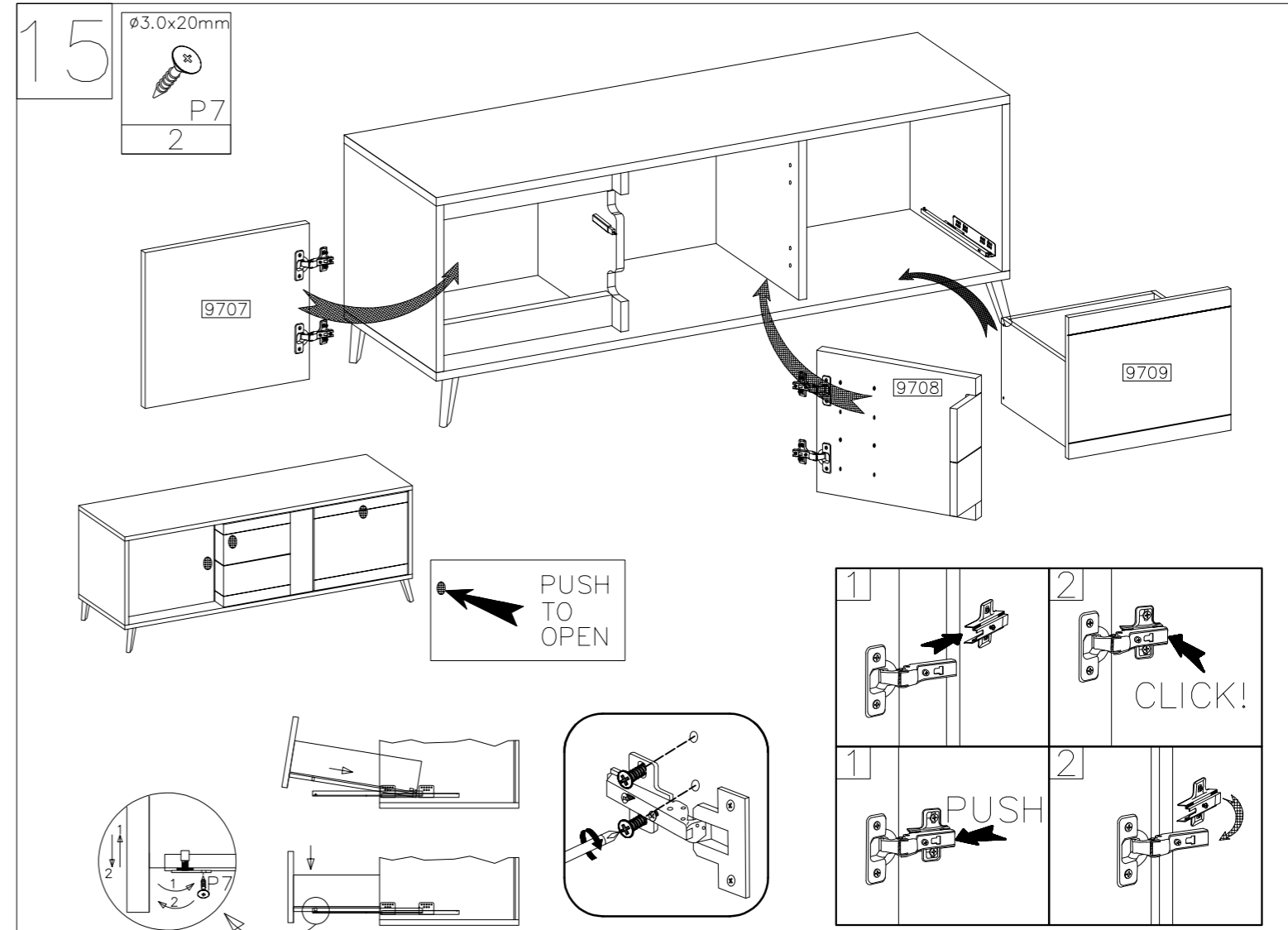
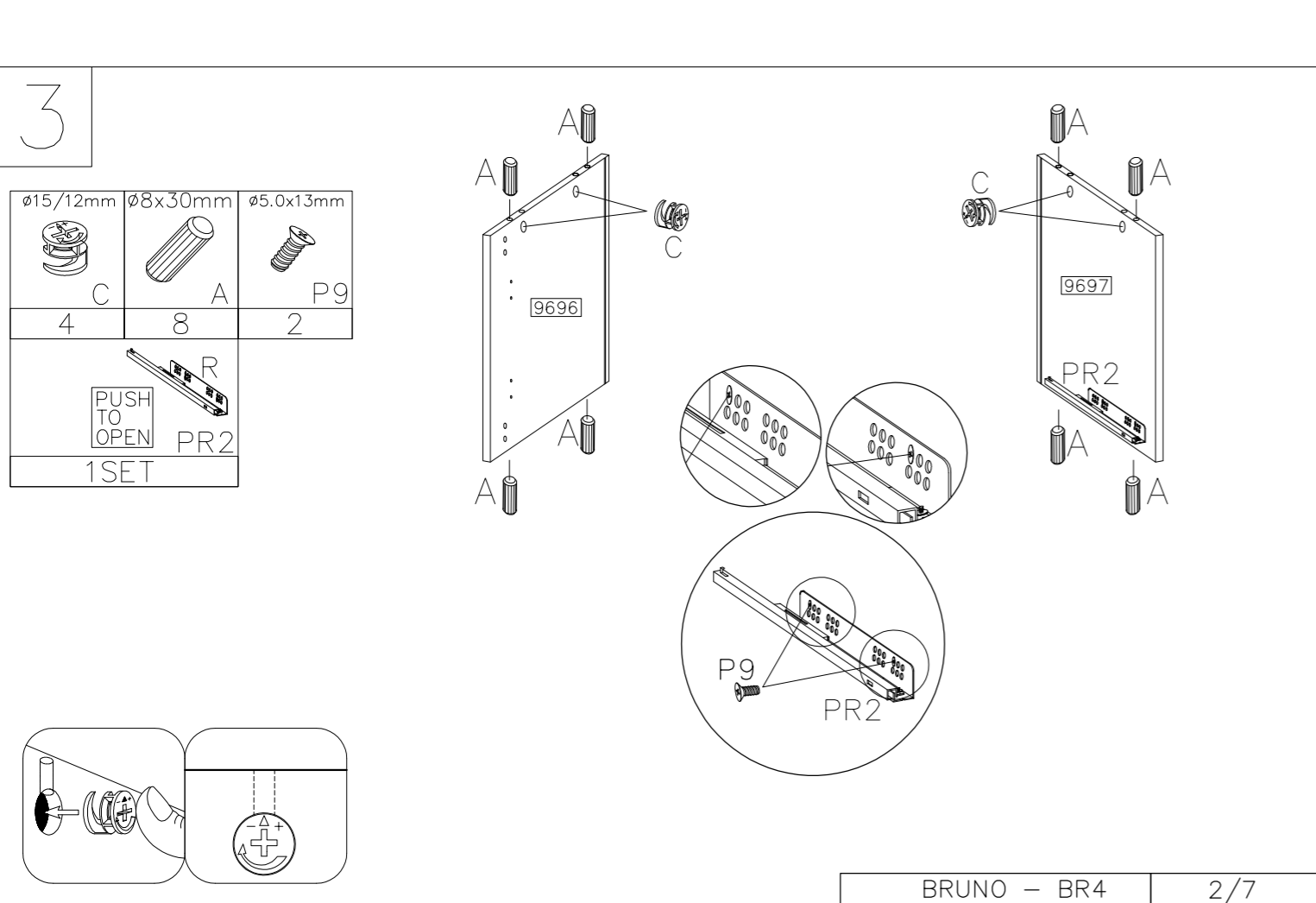
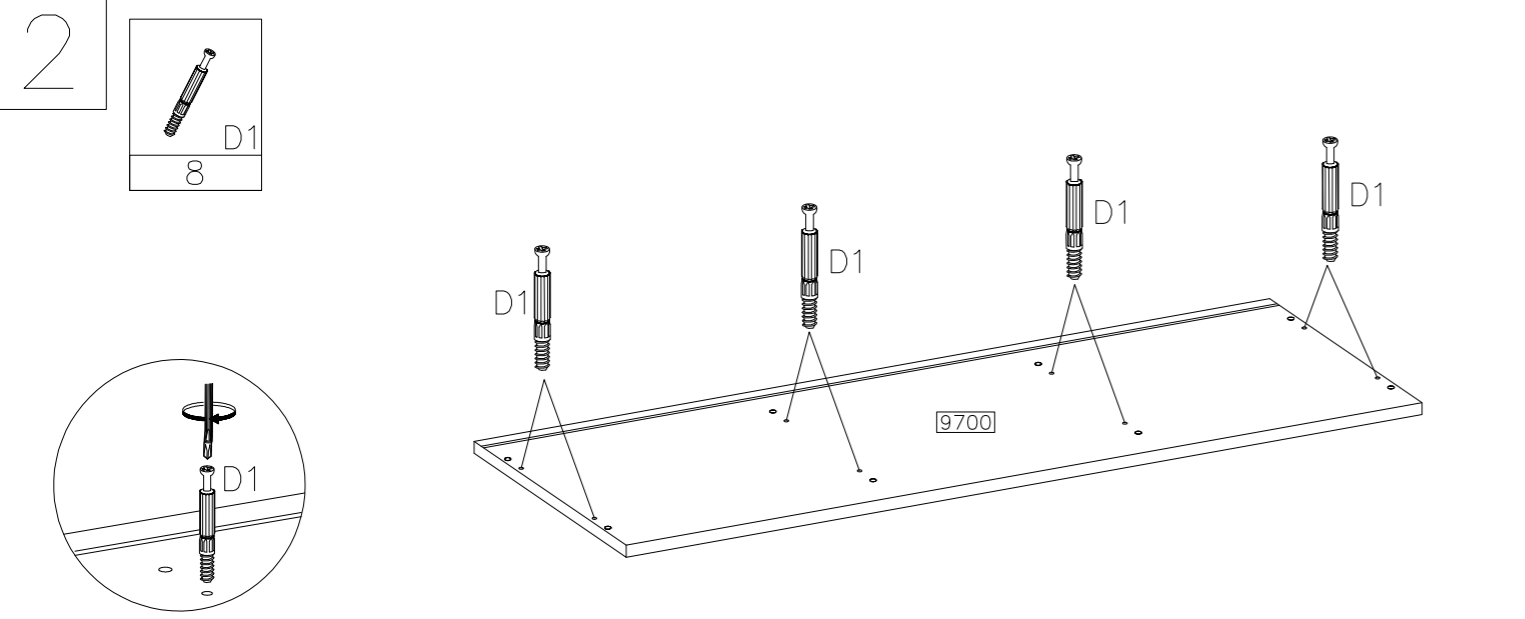
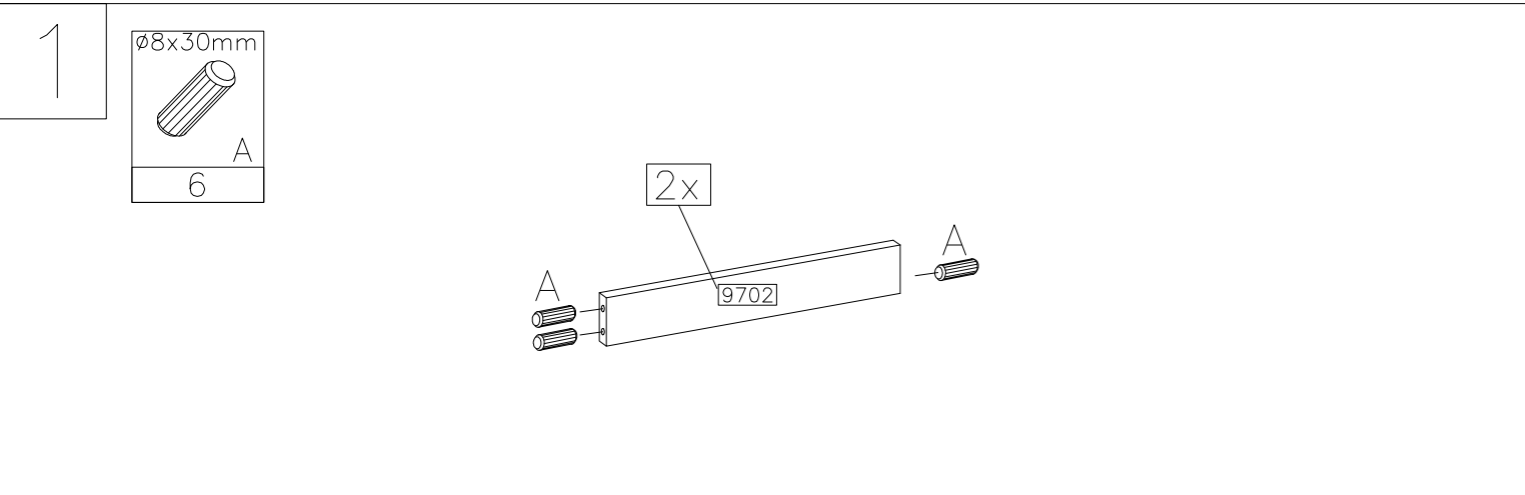


WALL DRILL

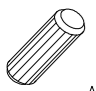
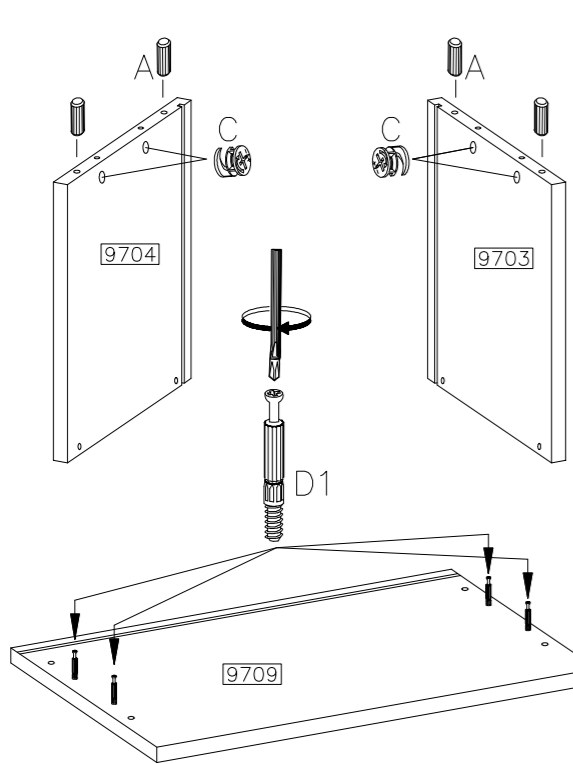

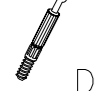


A 26	B 8	C 12	D1 12	E 12	E1 8	G7 2	G6 2	P13 12
O 1	P9 12	L 8	C5 2	P4 4	N 1	U 4		
P1 12	L 1SET	R PR2	F4 5	P8 15	P7 2			


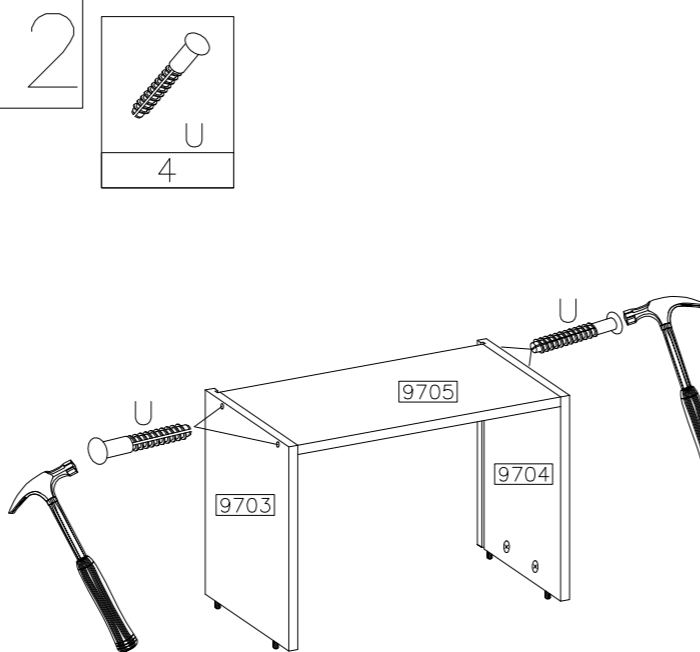





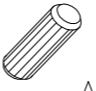
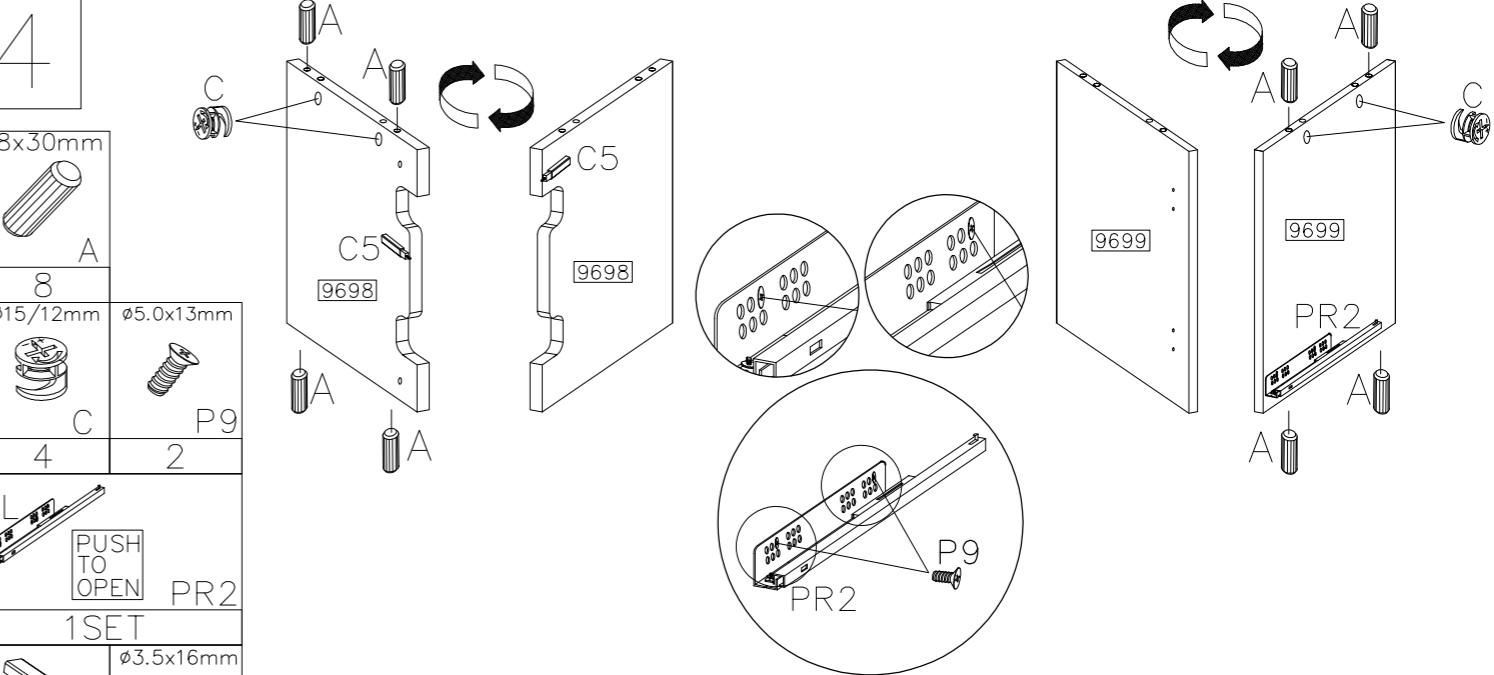



11

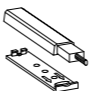

$\varnothing 8 \times 30 \text{mm}$  A 4	
$\varnothing 15/12 \text{mm}$  C 4	
 D1 4	

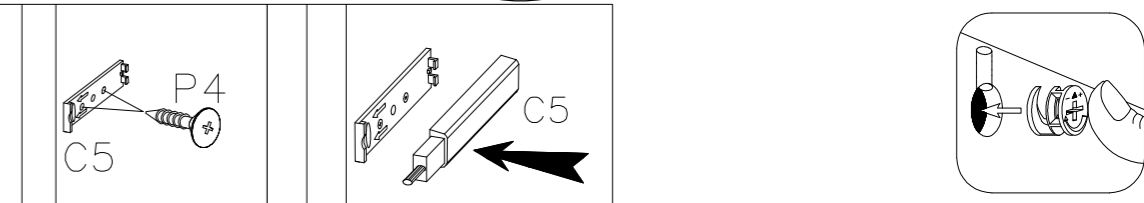
12

 U 4	
	

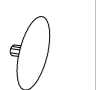
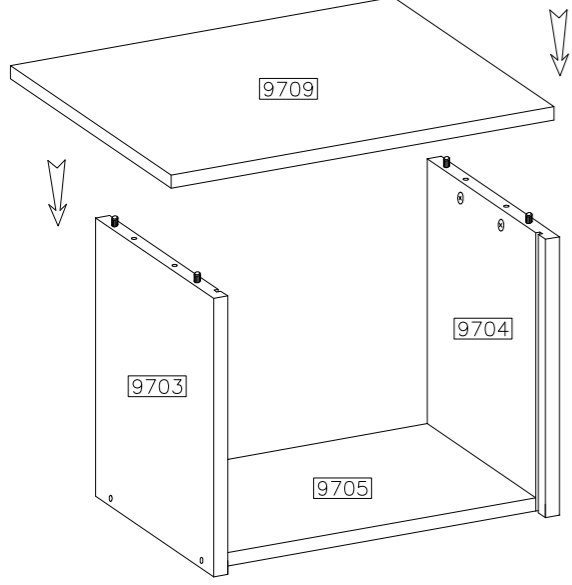
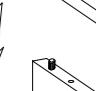
4

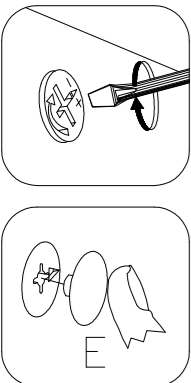
$\varnothing 8 \times 30 \text{mm}$  A 8	
$\varnothing 15/12 \text{mm}$  C 4	
$\varnothing 5.0 \times 13 \text{mm}$  P9 2	
 L 1 SET	

 C5 2	$\varnothing 3.5 \times 16 \text{mm}$  P4 4
------------------------------------------------------------------------------------------------	-----------------------------------------------------------------------------------------------------------------------------------------


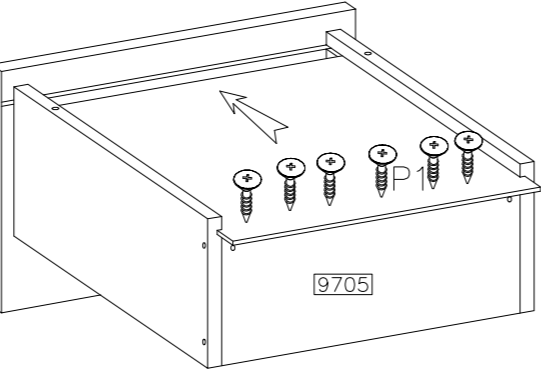
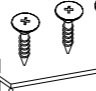


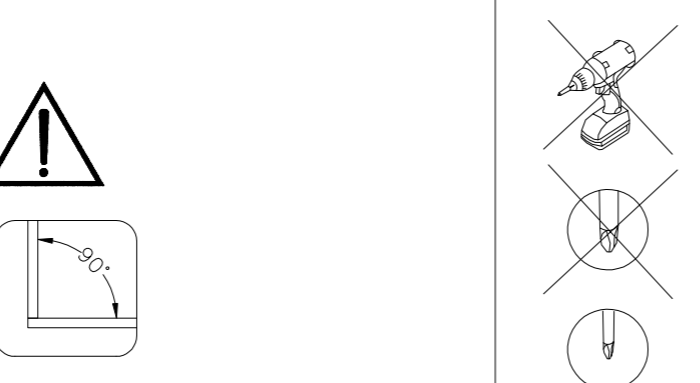
13

 E 4	
 E1 8	


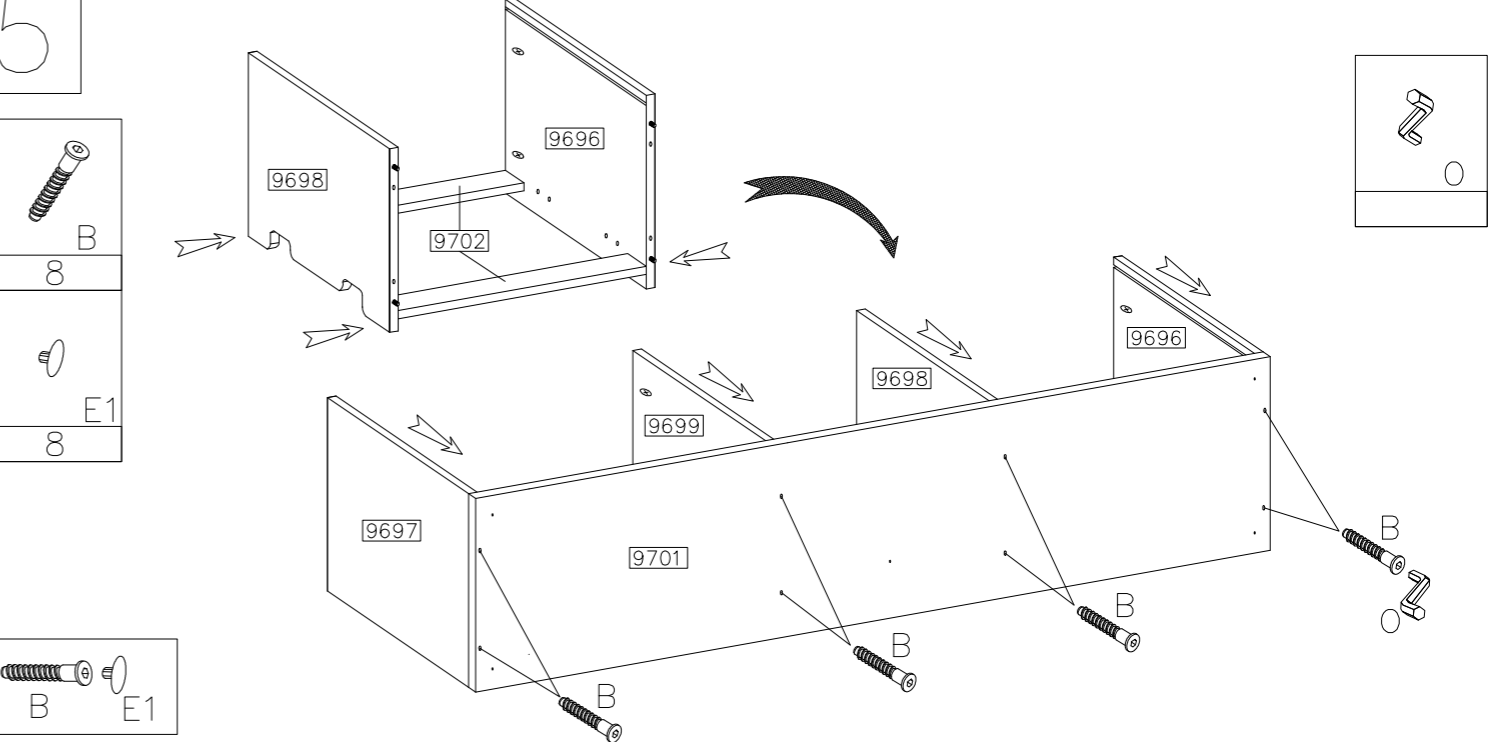
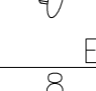


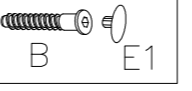
14

$\varnothing 3.0 \times 16 \text{mm}$  P1 6	
 P 6	


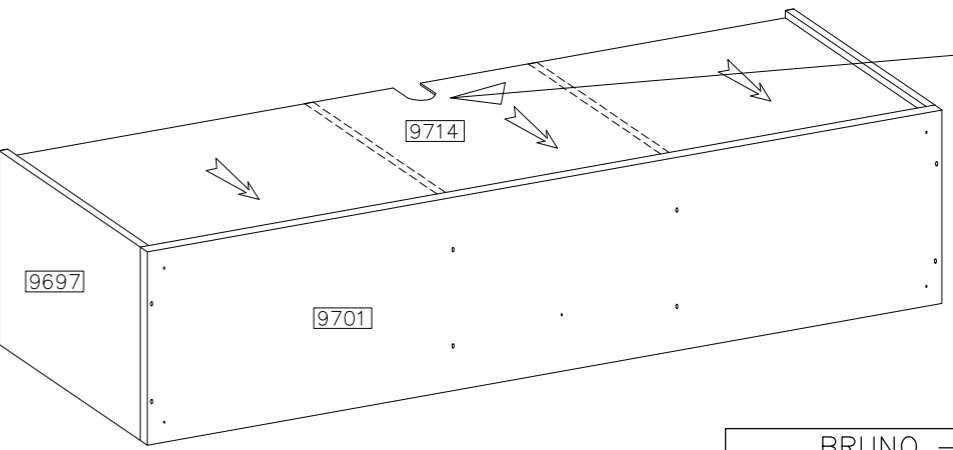


5

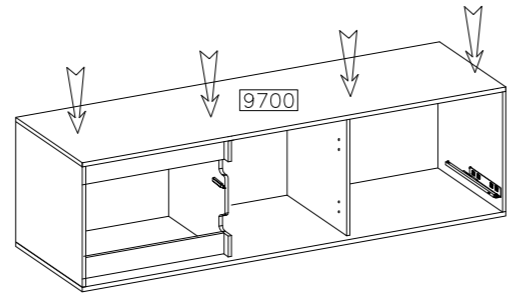
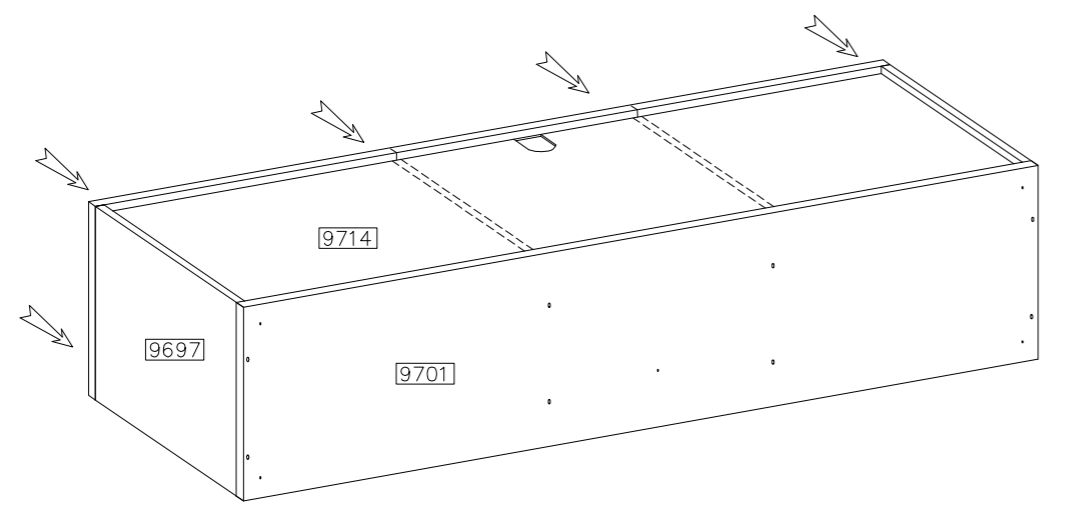
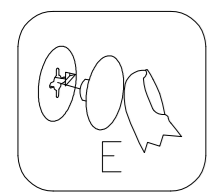
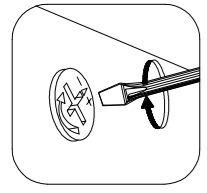
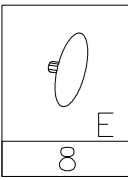
 B 8	
 E1 8	



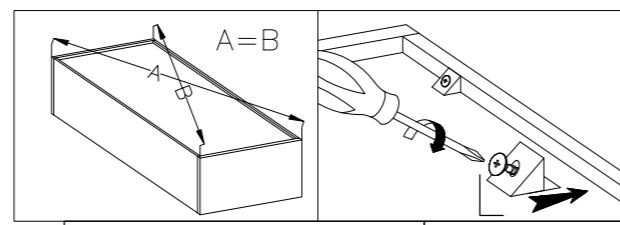
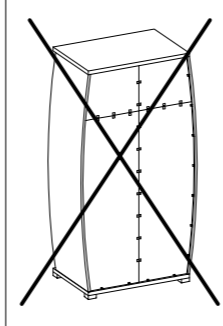
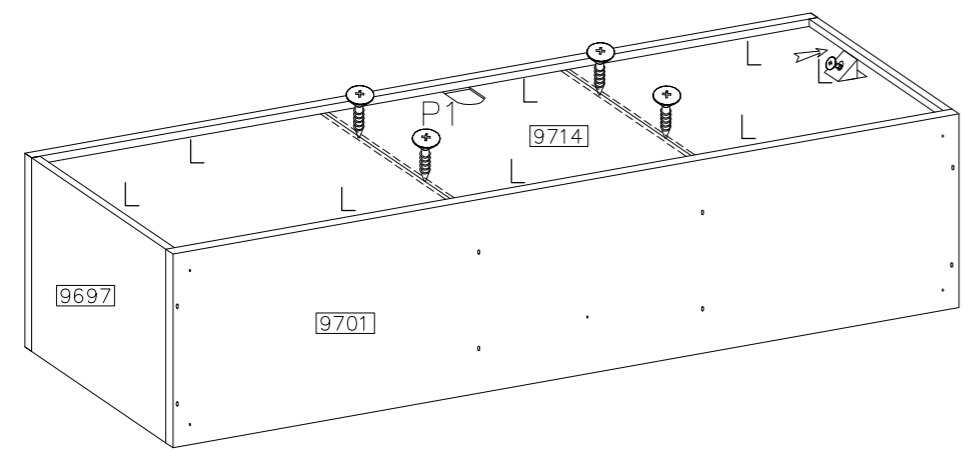
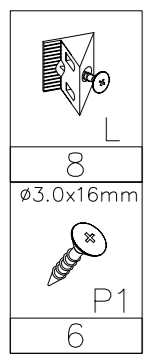
6

	
---------------------------------------------------------------------------------------	---------------------------------------------------------------------------------------

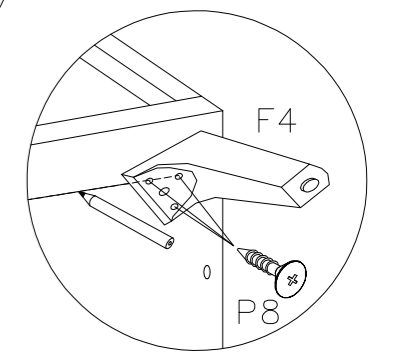
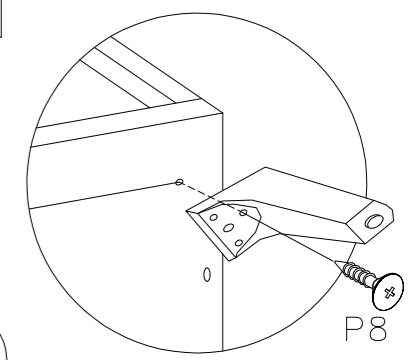
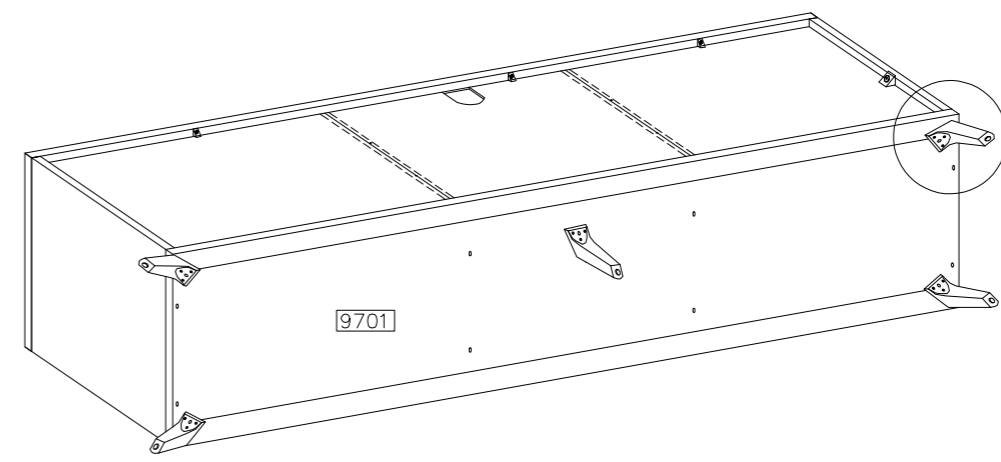
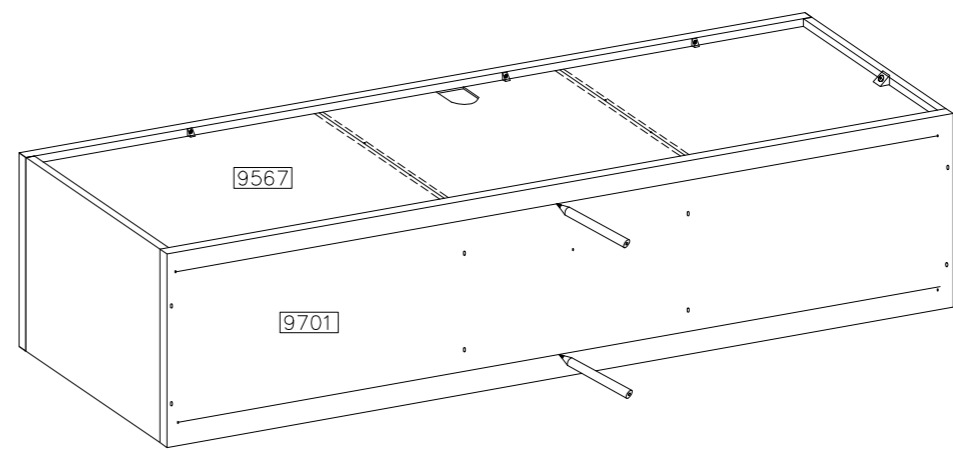
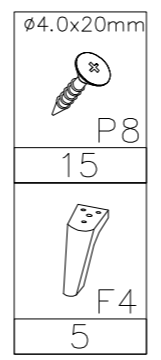
7



8



9



10

$\phi 35/KR-0$	5.0x13mm	3.0x13mm	$\phi 35/KR-15$
G6	P9	P13	G7
2	8	12	2

