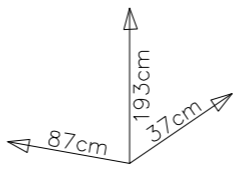
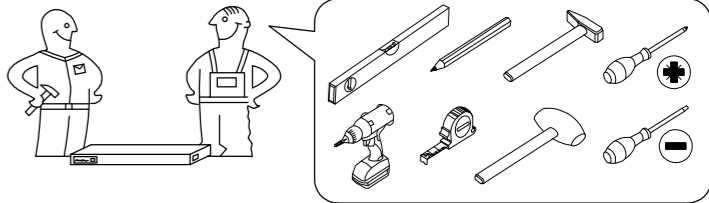


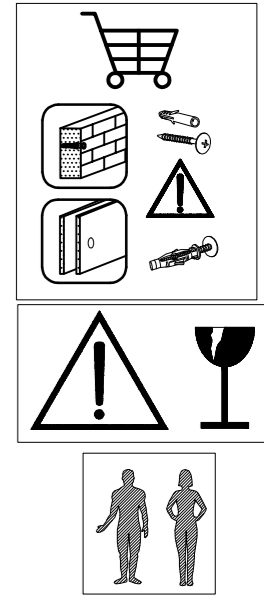
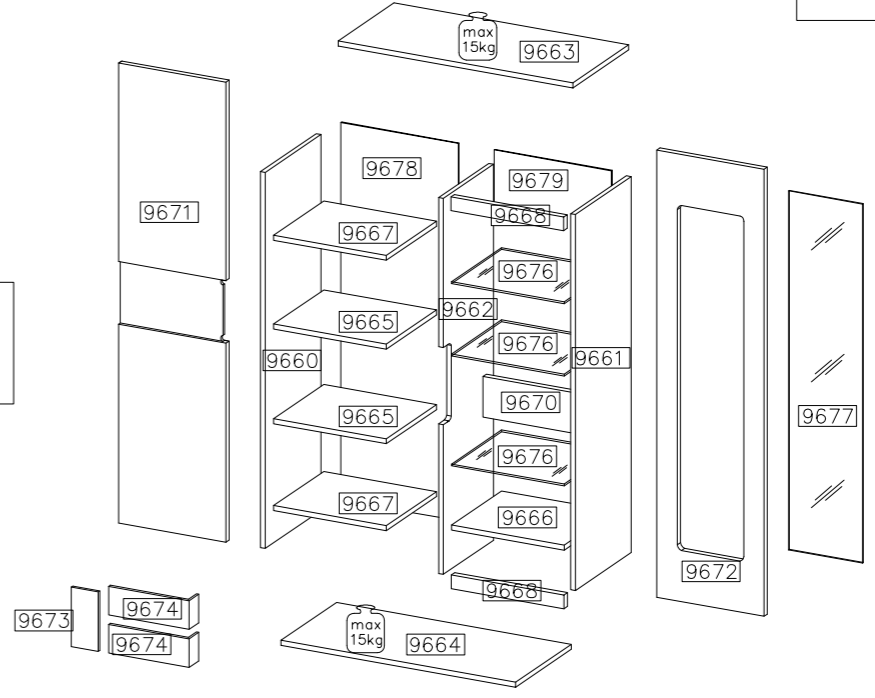
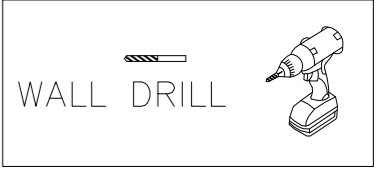
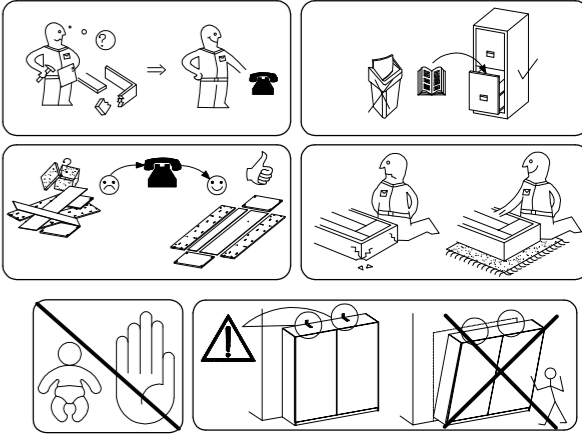
# BRUNO

## BR2

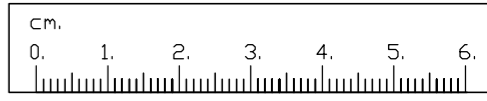


PUSH TO OPEN

#	ART. NR	L	W	T	Q	Col.No
1	9663	870	404	16	1	1
2	9664	870	404	16	1	1
3	9665	407	364	16	2	1
4	9666	413	314	16	1	1
5	9667	407	354	16	2	1
6	9670	413	230	16	1	1
7	9674	345	153	6	2	1
8	9675	56	153	6	2	1
9	9676	412	310	6	3	1
10	9660	1808	384	16	1	2
11	9661	1808	404	16	1	2
12	9662	1808	364	16	1	2
13	9668	413	60	16	2	2
14	9678	422	1823	2,5	1	2
15	9679	429	1823	2,5	1	2
16	9671	1800	438	16	1	3
17	9672	1768	407	16	1	3
18	9673	310	100	10	1	3
19	9677	1340	280	4	1	3

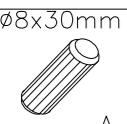


A 28	B 12	C 12	D1 12	E 12	E1 12	G7 4	G6 4	V1 1
O 1	P9 16	L 12	C5 2	P4 4	N 1	P13 12	V2 3	S1 1
F8 16	P1 42	F4 5	P8 15	J4 12	J5 12	U 12		

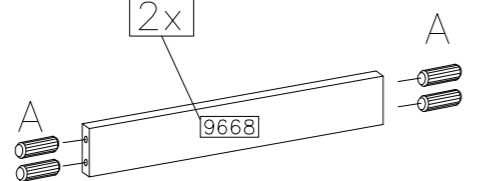


1

$\varnothing 8 \times 30 \text{mm}$
A
8

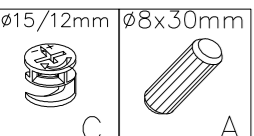
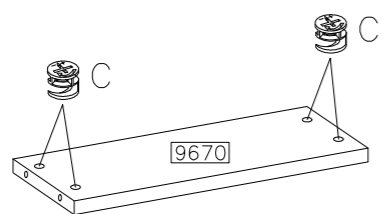
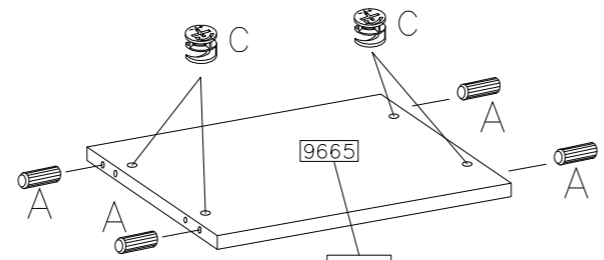
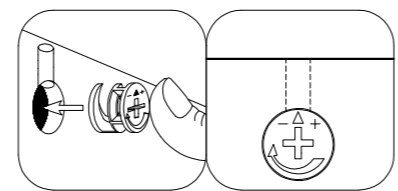


2x



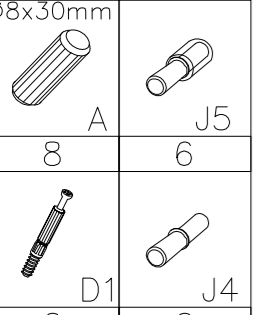
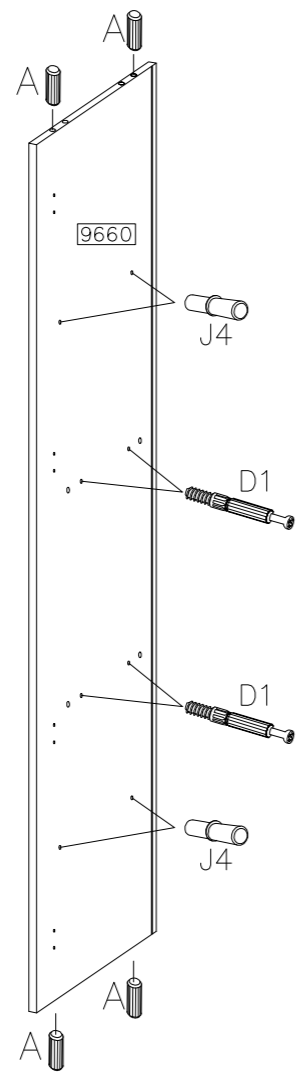
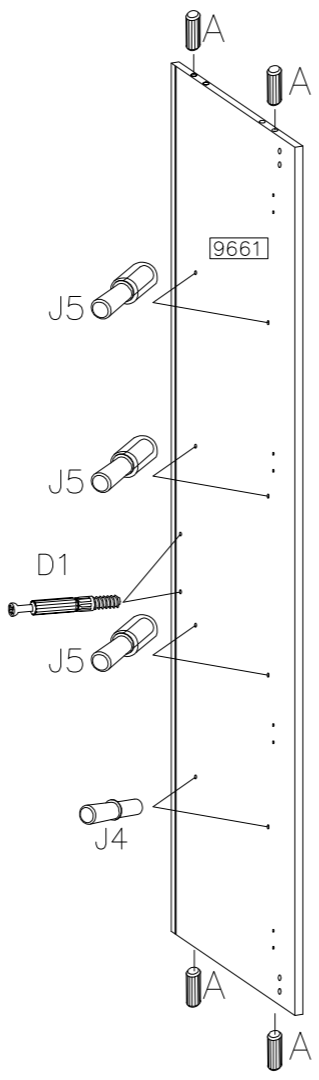
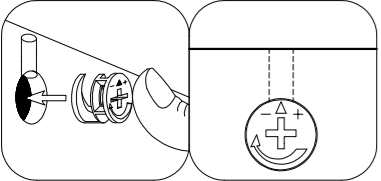
2

$\varnothing 15/12 \text{mm}$	$\varnothing 8 \times 30 \text{mm}$
C	A
12	8

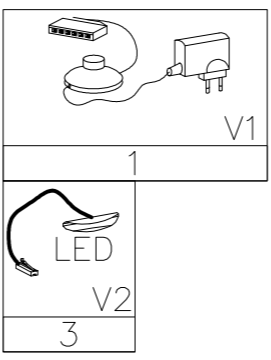
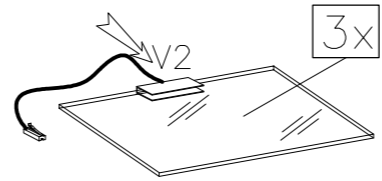
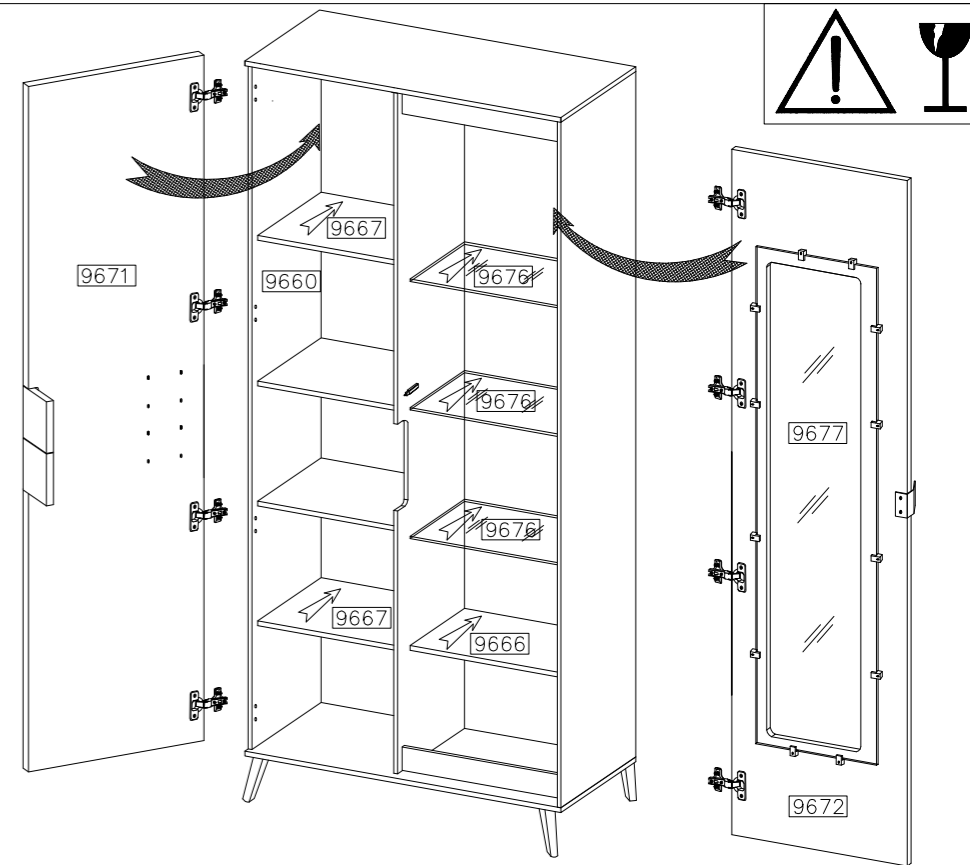

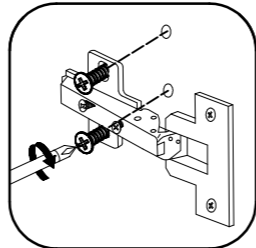
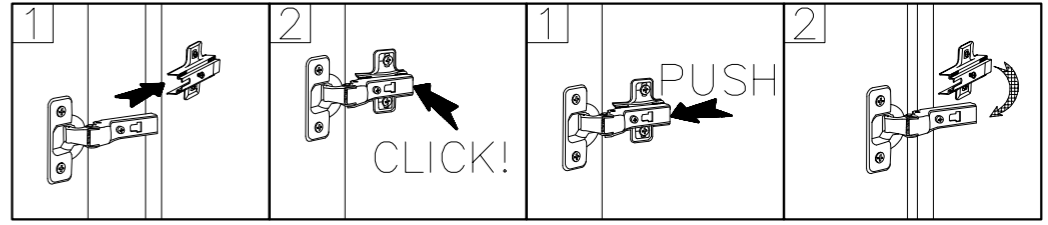





3

$\varnothing 8 \times 30 \text{mm}$	
A	J5
8	6
D1	J4
6	6

12

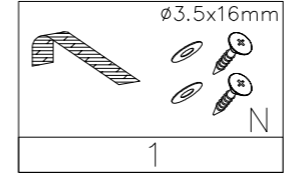
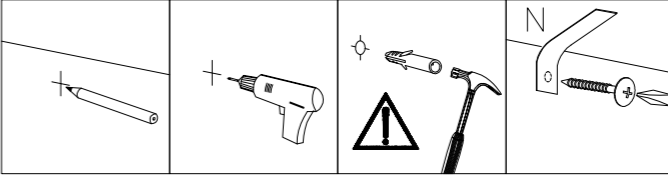
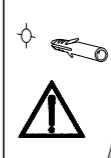
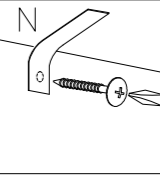
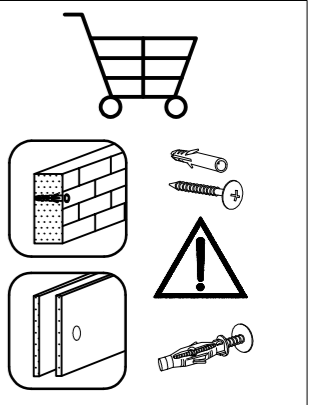







CLICK!

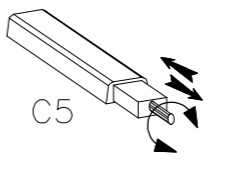
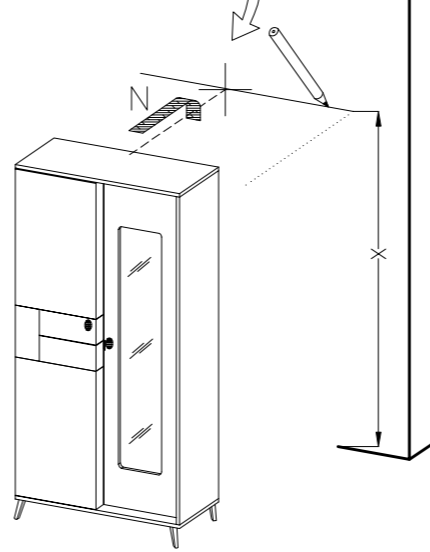
PUSH

13

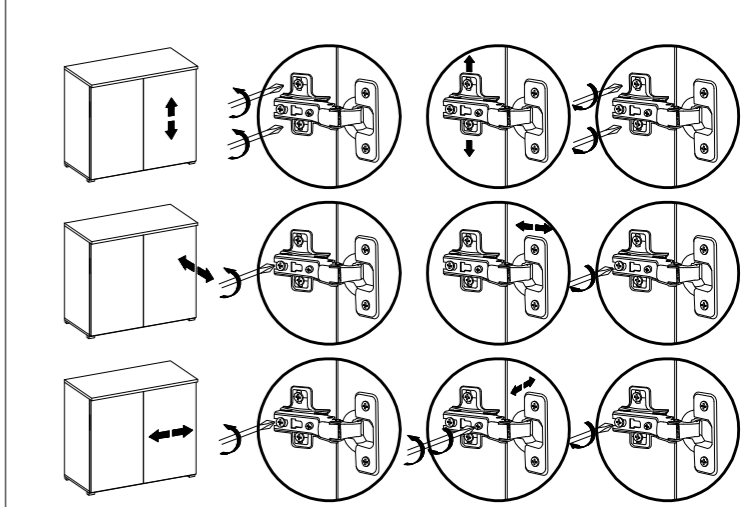
$\varnothing 3.5 \times 16 \text{mm}$
N
1


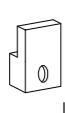
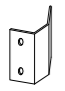
REGULATION

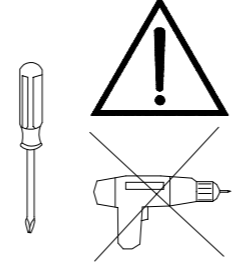
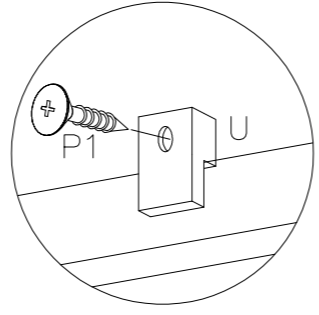
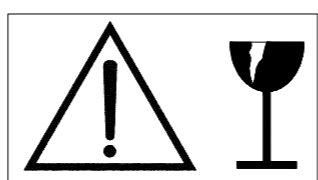
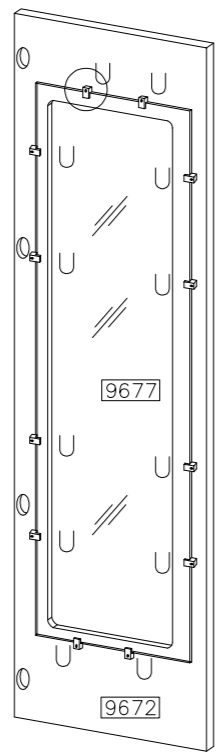



PUSH TO OPEN

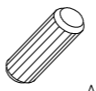

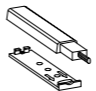





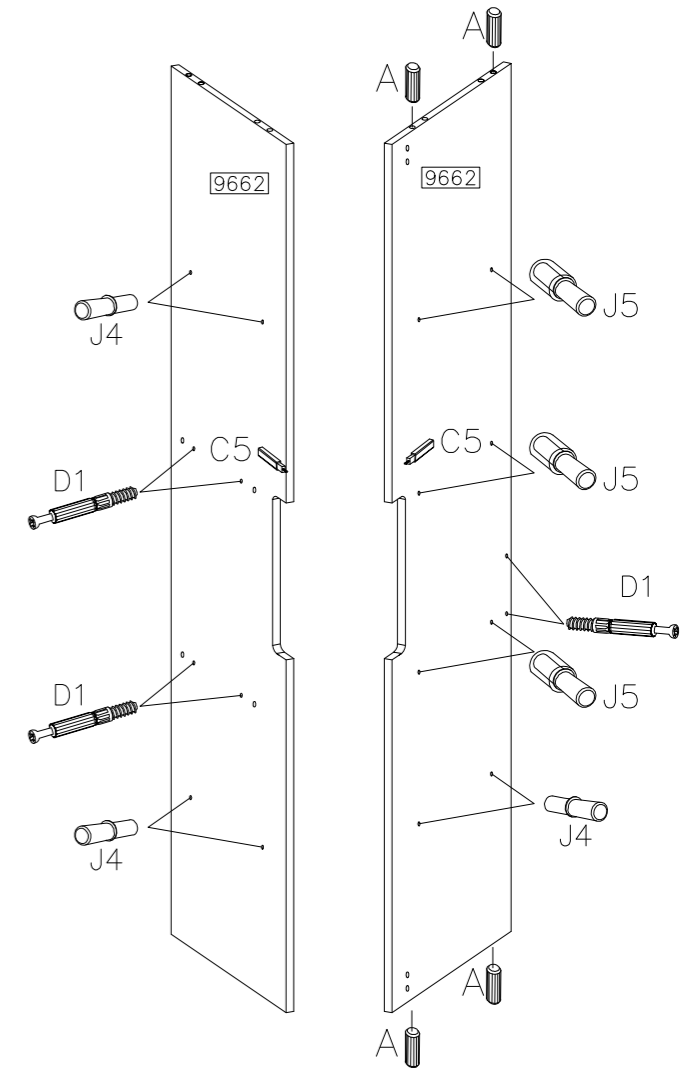
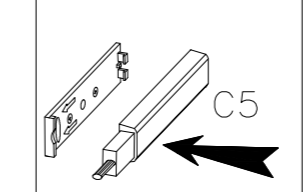
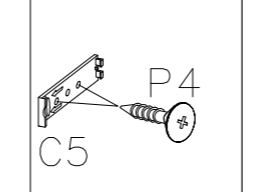
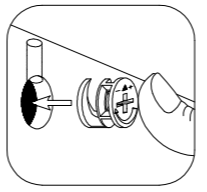
10

$\varnothing 3.0 \times 16 \text{mm}$  P1 14	 U 12
 S1 1	


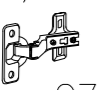


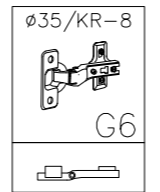
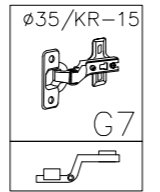
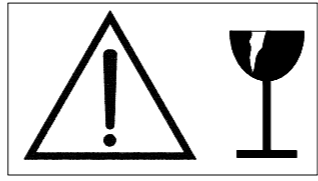
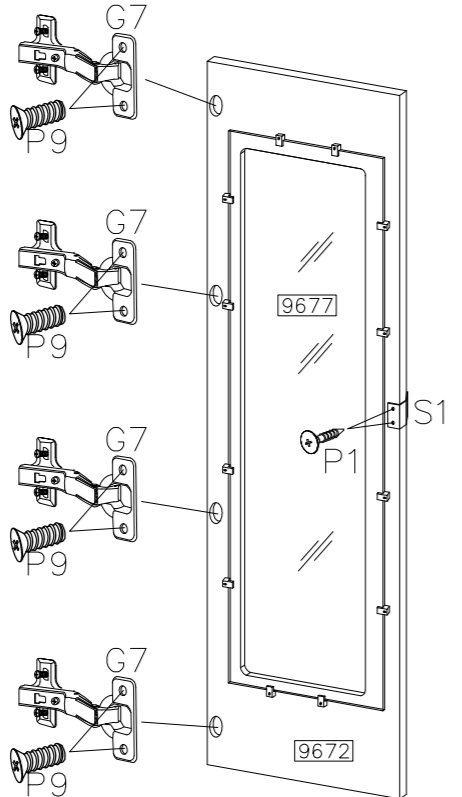
4

$\varnothing 8 \times 30 \text{mm}$  A 4	 J4 6
 C5 2	$\varnothing 3.5 \times 16 \text{mm}$  P4 4
 J5 6	 D1 6

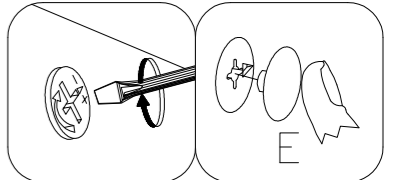
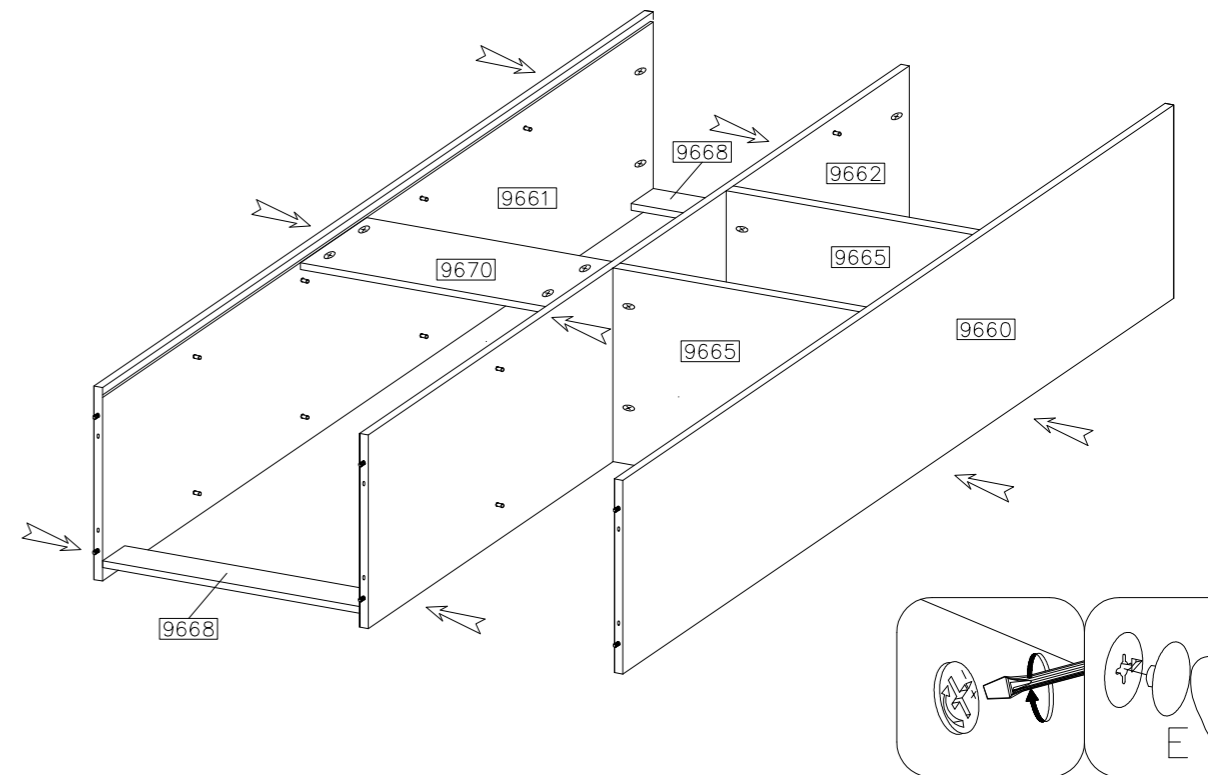
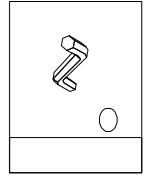
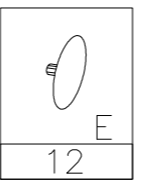


11

$5.0 \times 13 \text{mm}$  P9 8	$\varnothing 35 / \text{KR-15}$  G7 4
---	---

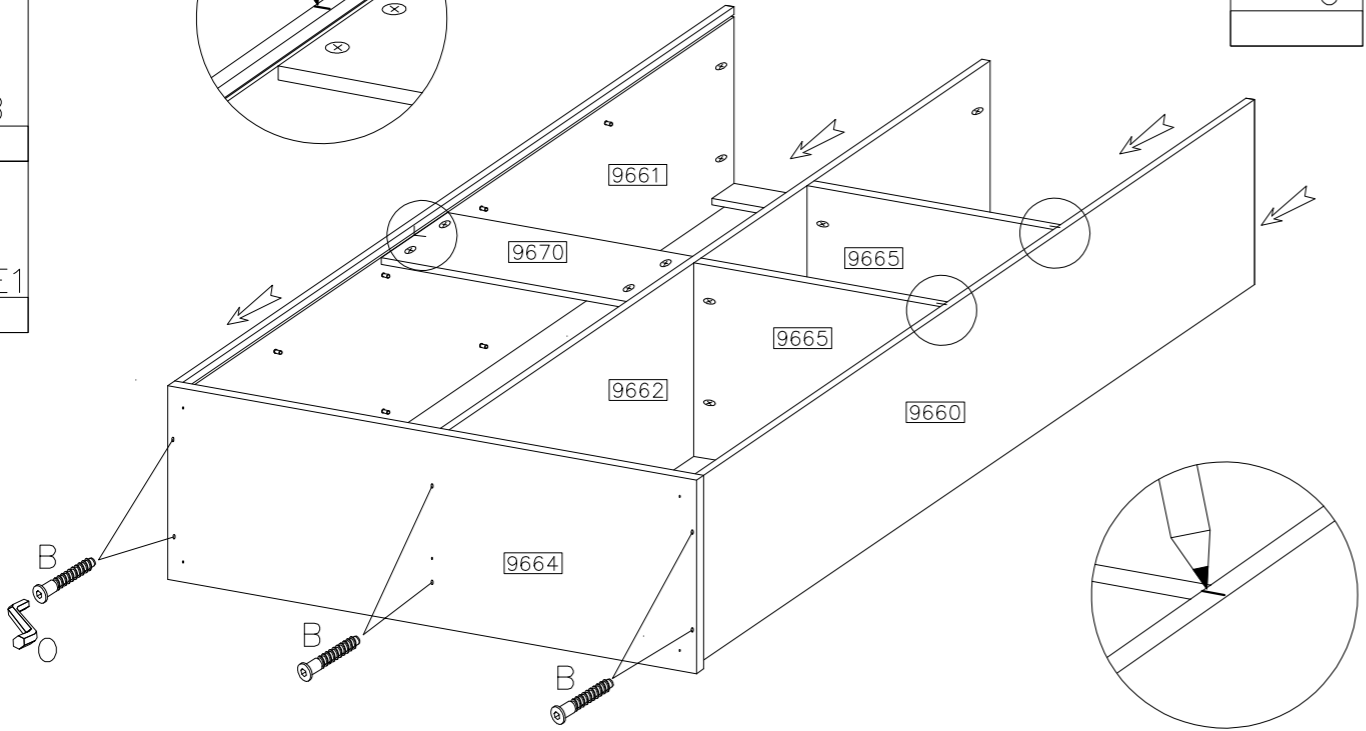
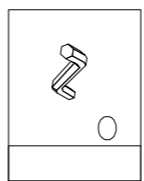
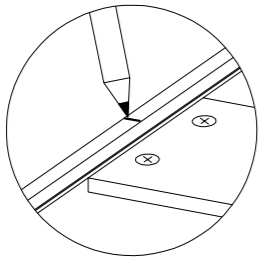


5



6

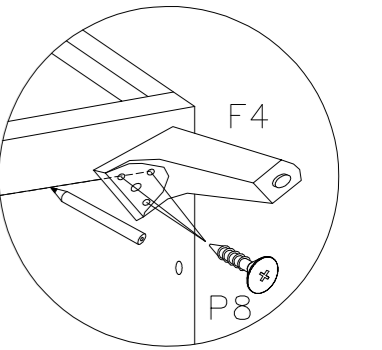
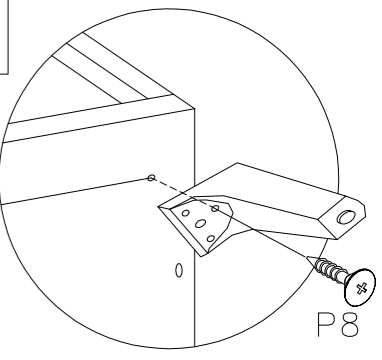
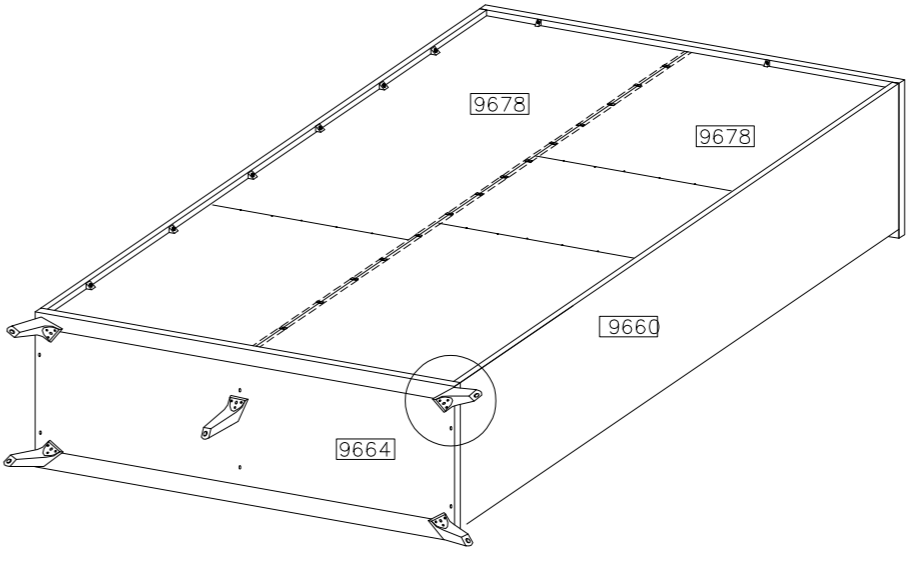
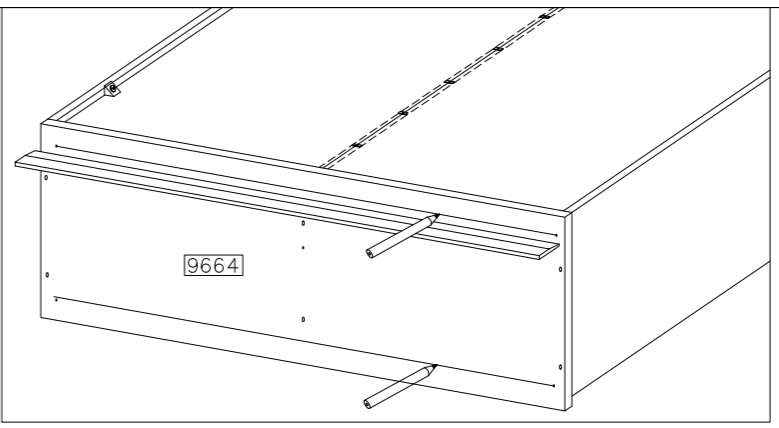
- B
- 6
- E1
- 6



- B
- E1

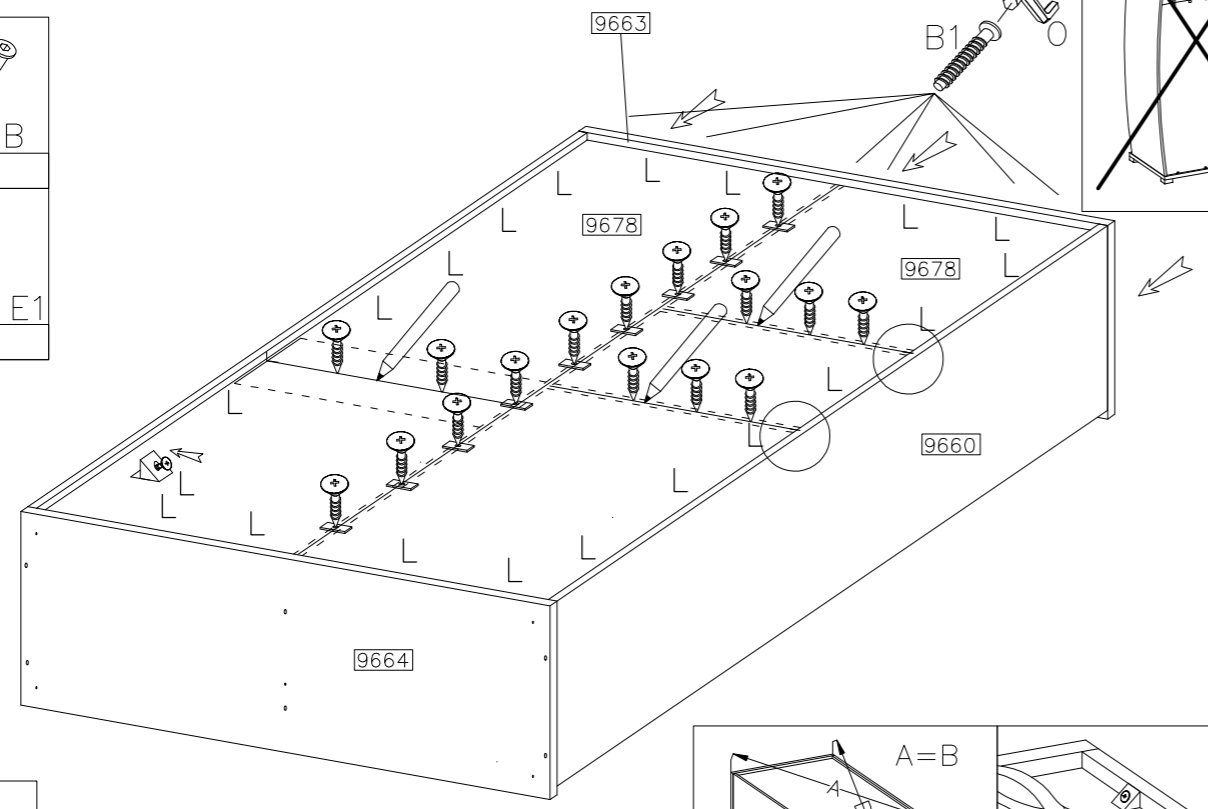
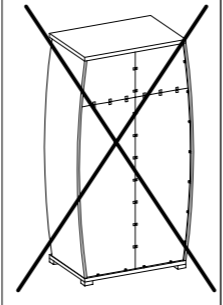
8

- Ø4.0x20mm
- P8
- 15
- F4
- 5

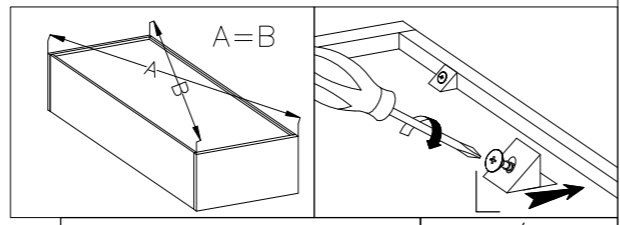


7

- L
- B
- 16
- 6
- F8
- E1
- 16
- 6
- Ø3.0x16mm
- P1
- 26



- B
- E1



9

- Ø35/KR-0
- G6
- 4
- 5.0x13mm
- P9
- 8
- 3.0x13mm
- P13
- 12

- Ø35/KR-15
- G7



- Ø35/KR-8
- G6

