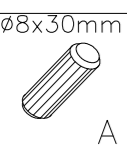
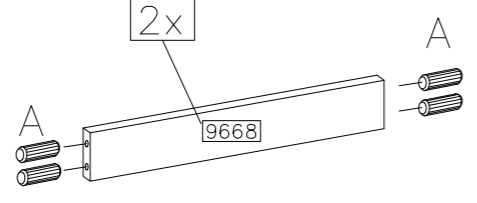





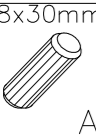
1

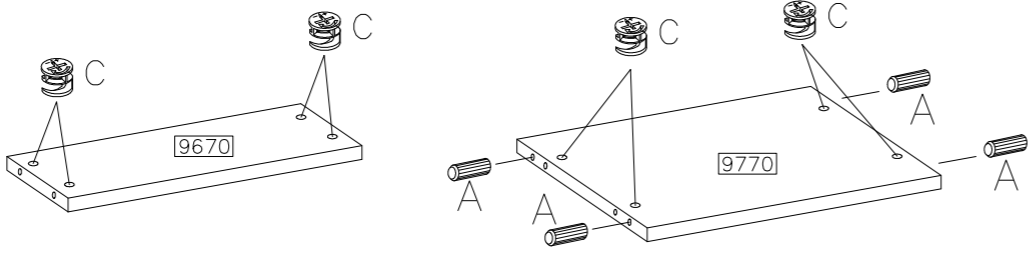
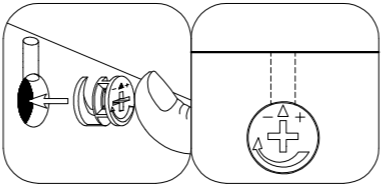
	8
--	---

2x








2

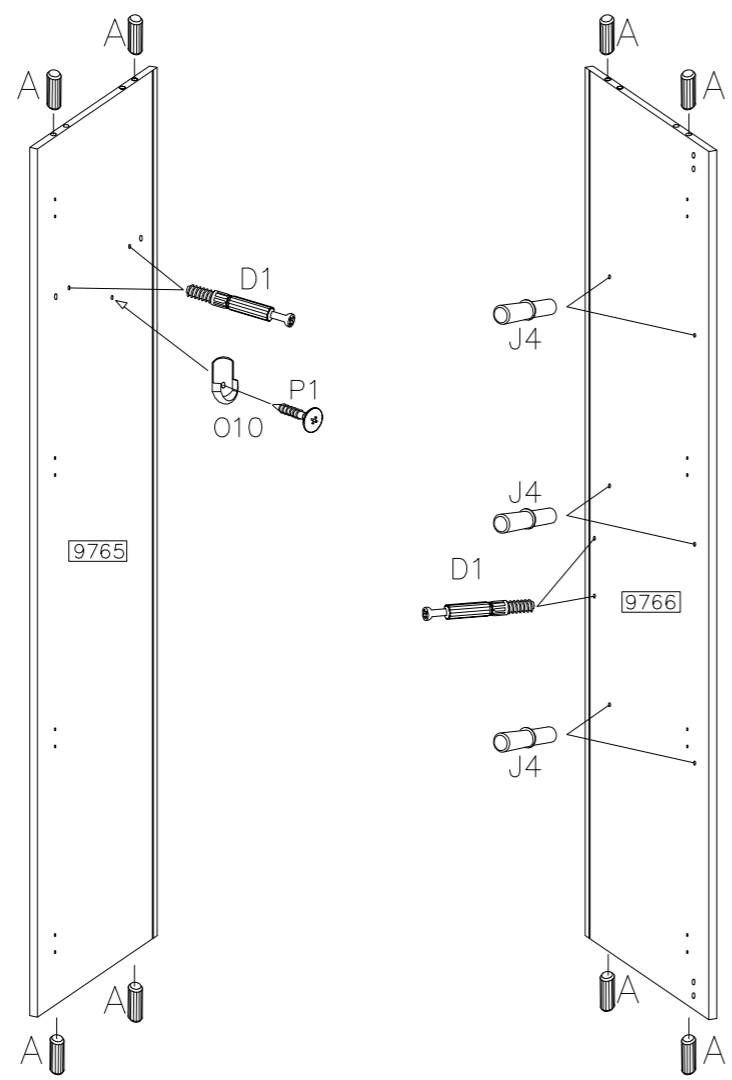
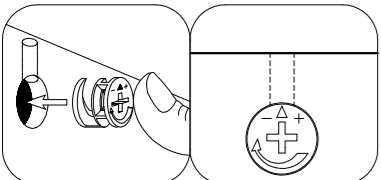
	8
	4



3

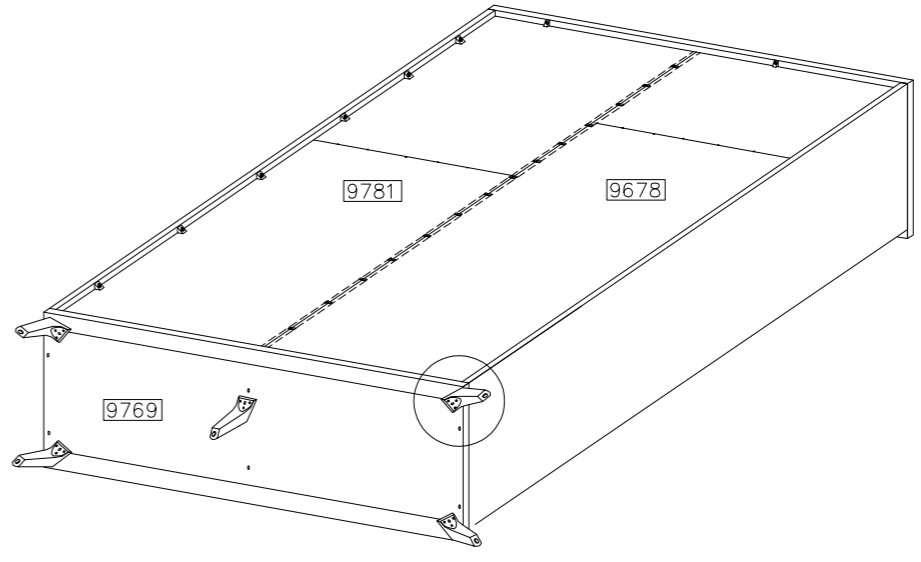
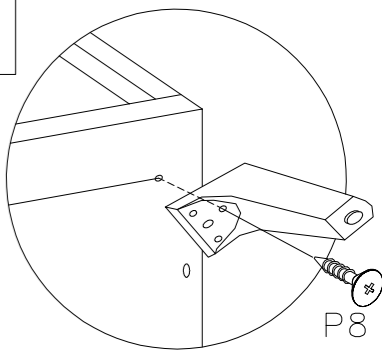
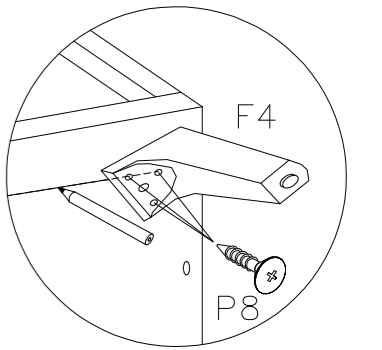
	8
	4
	6
	1
	1

Ø3.0x16mm

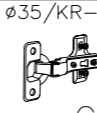


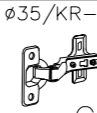





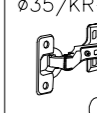

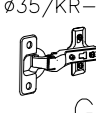
8

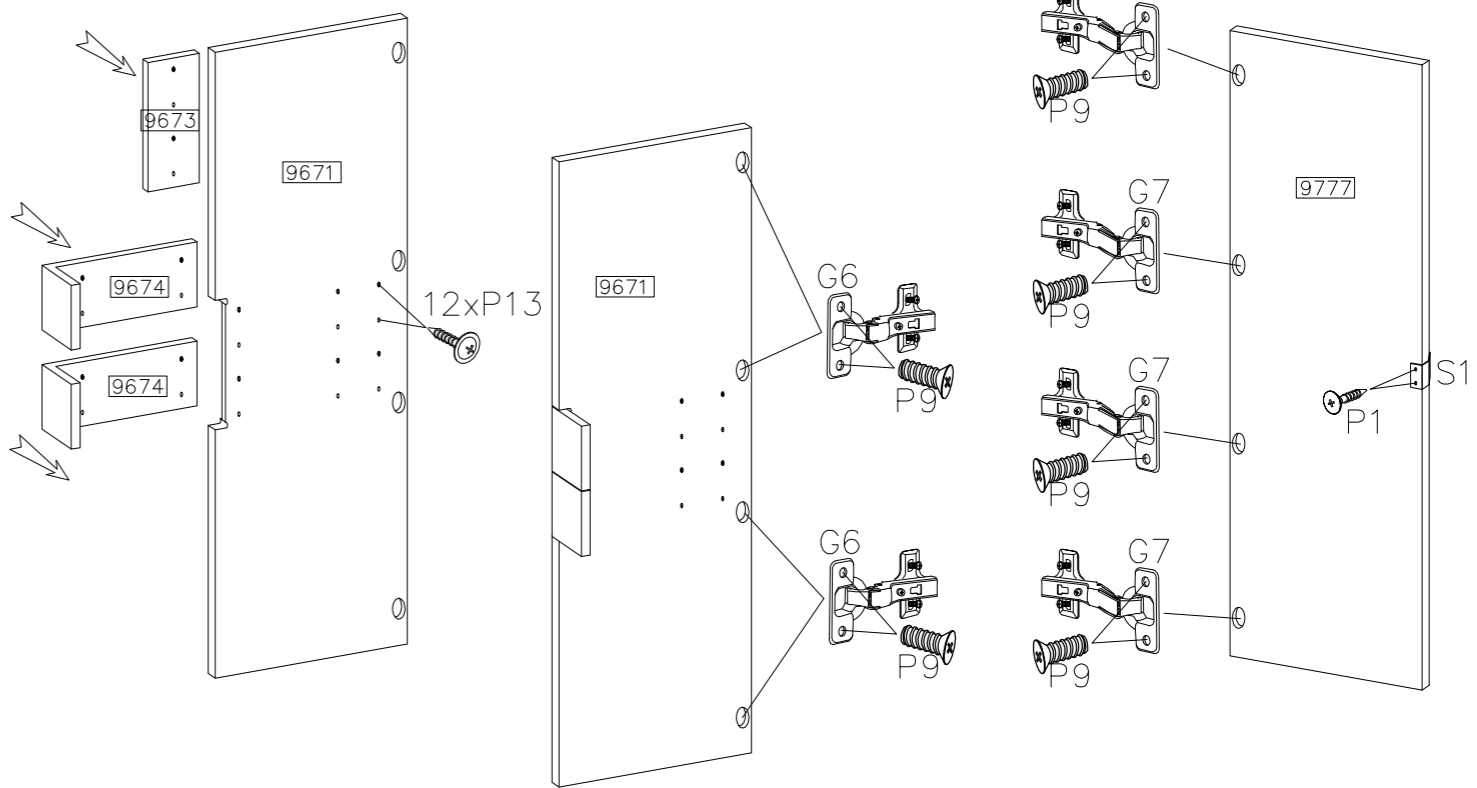
	15
	5

9

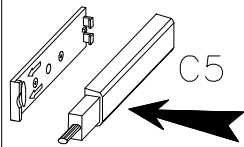
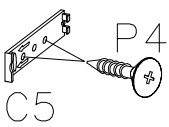
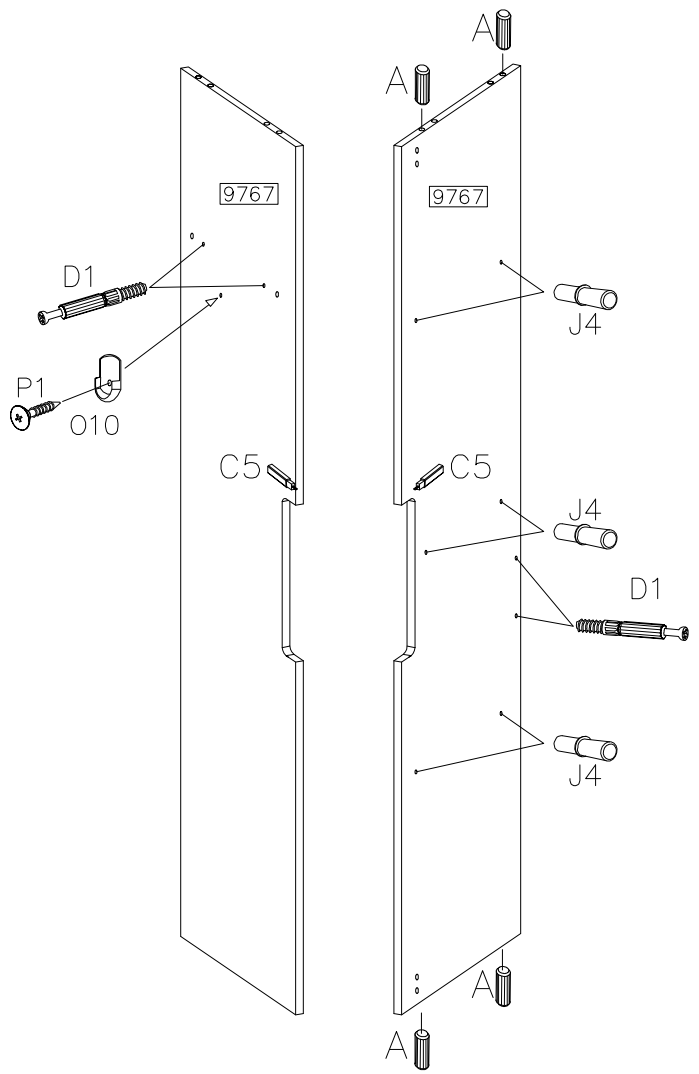
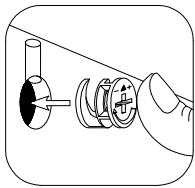
	4		16		12		4		1		2
---	---	---	----	---	----	---	---	---	---	---	---

	4			4
---	---	---	---	---

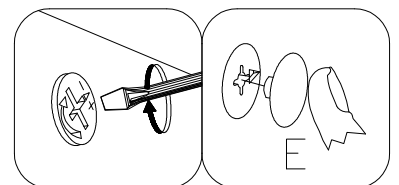
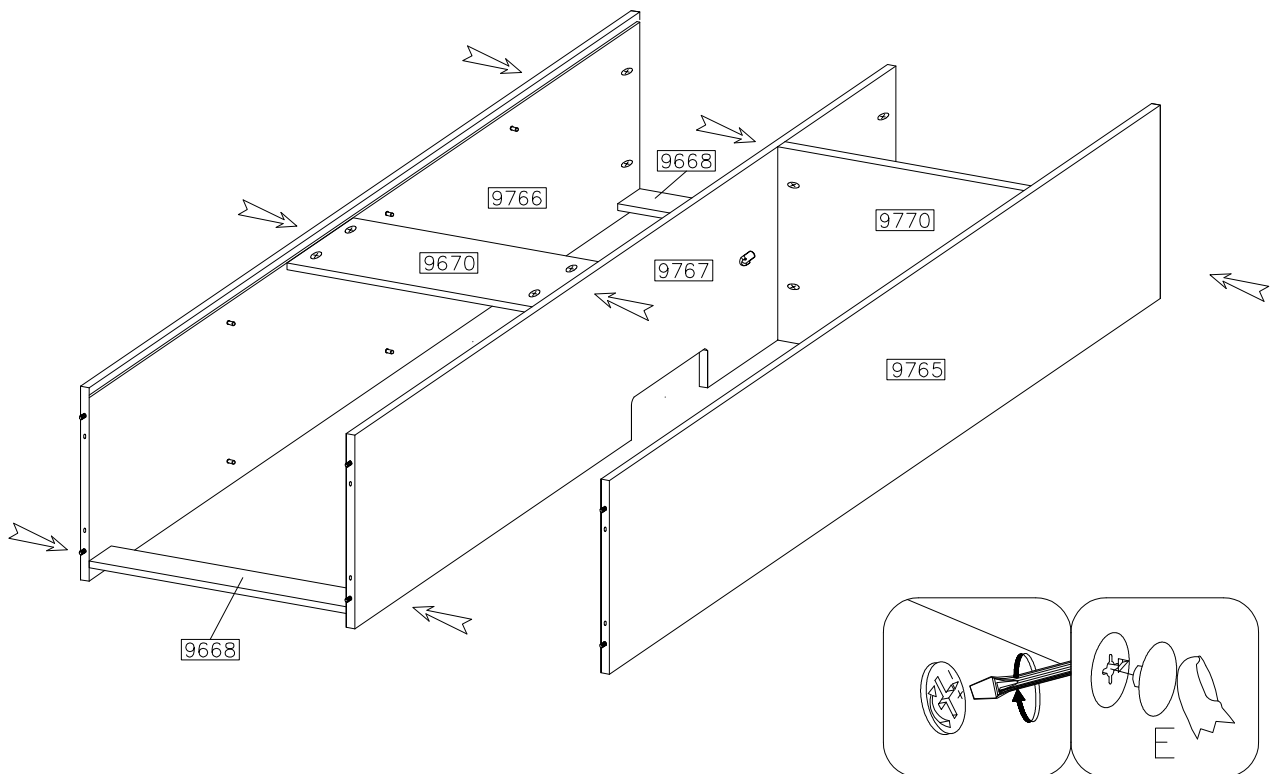
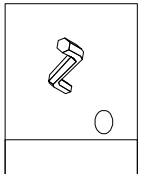
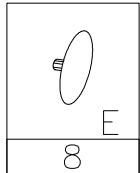


4

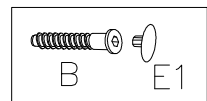
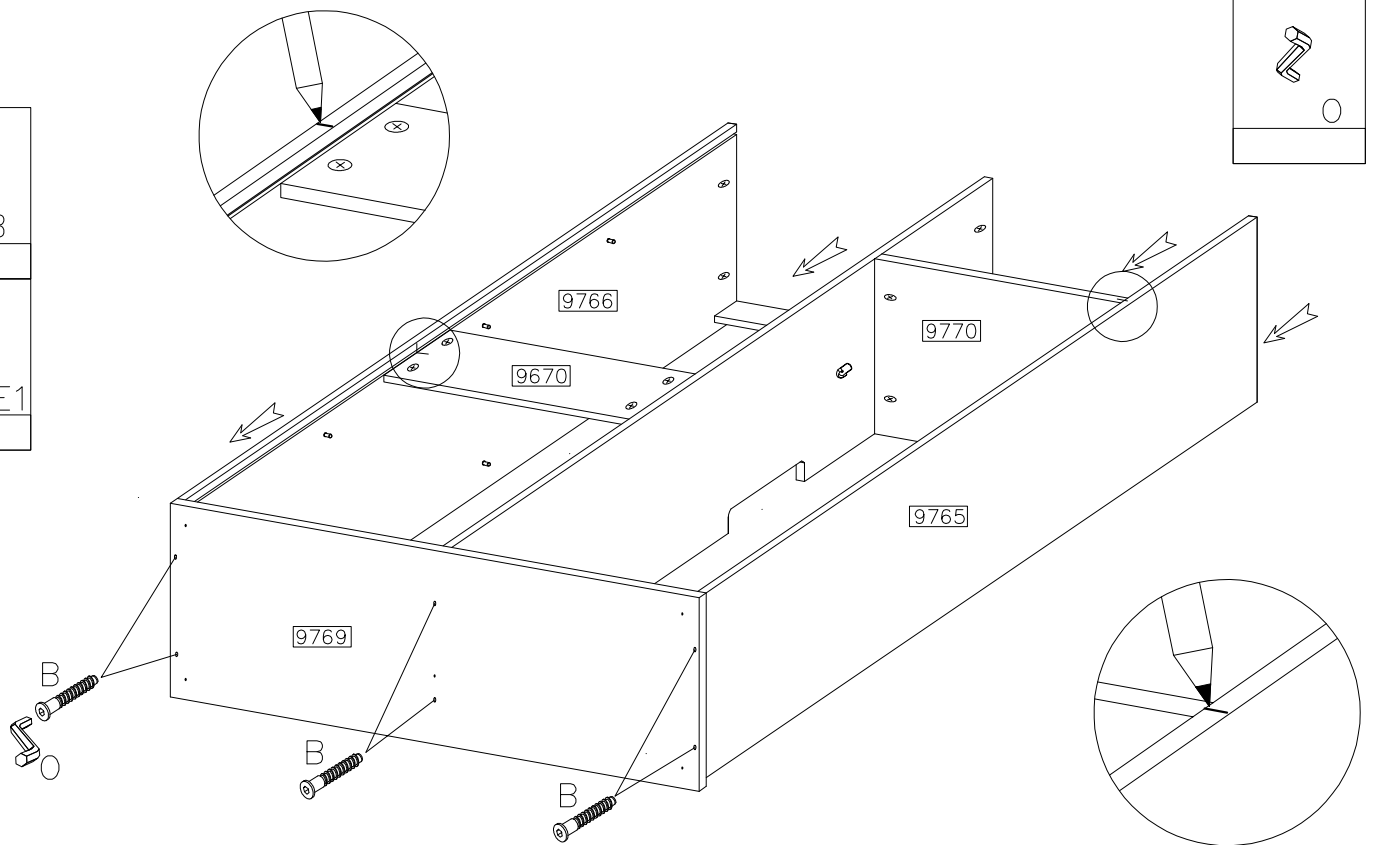
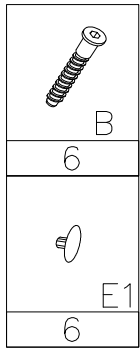
<p>∅8x30mm</p> <p>A</p> <p>4</p>	<p>J4</p> <p>6</p>	<p>D1</p> <p>4</p>
<p>C5</p> <p>2</p>	<p>∅3.5x16mm</p> <p>P4</p> <p>4</p>	
<p>O10</p> <p>1</p>	<p>∅3.0x16mm</p> <p>P1</p> <p>1</p>	



5



6



7

