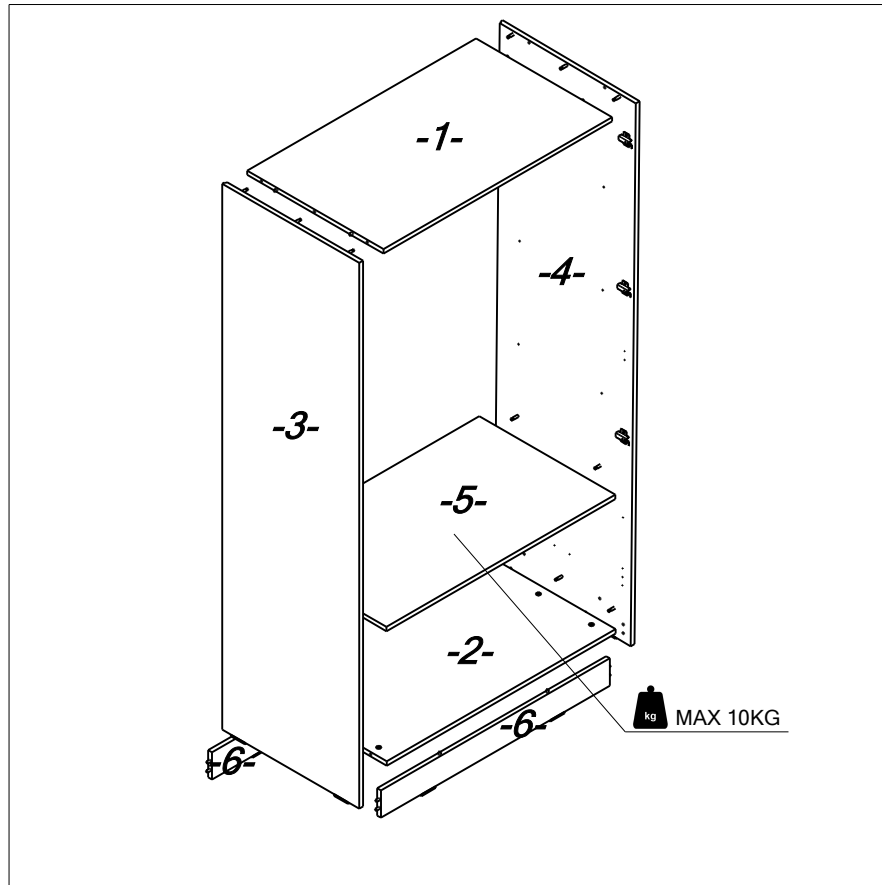
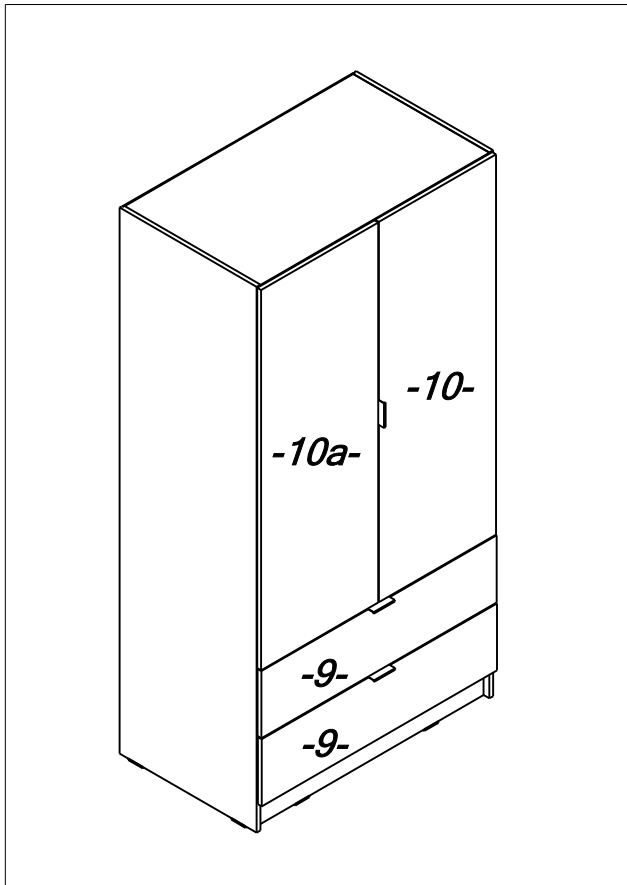
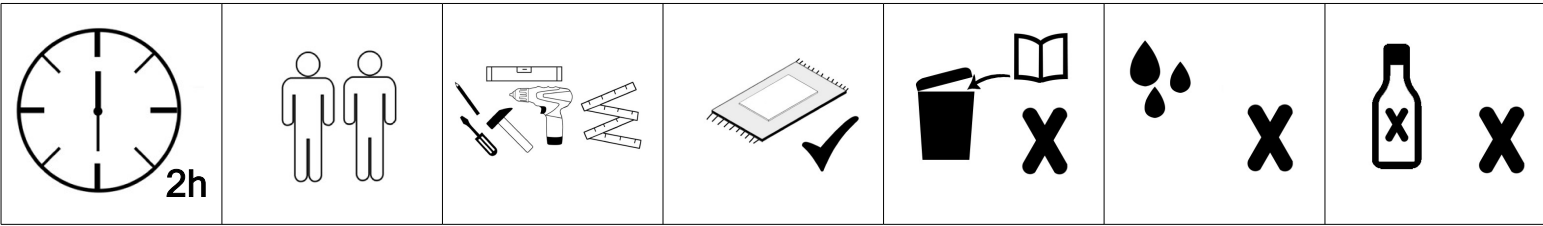
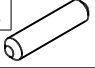



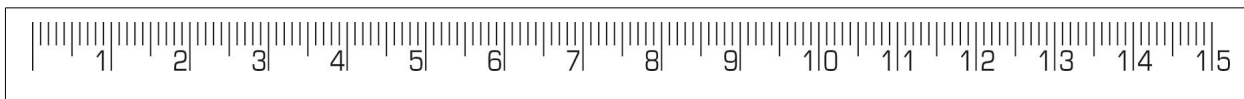
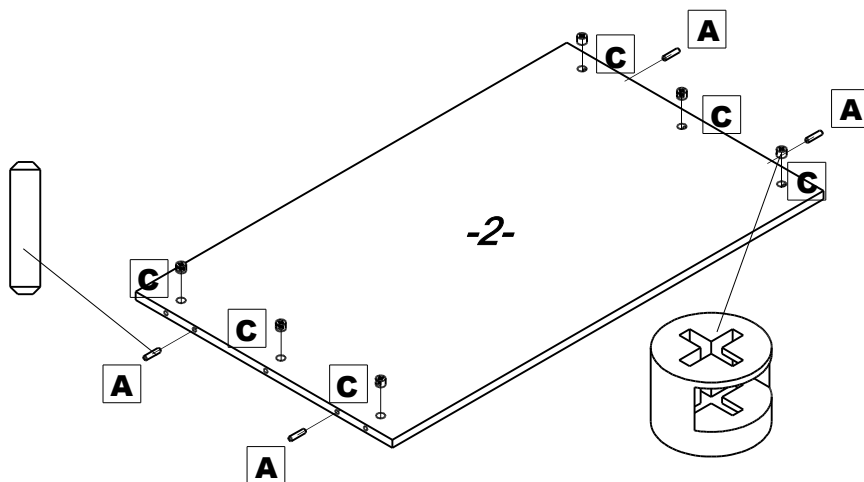
MAXI SZAFKA 100

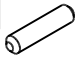

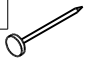


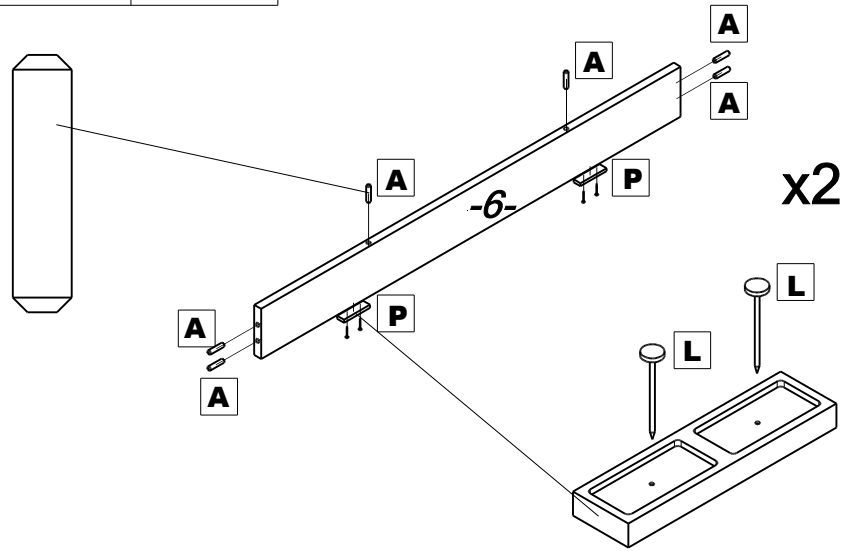
A	35mm x20	B	x24	C	x24	D	6,4x50 x8	E	3,5x16 x52	F	x2
G	x2	H	4x16 x18	J	x6	K	x6	L	x110	M	x2
N	x3	P	x8	R	x8	S	x1	T		U	

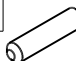

	WYMIARY ELEM.		WYMIARY ELEM.
-1-	968x576	-7-	976x575
-2-	968x576	-8-	4x 400x160
-3-	2000x580	-9-	2x 996x246
-4-	2000x580	-10-	2x 1393x496
-5-	968x575	-11-	2x 1898x491
-6-	2x 968x100	-12-	2x 942x405

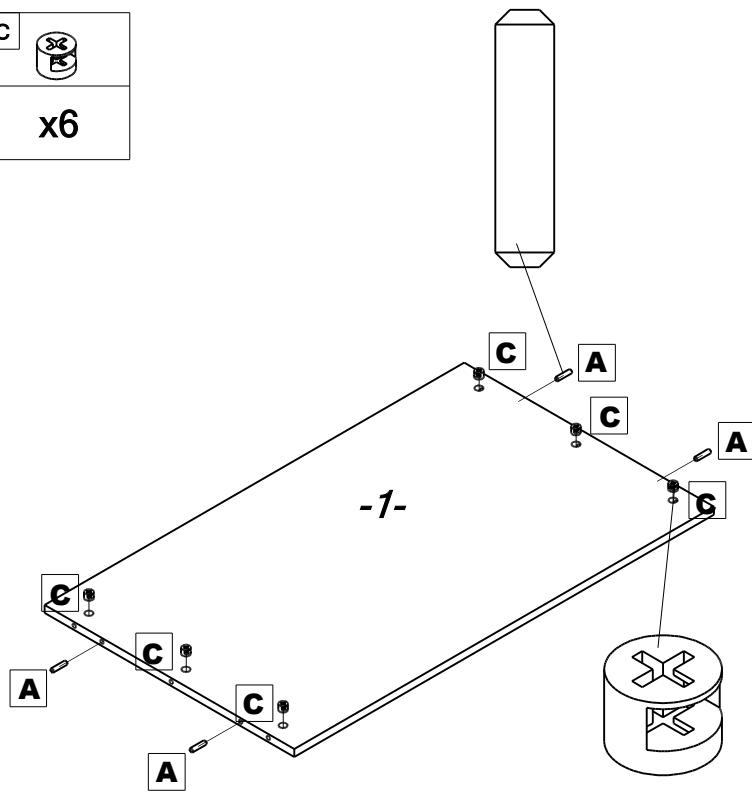
1	A 	C 
	x4	x6


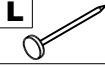

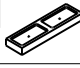





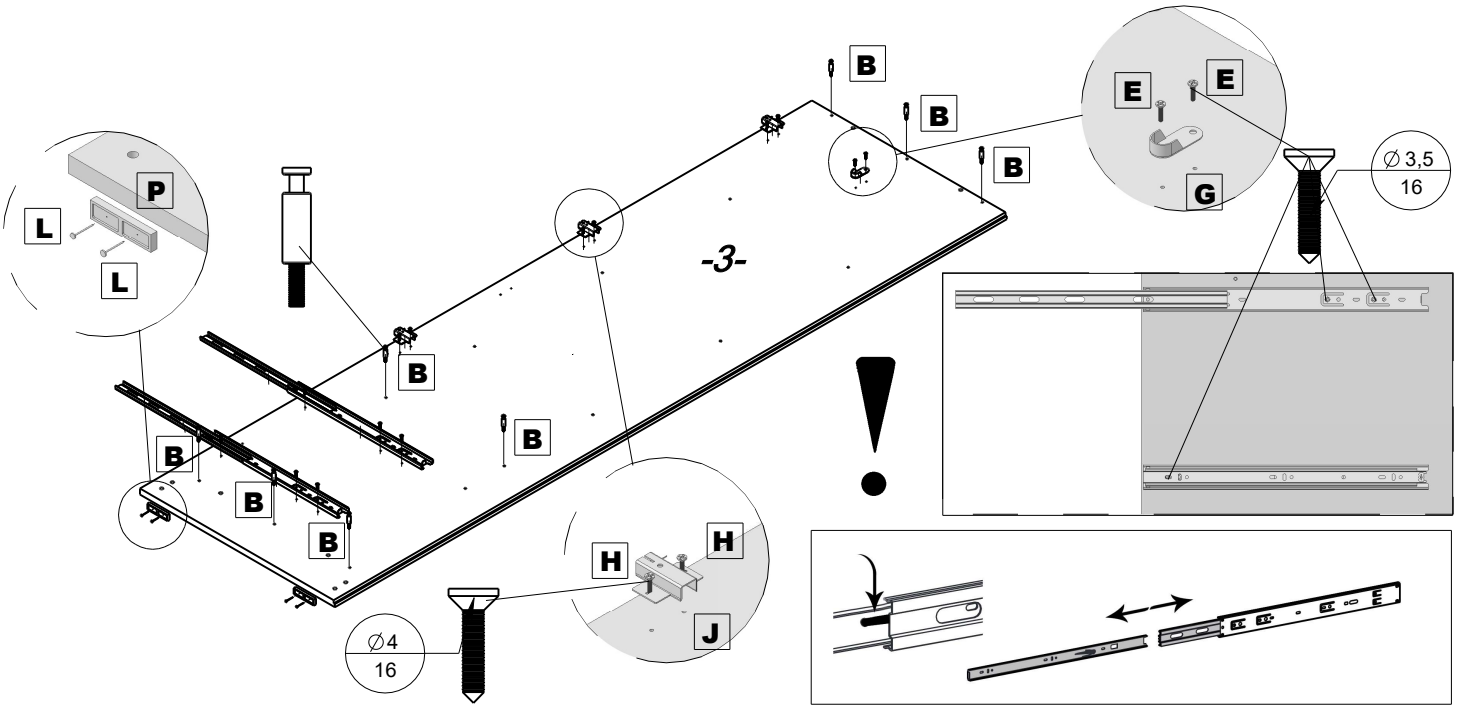
2	A 	P 	L 
	x12	x4	x8


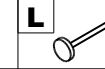







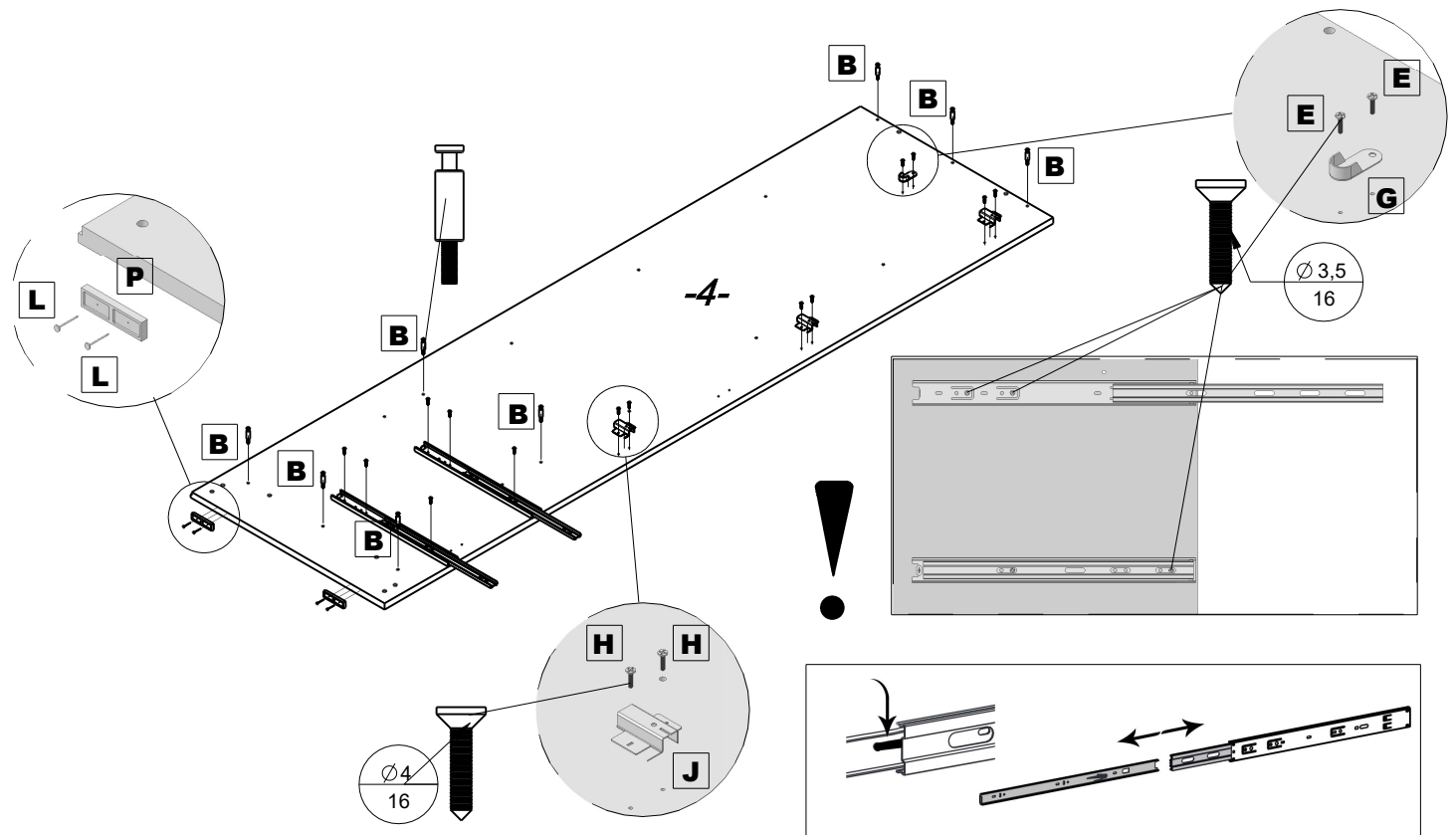
3	A 	C 
	x4	x6




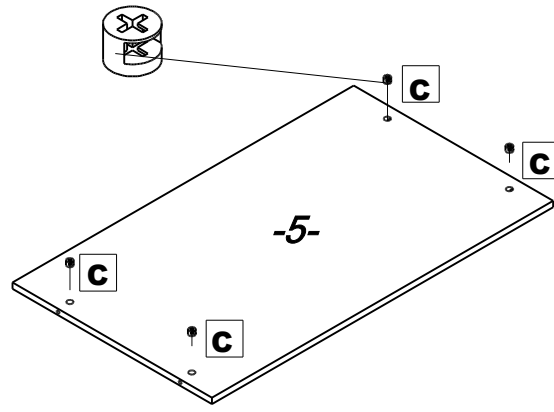
4	J 	L 	H 	P 	B 	G 	E 
	x3	x4	x6	x2	x8	x1	x6



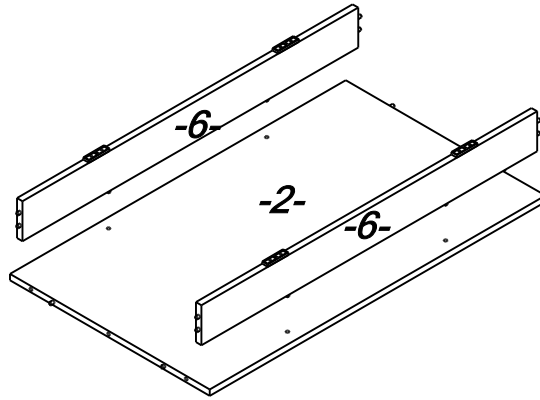
5	J 	L 	H 	P 	B 	G 	E 
	x3	x4	x6	x2	x8	x1	x6



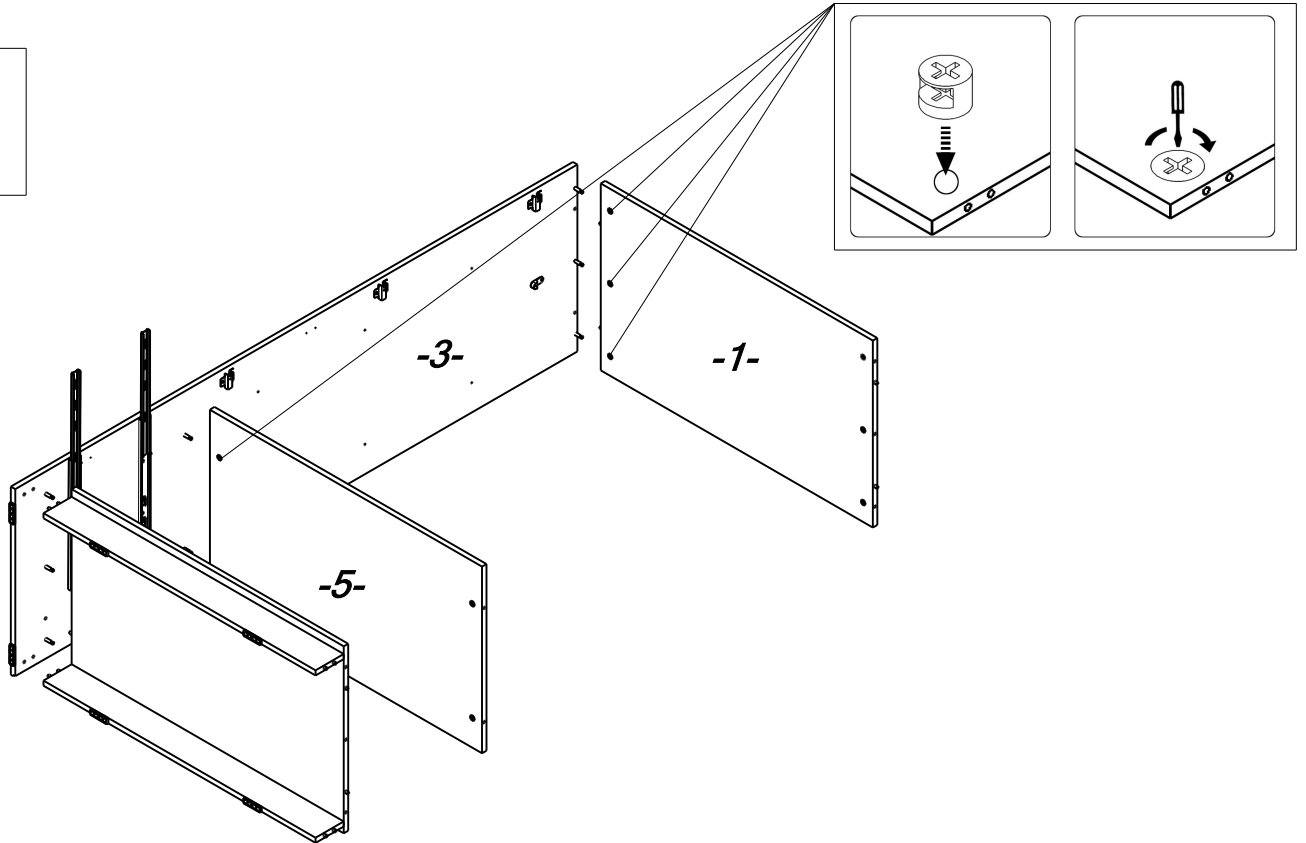
6	C	
		x4



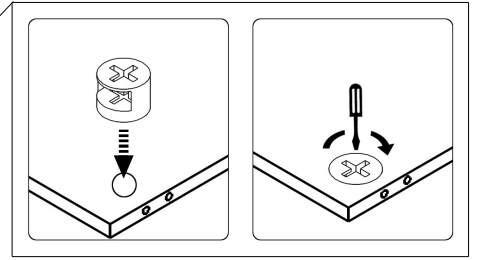
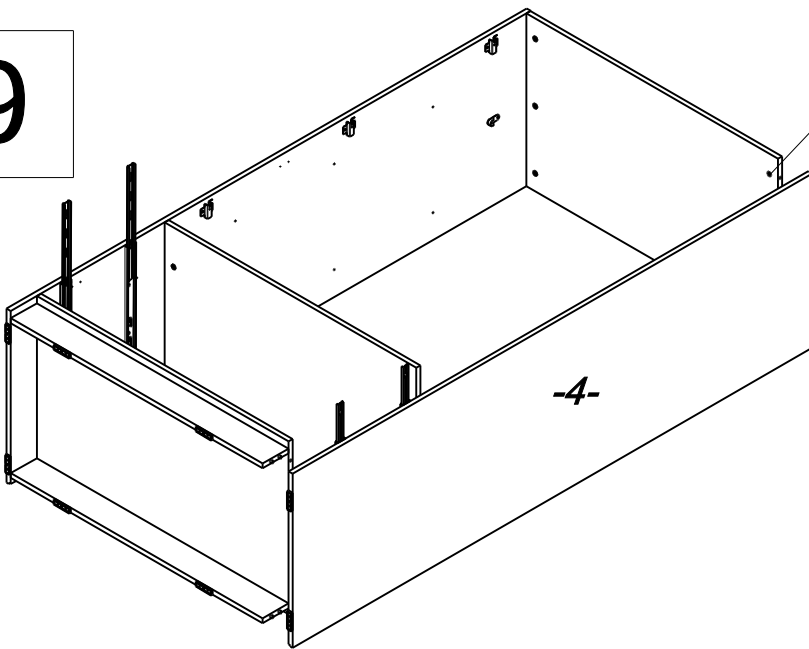
7



8

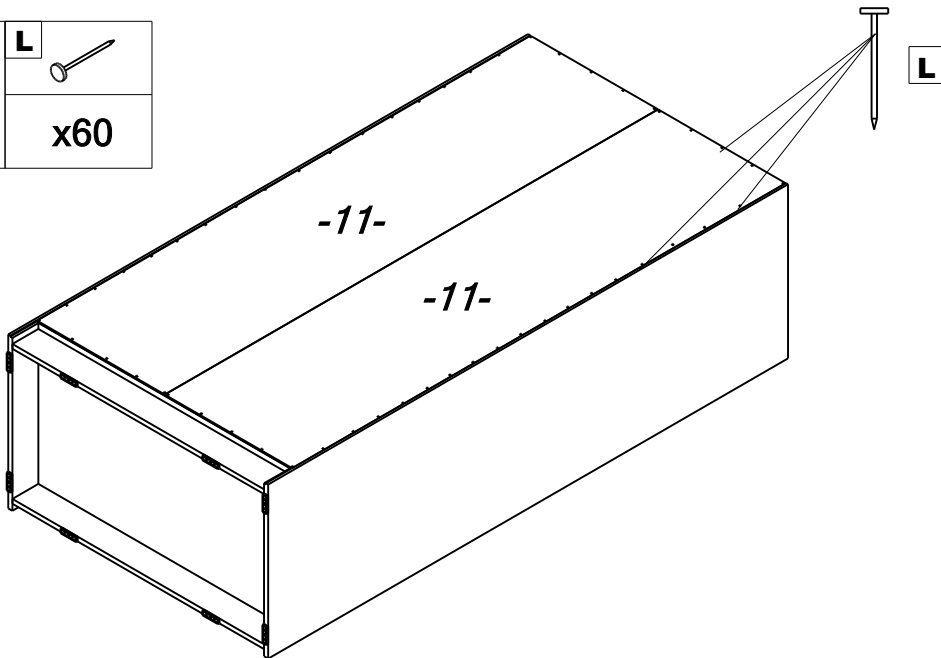


9



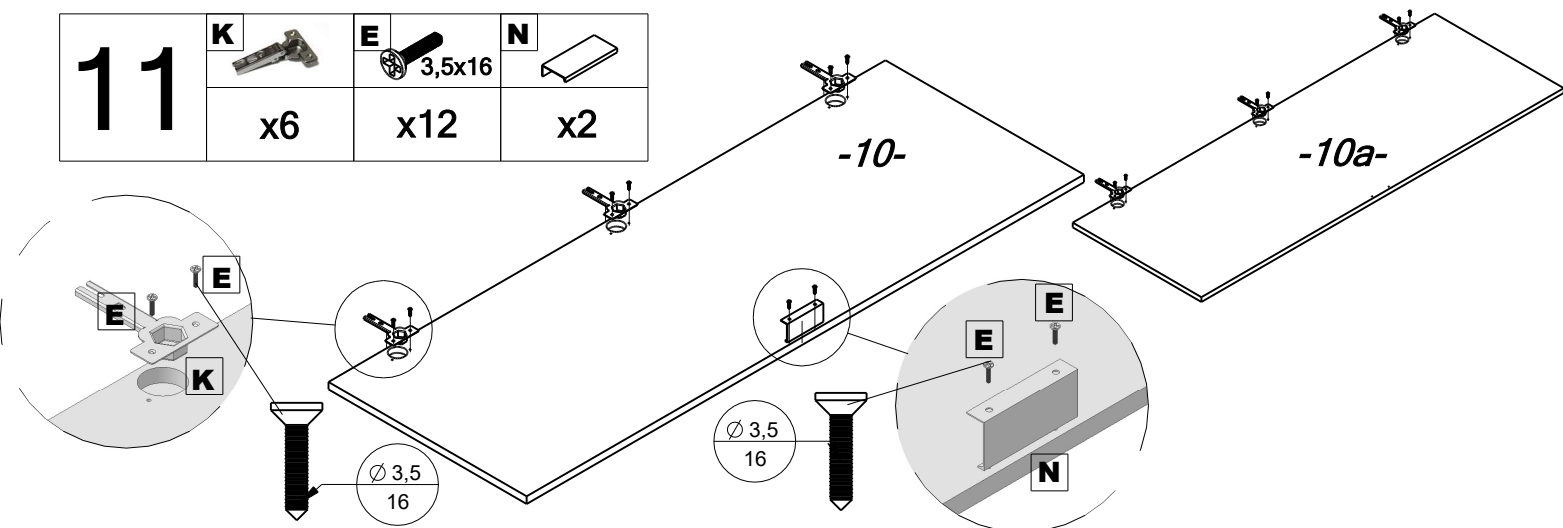
10

L	
x60	

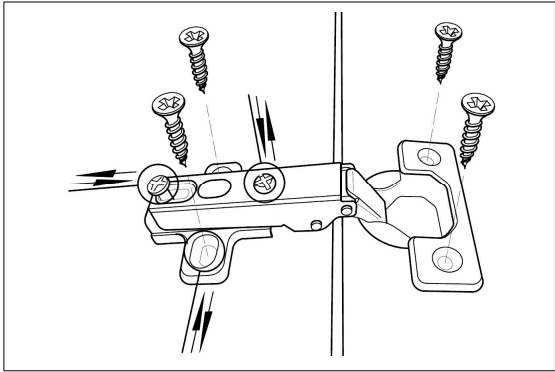
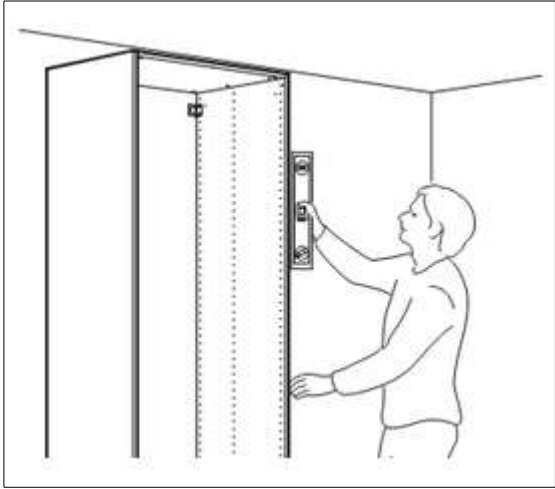
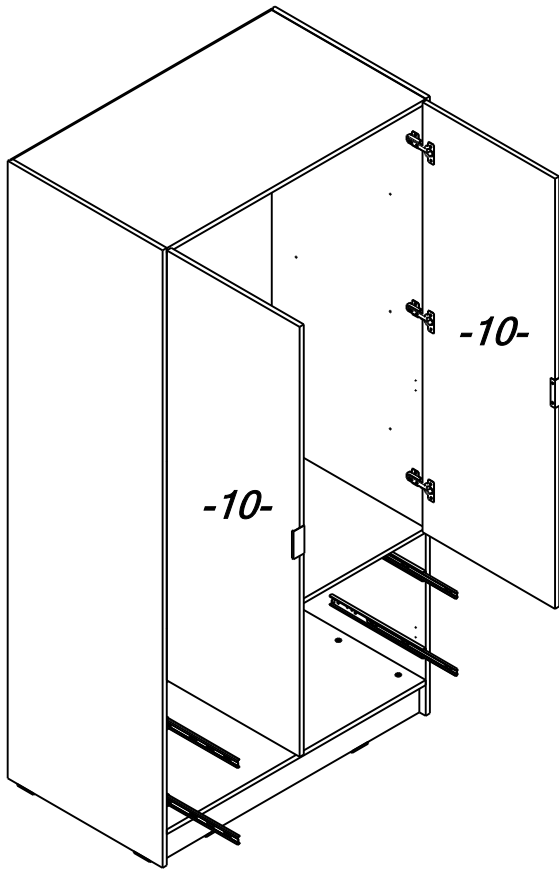


11

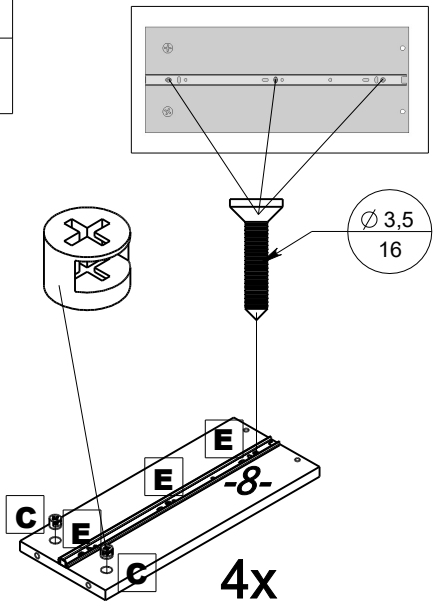
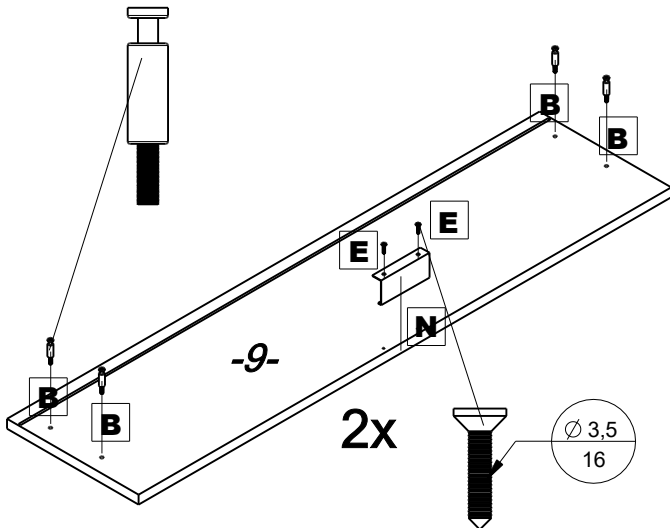
K		E		N	
x6		x12	3,5x16	x2	





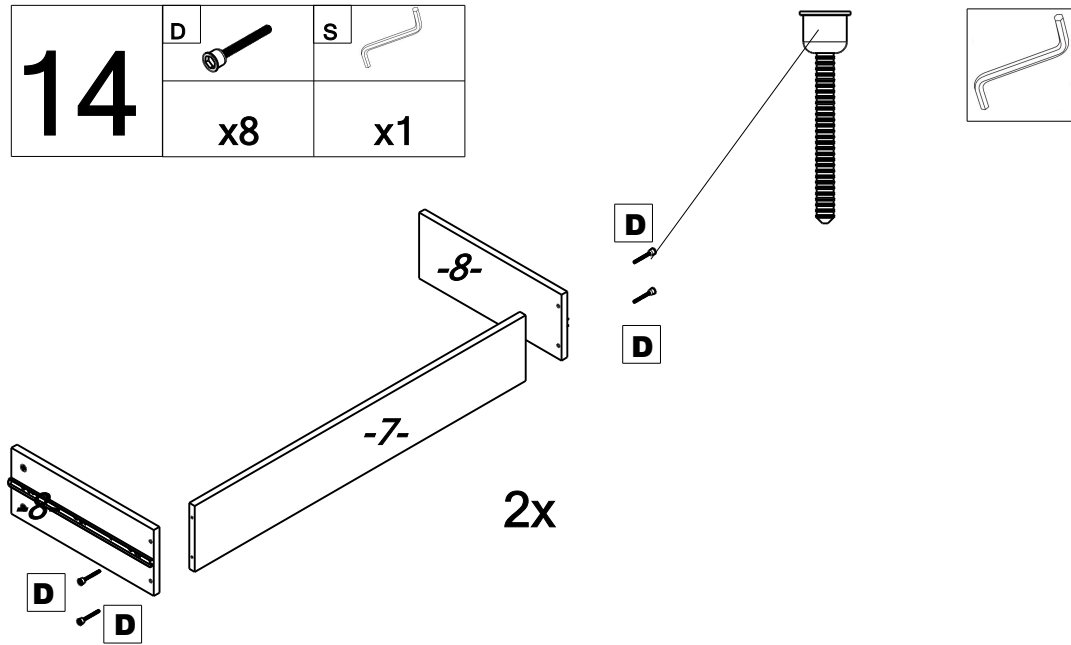
12



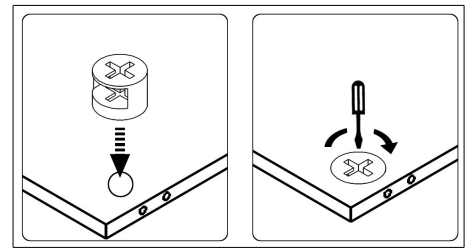
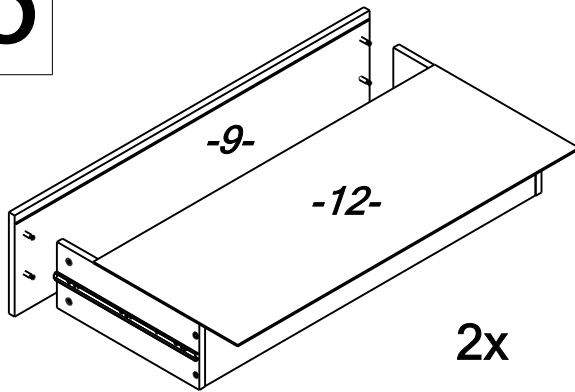
13	C		B		E		N	
		x8	x8	x16	3,5x16	x2		






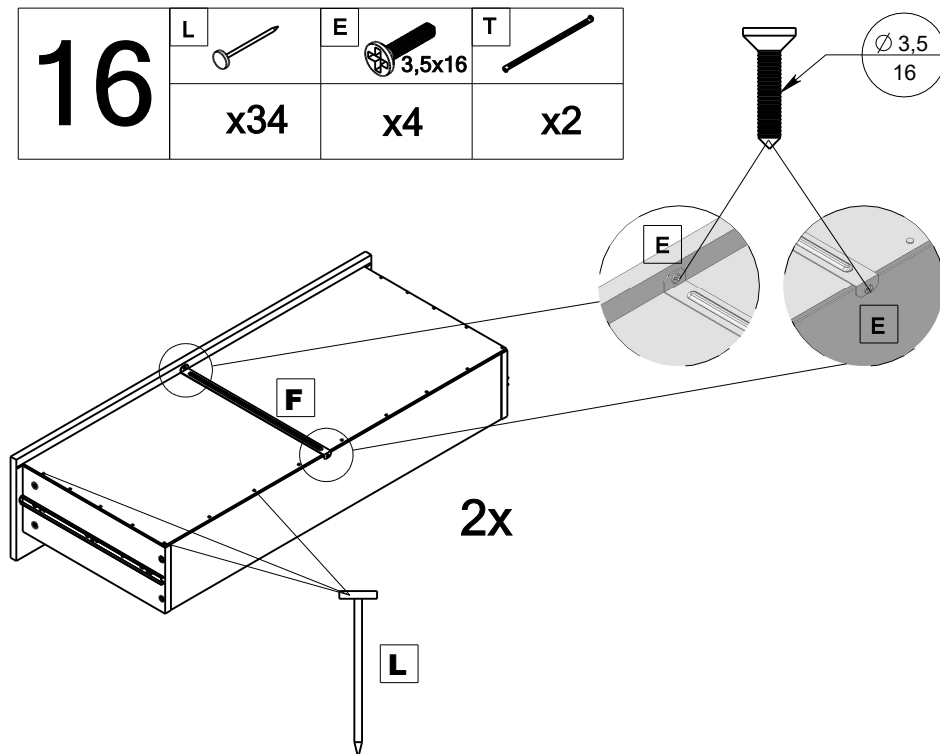
14	D 	S 
	x8	x1



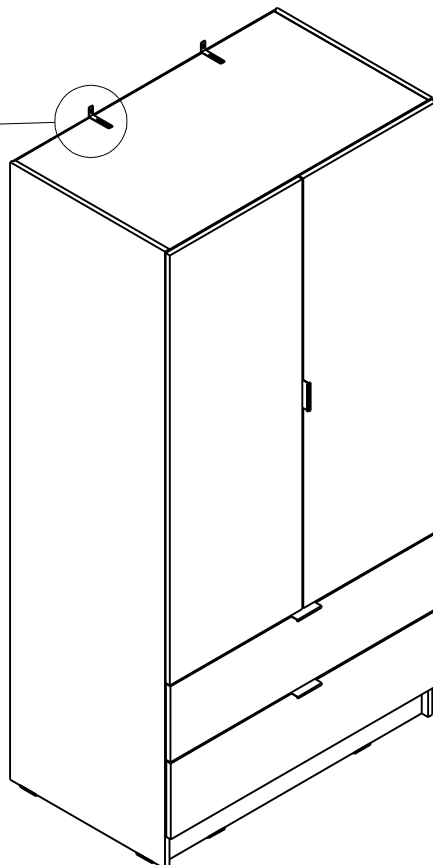
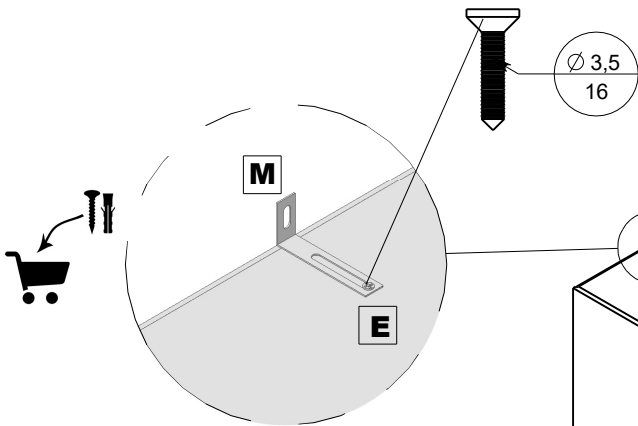
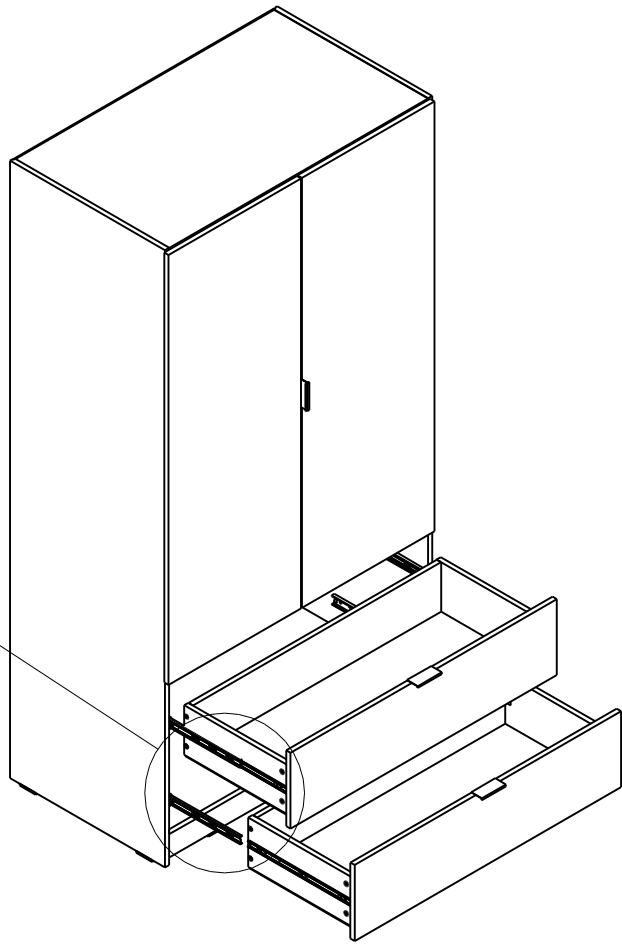
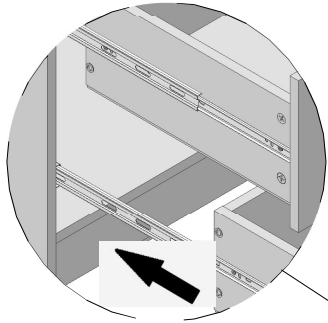
15





16	L 	E  3,5x16	T 
	x34	x4	x2



17



18	M		E	
		x2		3,5x16