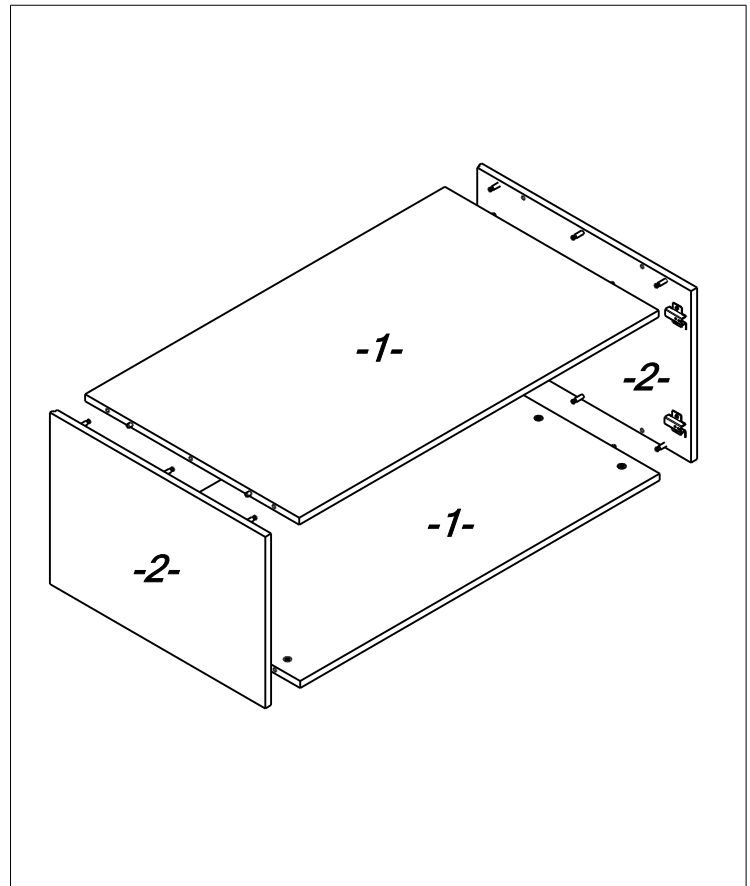
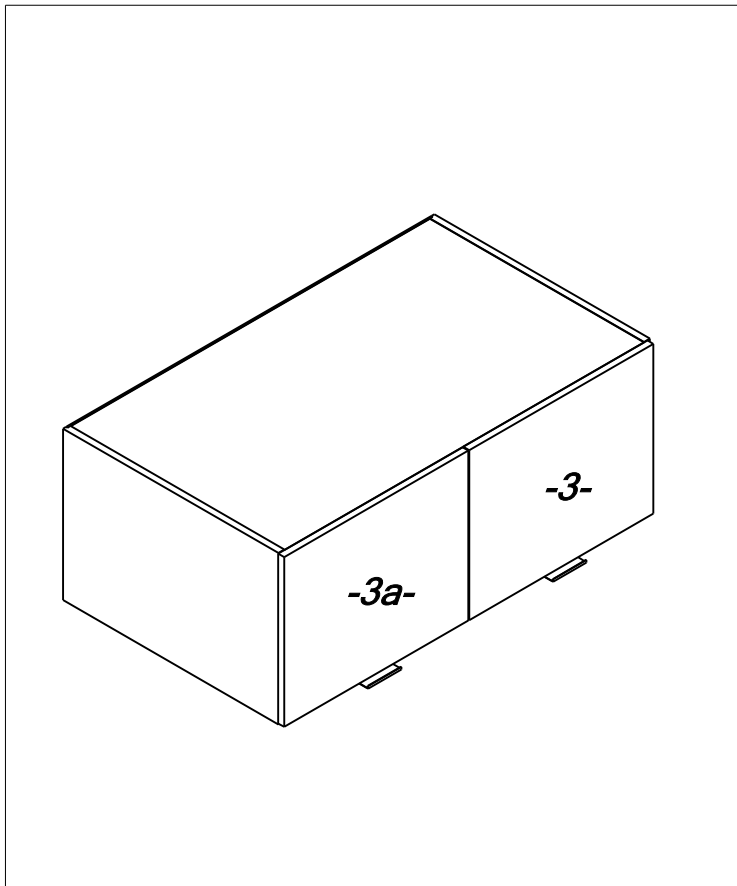
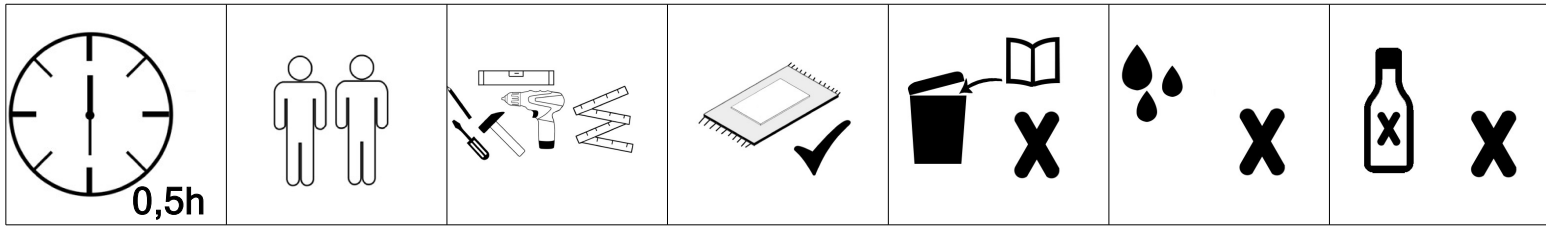
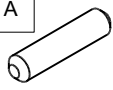
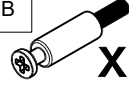

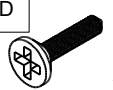
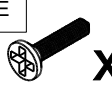
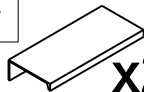


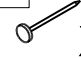

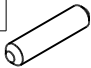



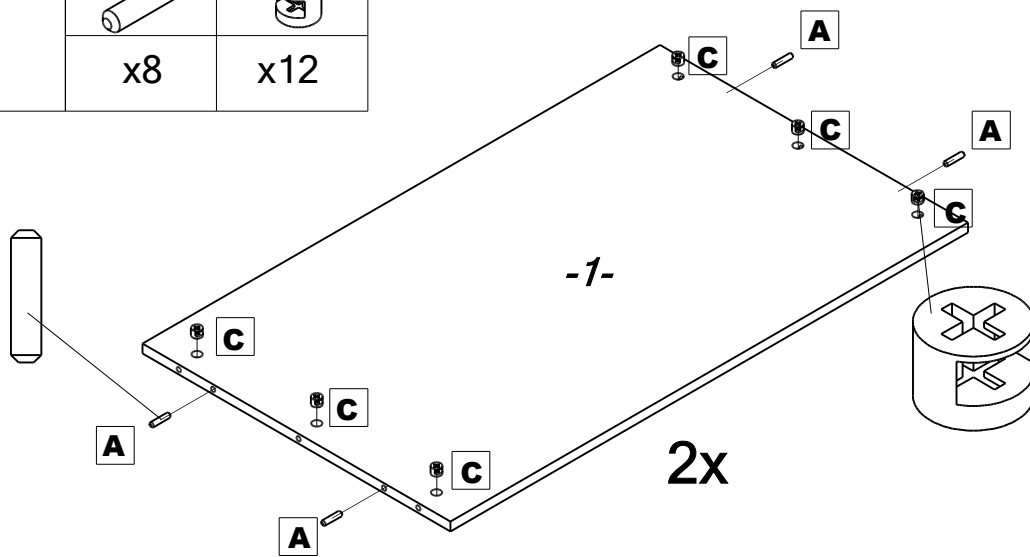
MAXI NADSTAWKA 100

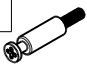




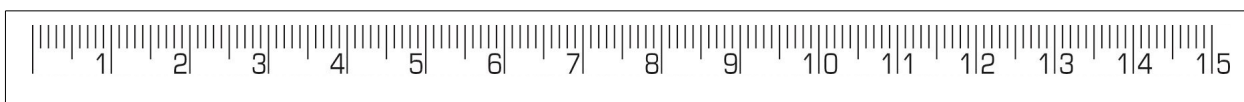
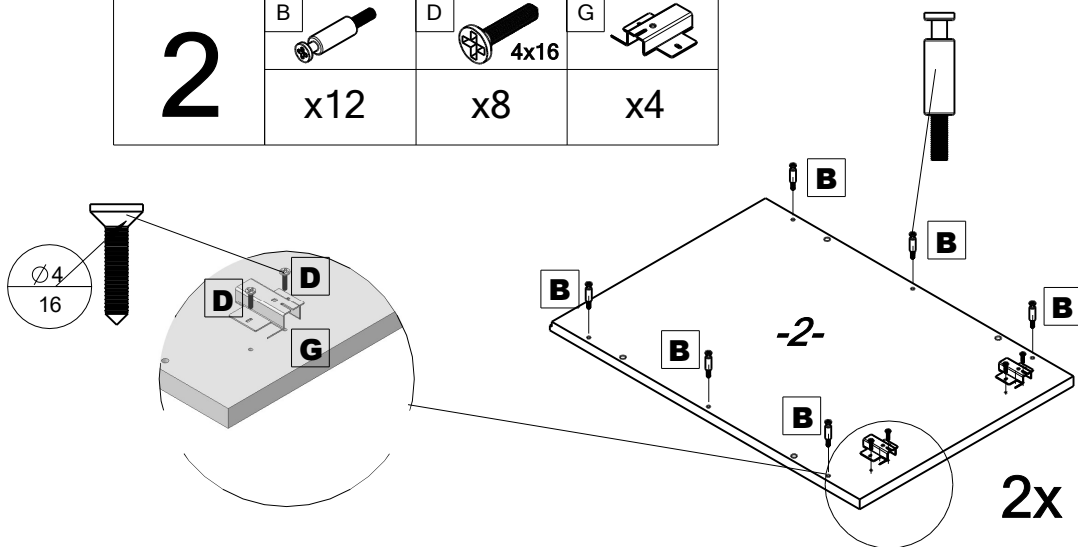
A	 35mm x8	B	 x12	C	 x12	D	 4x16 x8	E	 3,5x16 x12
F	 x2	G	 x4	H	 x4	J	 x26	K	 x4


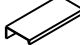

	WYMIARY ELEM.		WYMIARY ELEM.
-1-	2x 968x576	-3-	2x 396x496
-2-	2x 400x580	-4-	398x982

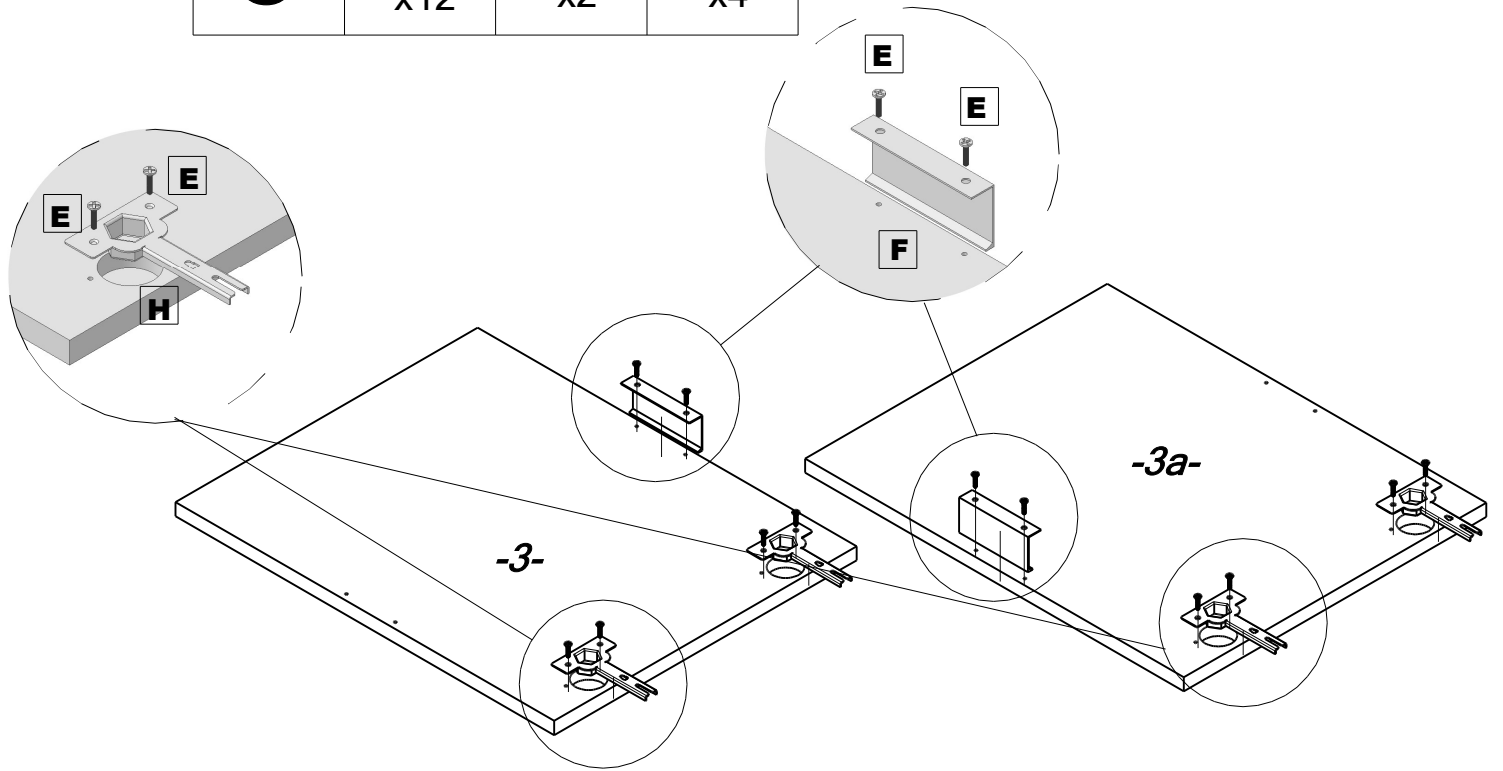
1	A 	C 
	x8	x12



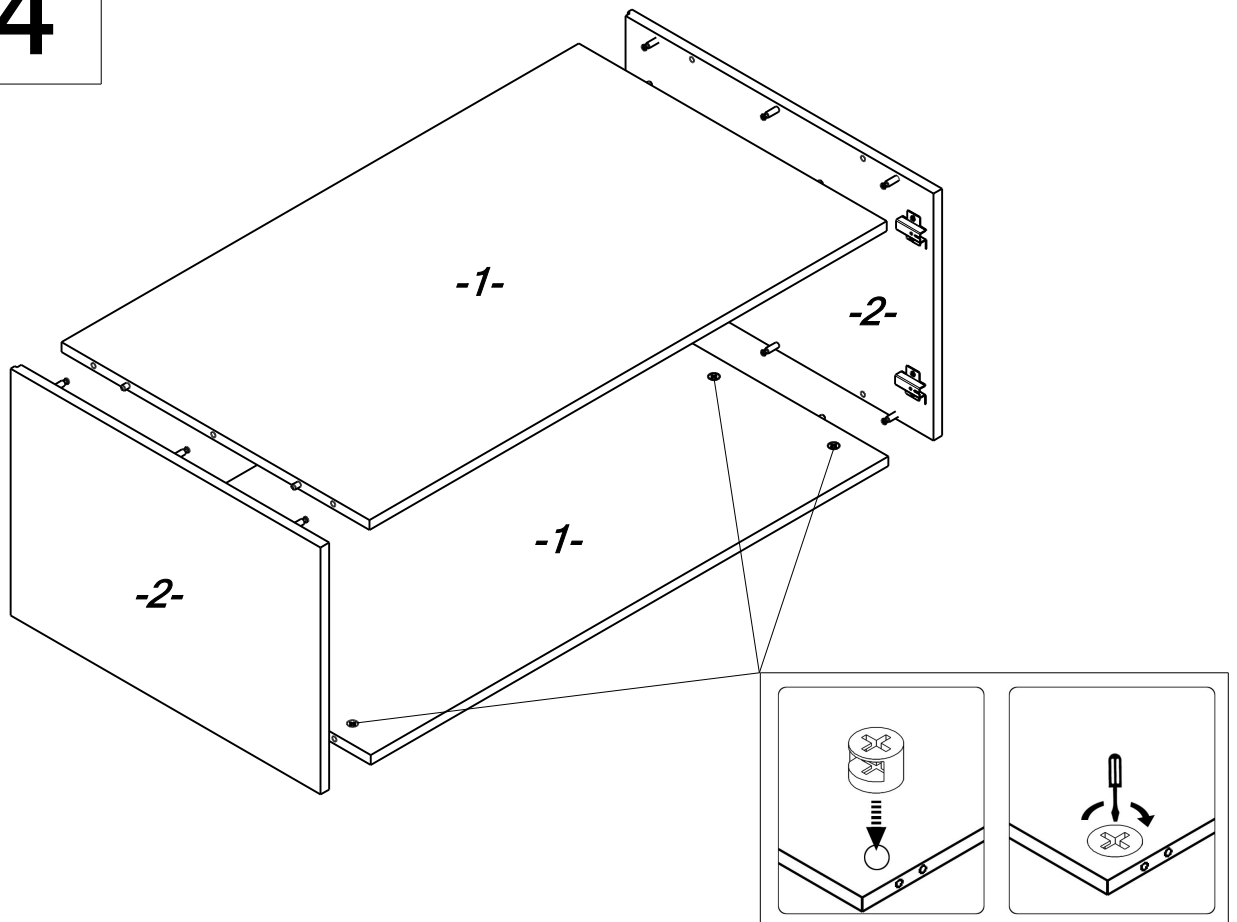
2	B 	D  4x16	G 
	x12	x8	x4



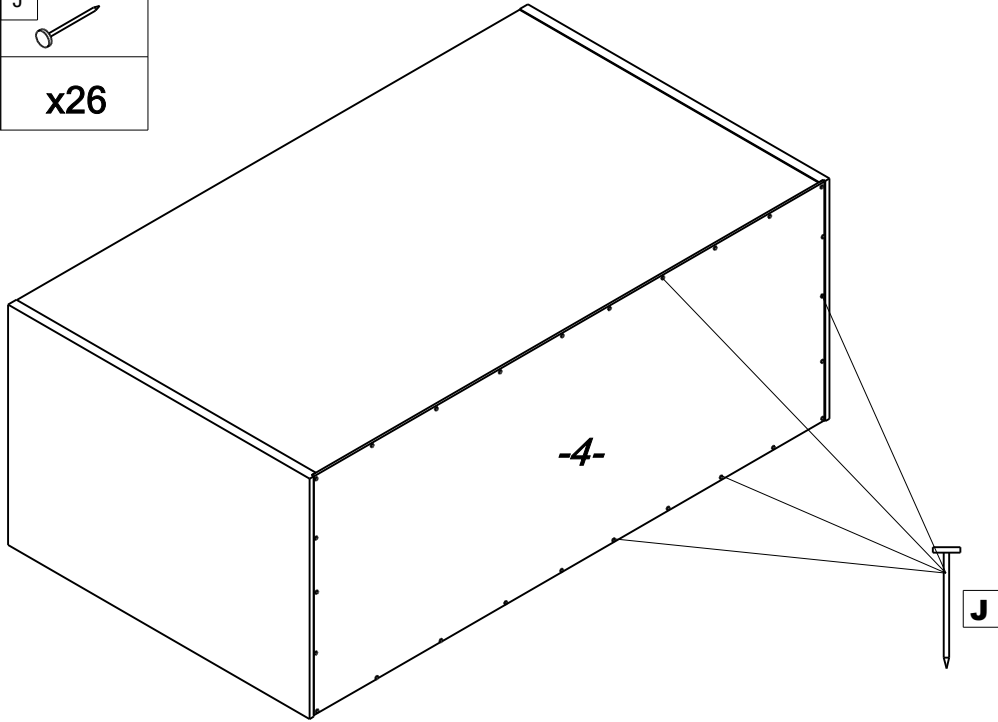
3	E  3,5x16	F 	H 
	x12	x2	x4



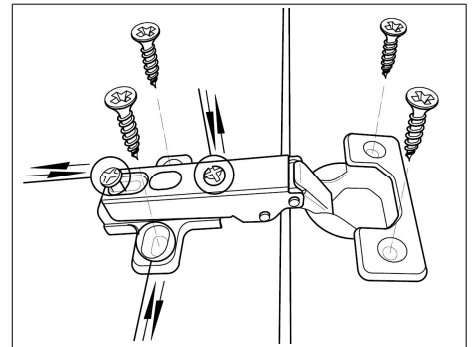
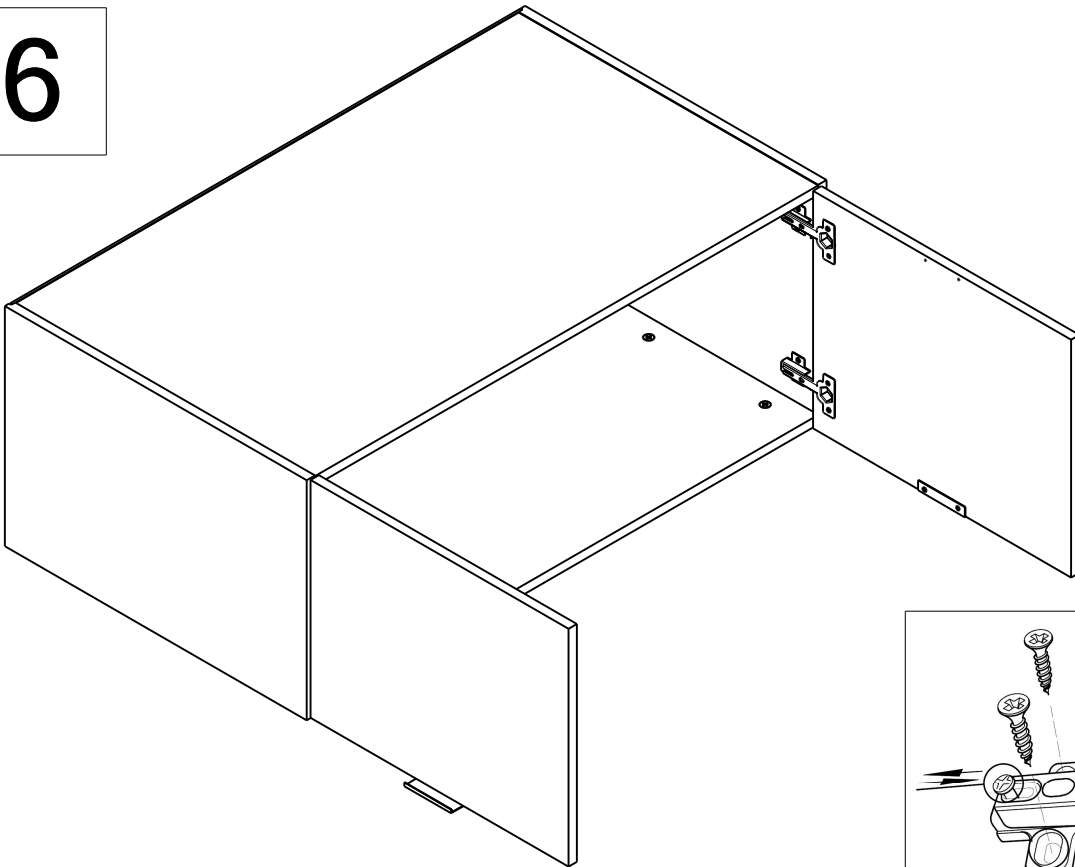
4



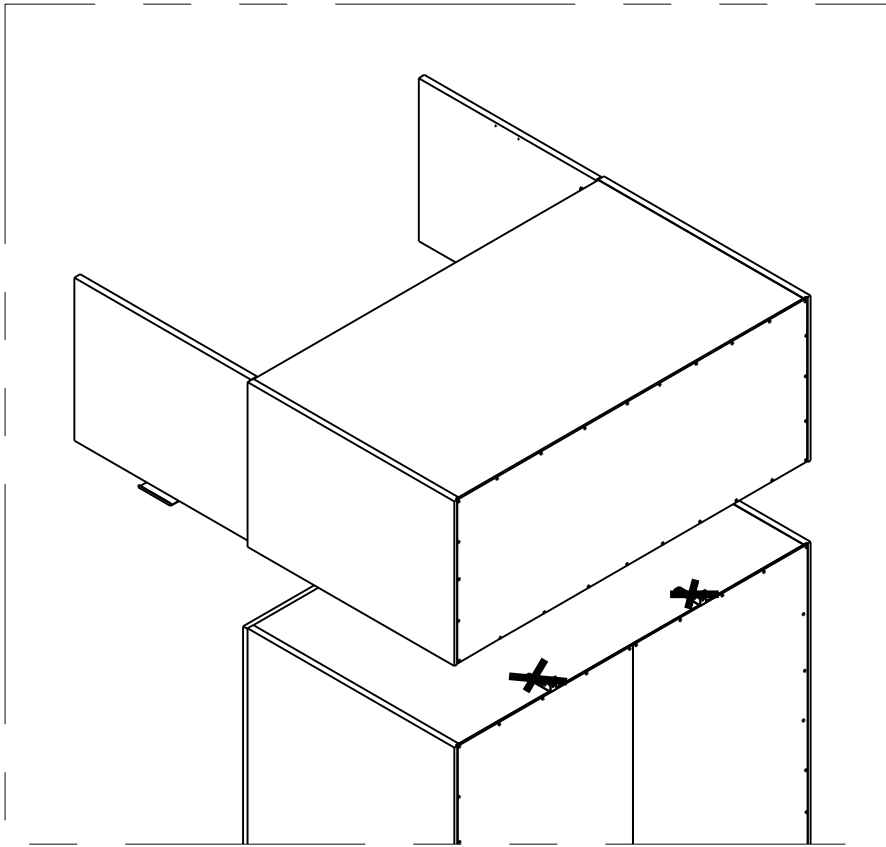
5	J
	x26

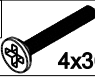


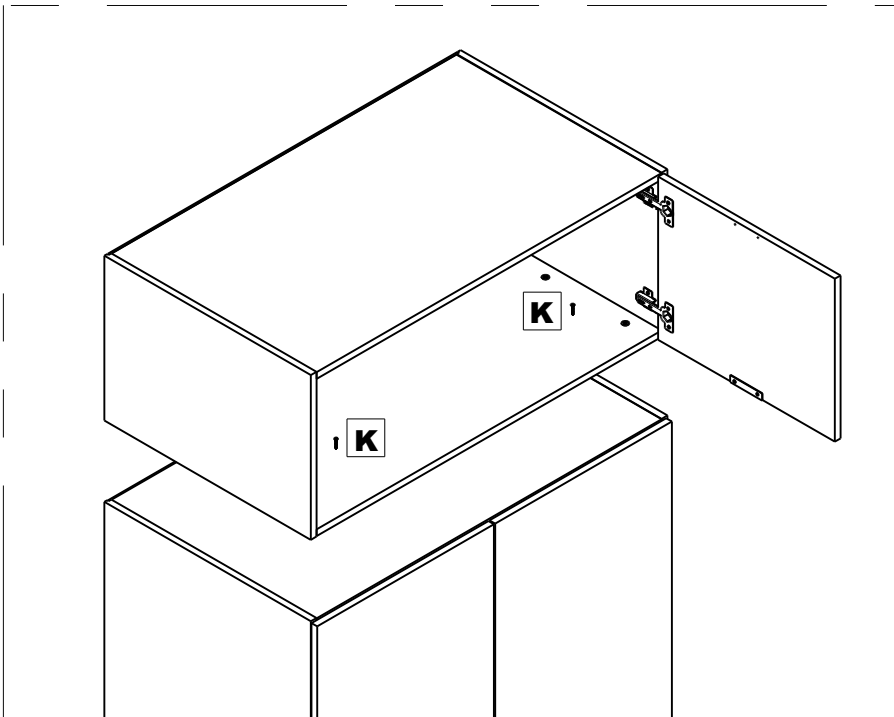
6



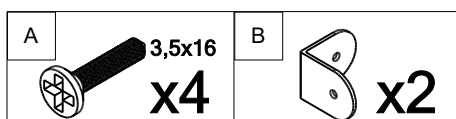
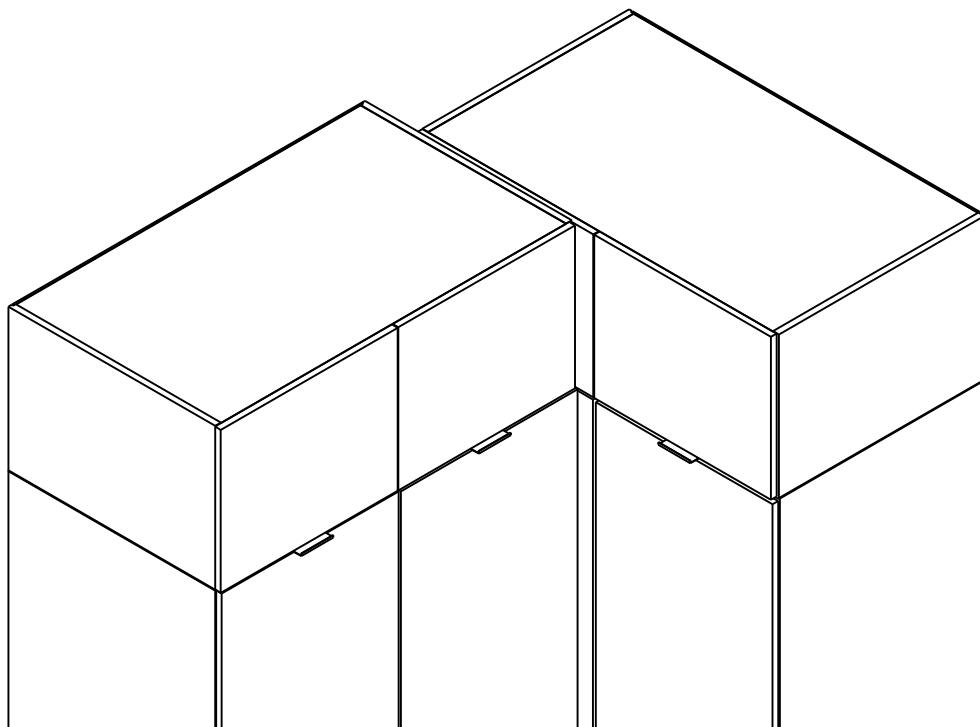
7



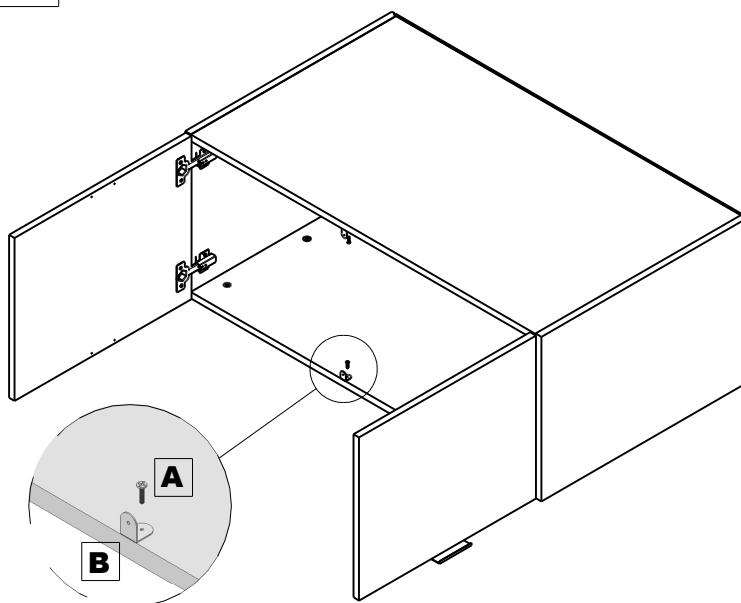
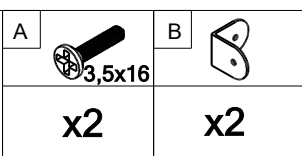
8	K	
		4x30
	x4	

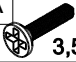


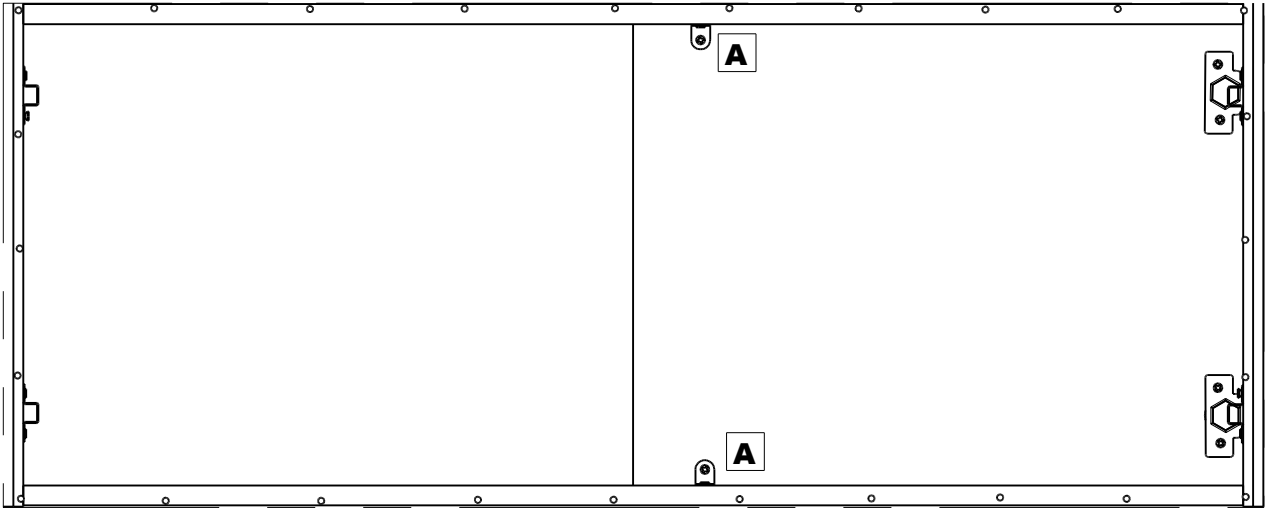
9



10



11	A		3,5x16
	x2		



12

