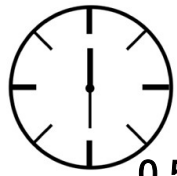
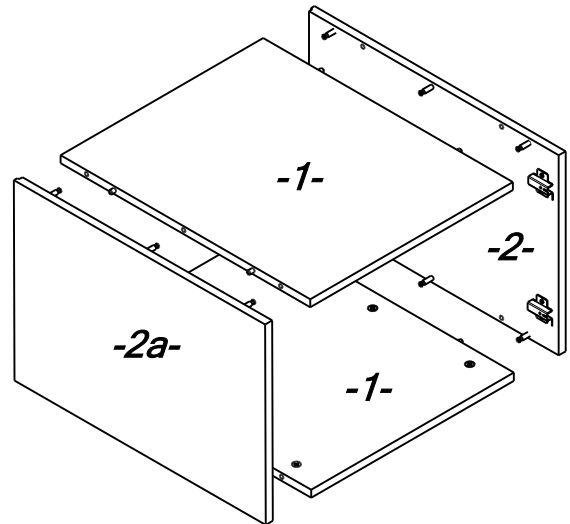
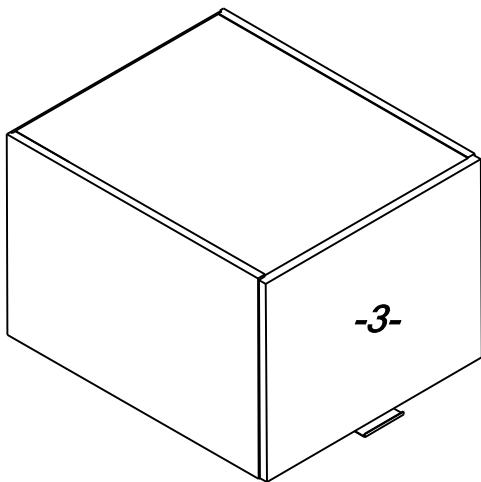
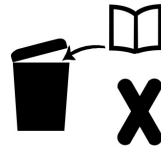
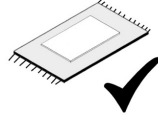
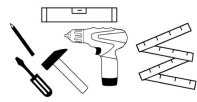
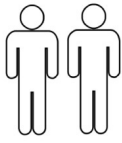
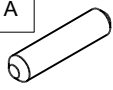
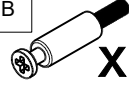


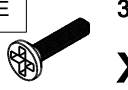
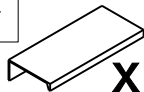






MAXI NADSTAWKA 50

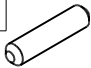



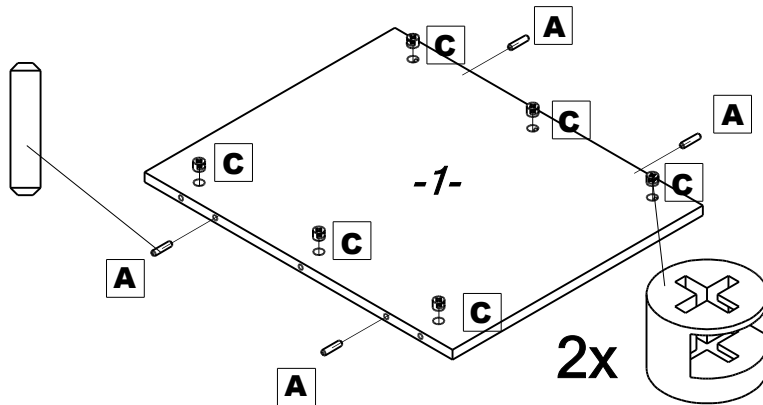
0,5h

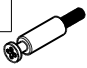




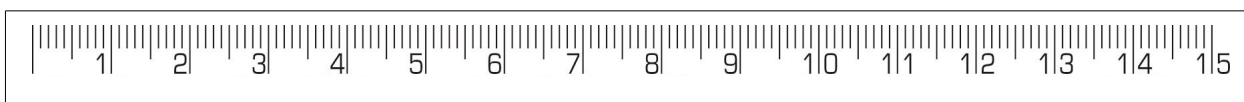
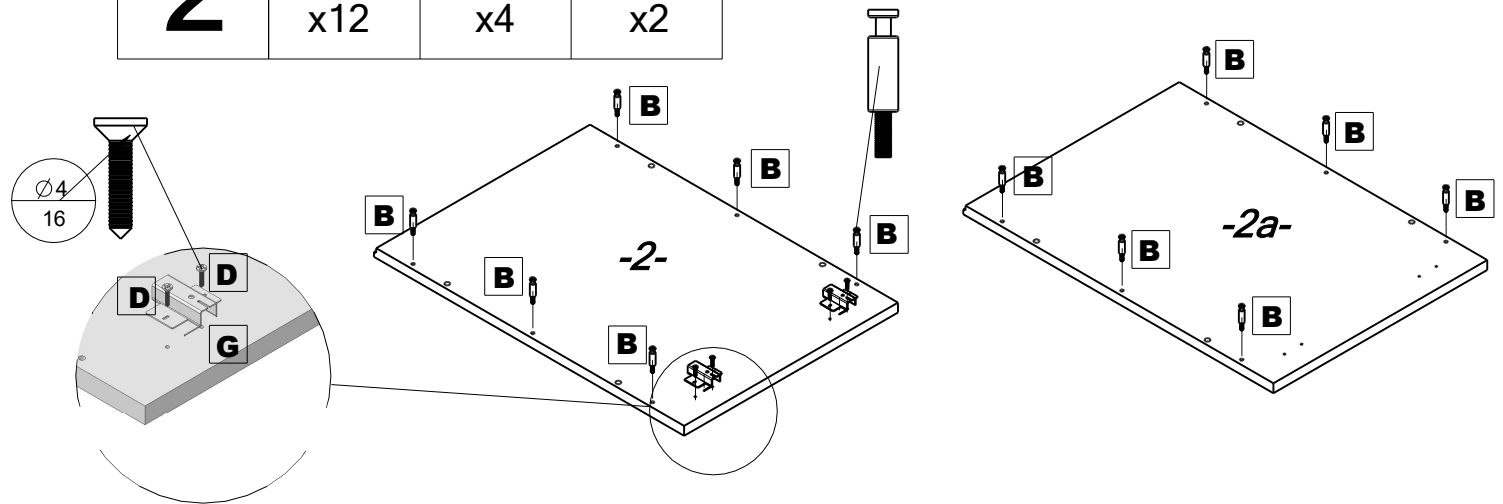
A	 35mm x8	B	 x12	C	 x12	D	 4x16 x4	E	 3,5x16 x6
F	 x1	G	 x2	H	 x2	J	 x16	K	 4x30 x4


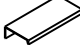

	WYMIARY ELEM.		WYMIARY ELEM.
-1-	2x 468x576	-3-	396x496
-2-	2x 400x580	-4-	398x482

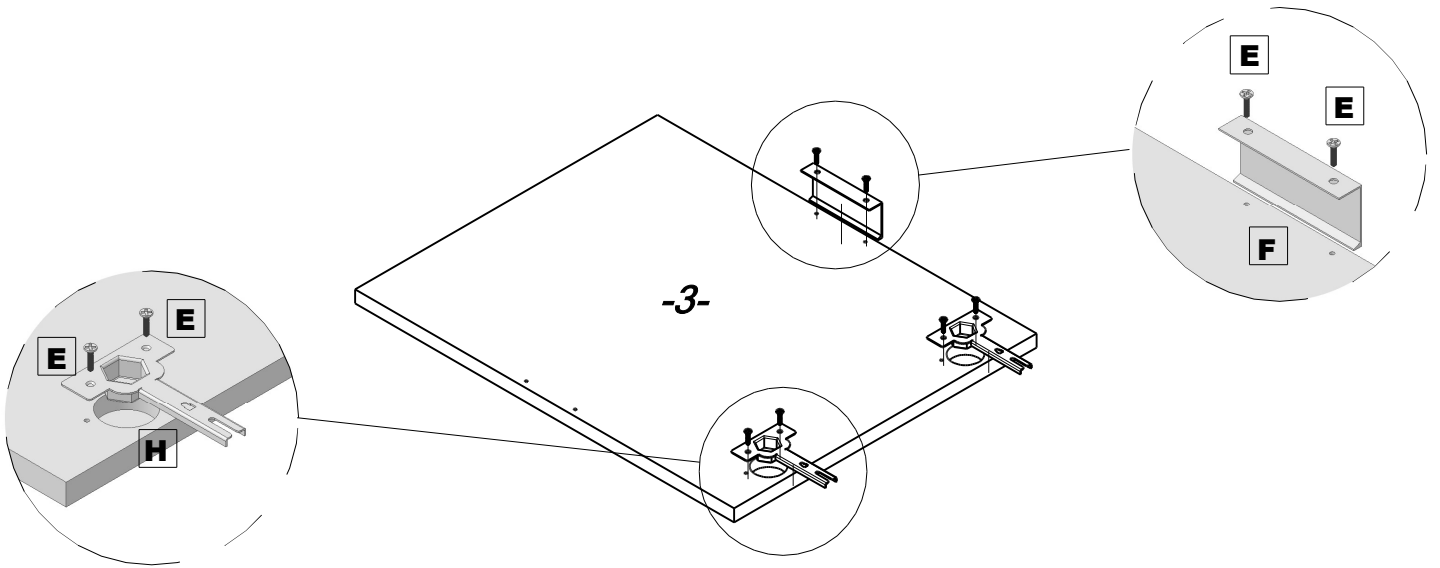
1	A 	C 
	x8	x12



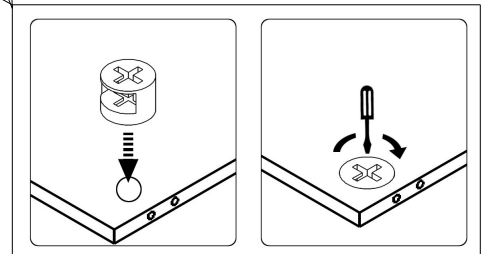
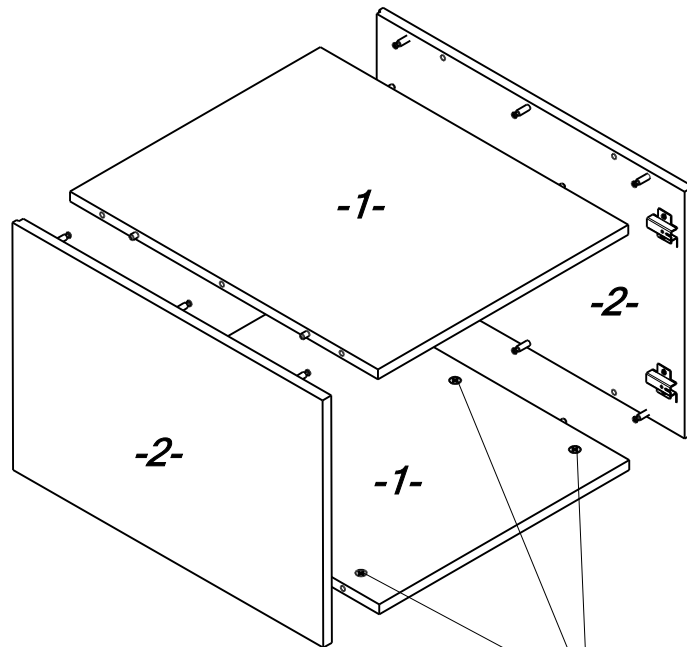
2	B 	D  4x16	G 
	x12	x4	x2



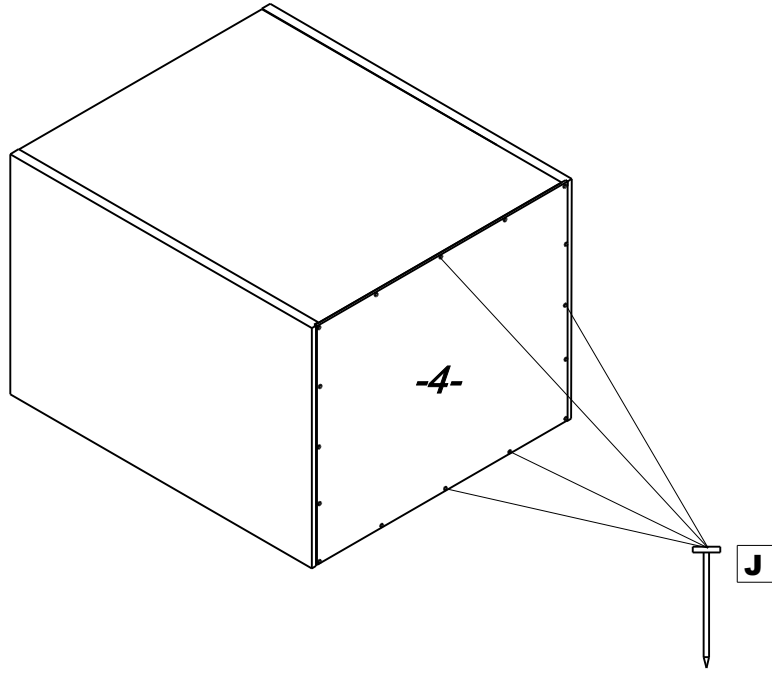
3	E  3,5x16	F 	H 
	x6	x1	x2



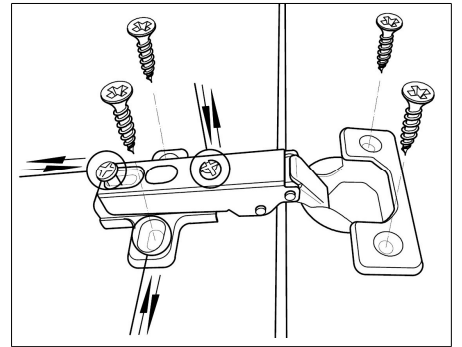
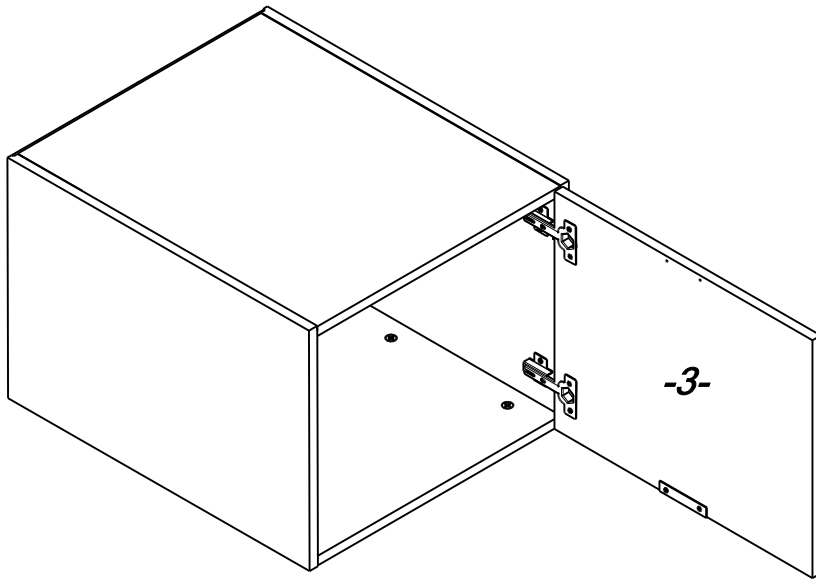
4



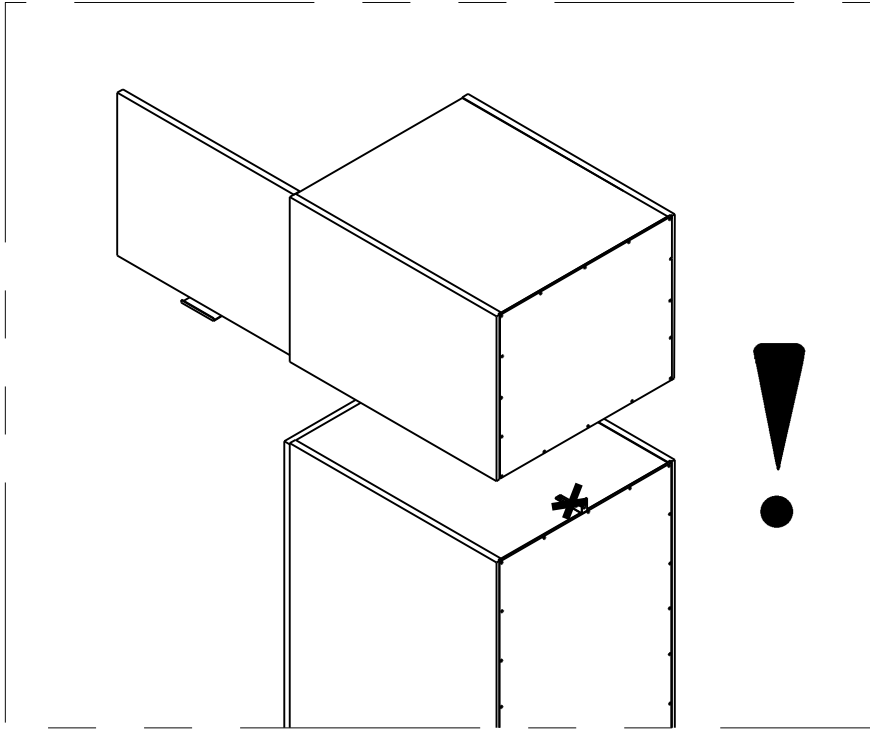
5	J
	x16




6



7



8	K	
		4x30
	x4	

