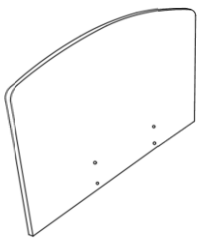
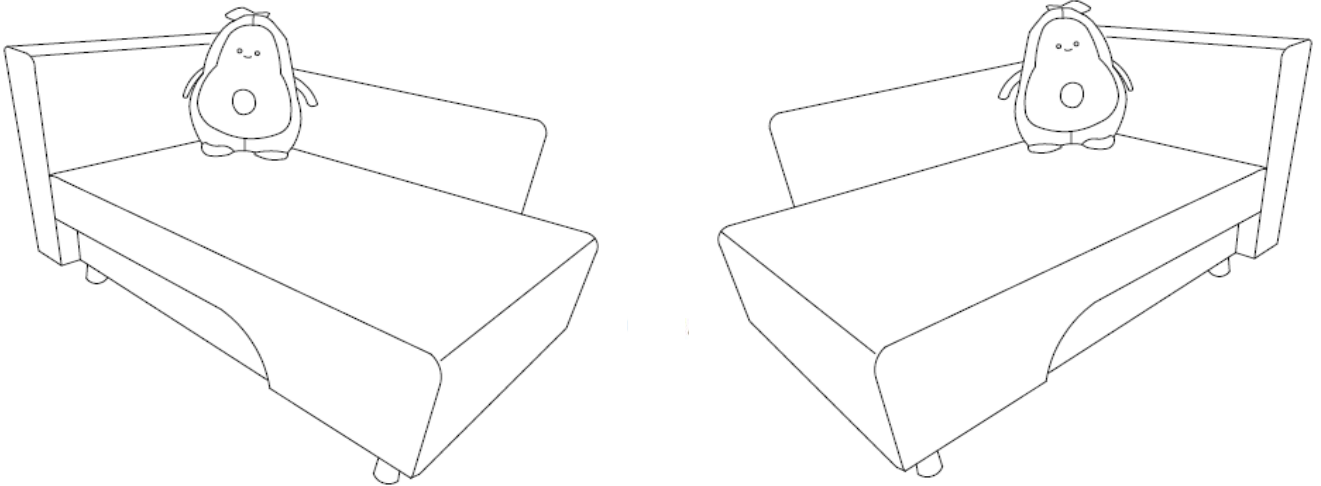
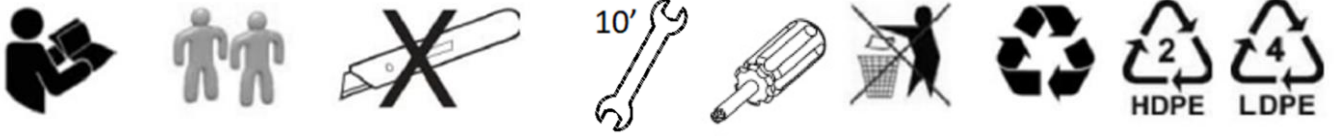
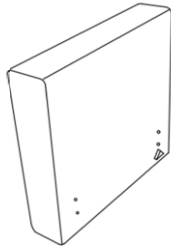


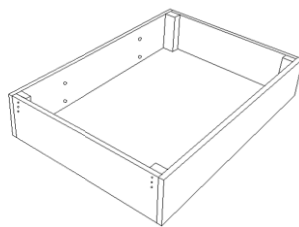
MODEL: AVO tapczan ED1



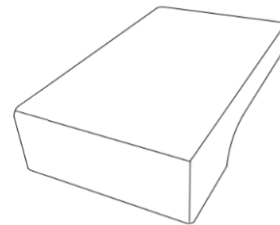
1 x A



1 x B



1 x C



1 x D



1 x E



a- 4x35
X14



b-M6x25
X4



c-M6x100
X4



d-x2



e-x4



f-x4



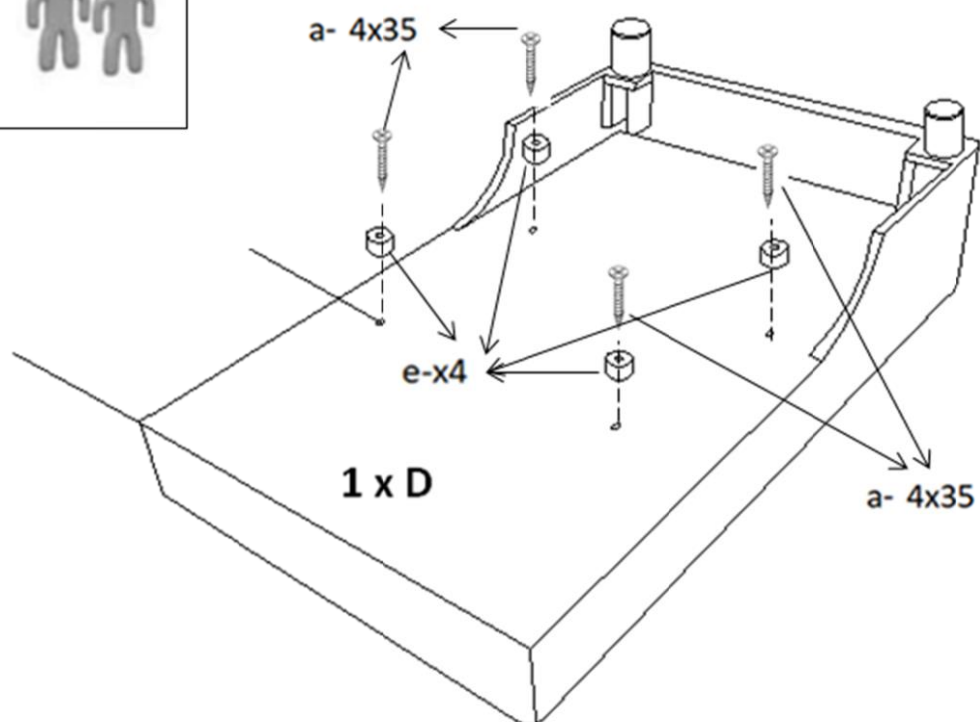
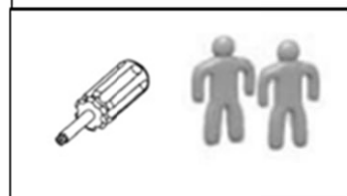
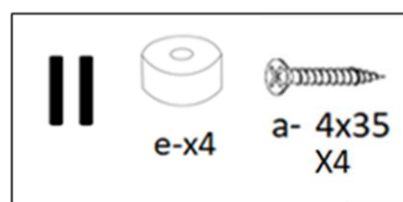
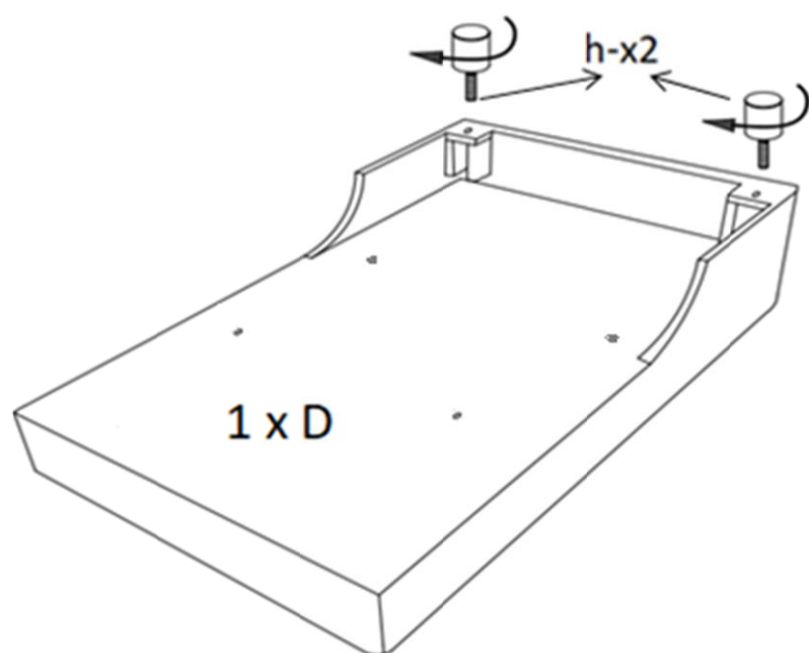
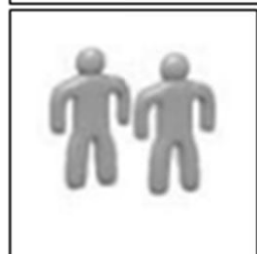
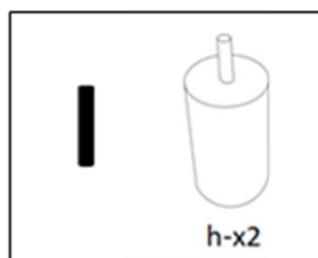
g-x2

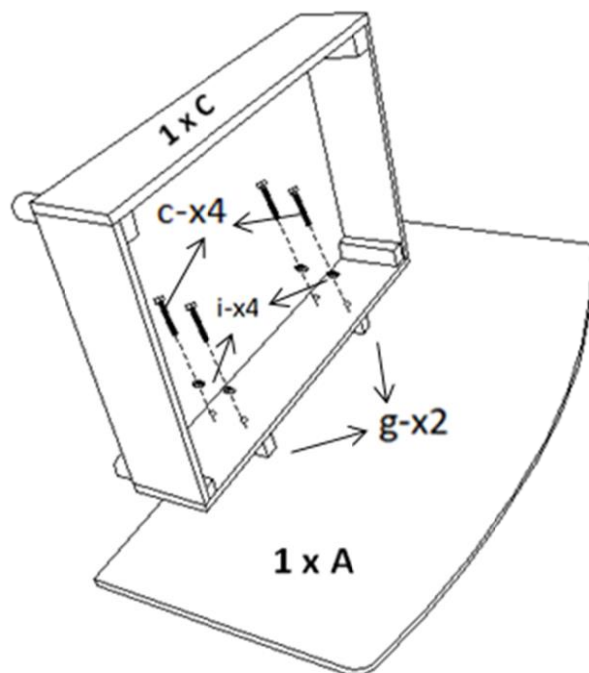
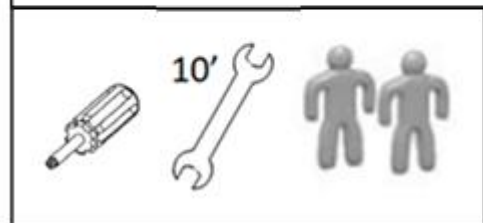
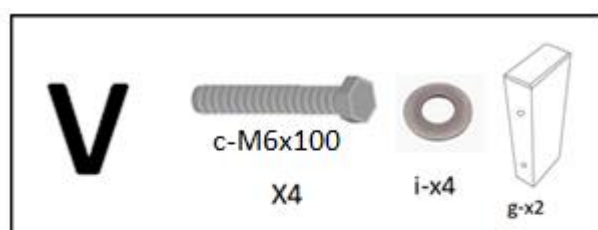
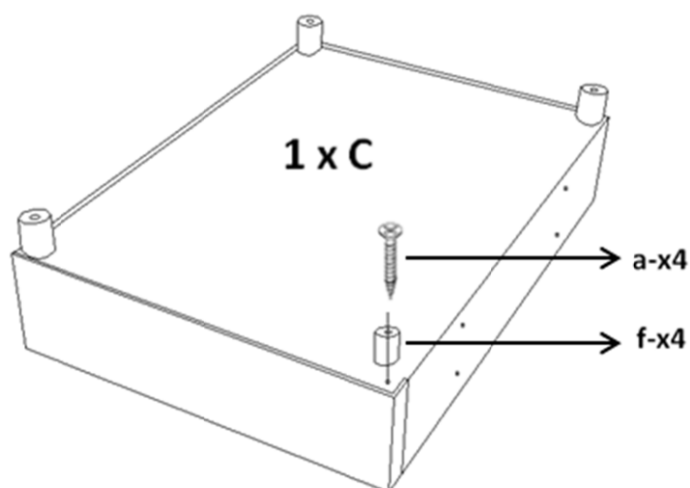
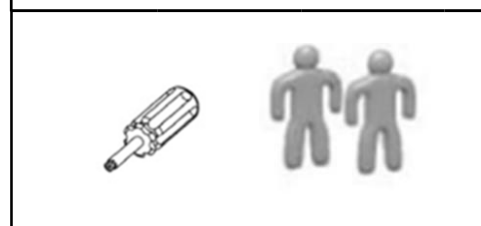
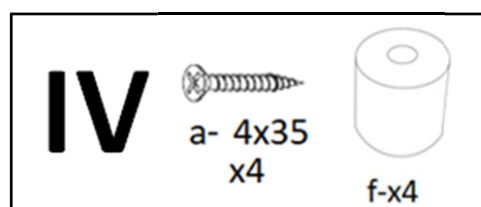
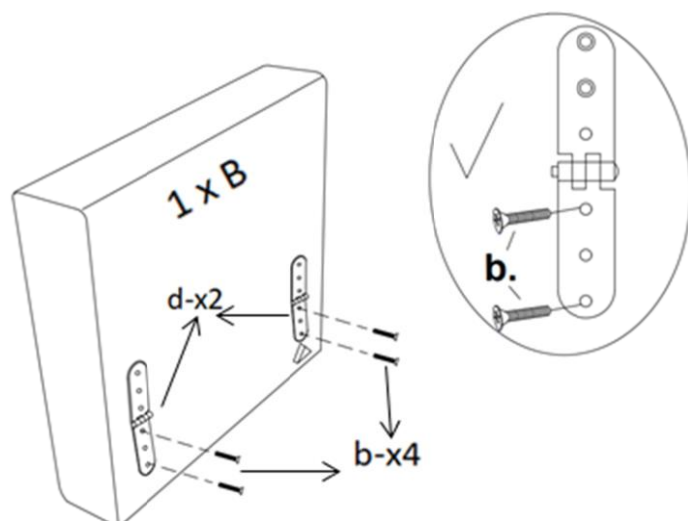
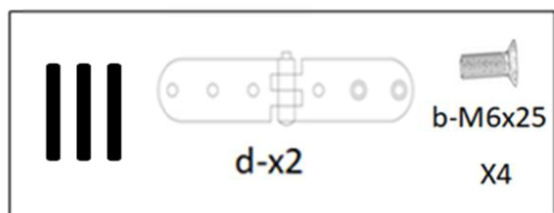





h-x2



i-x4





<p>VI</p>  <p>a- 4x35 x6</p>	 
--	--

