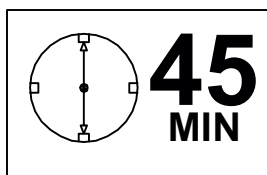
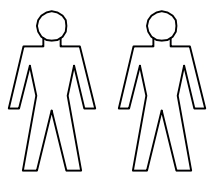
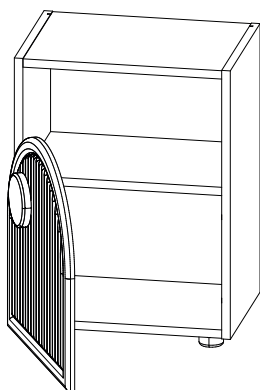


Ping Regał niski 1d

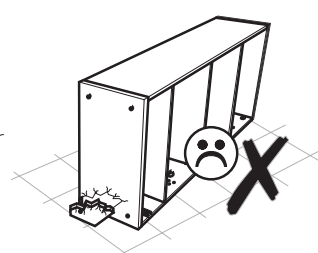
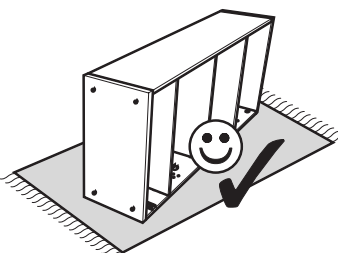
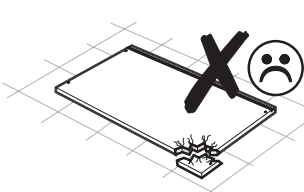
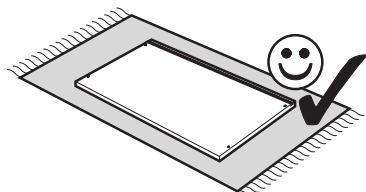
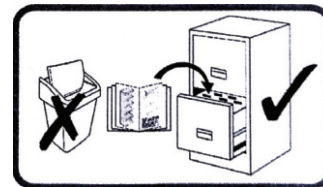
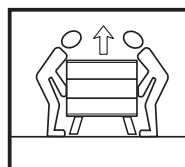
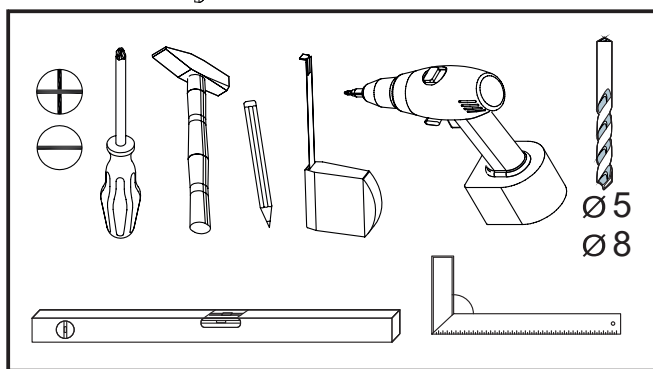
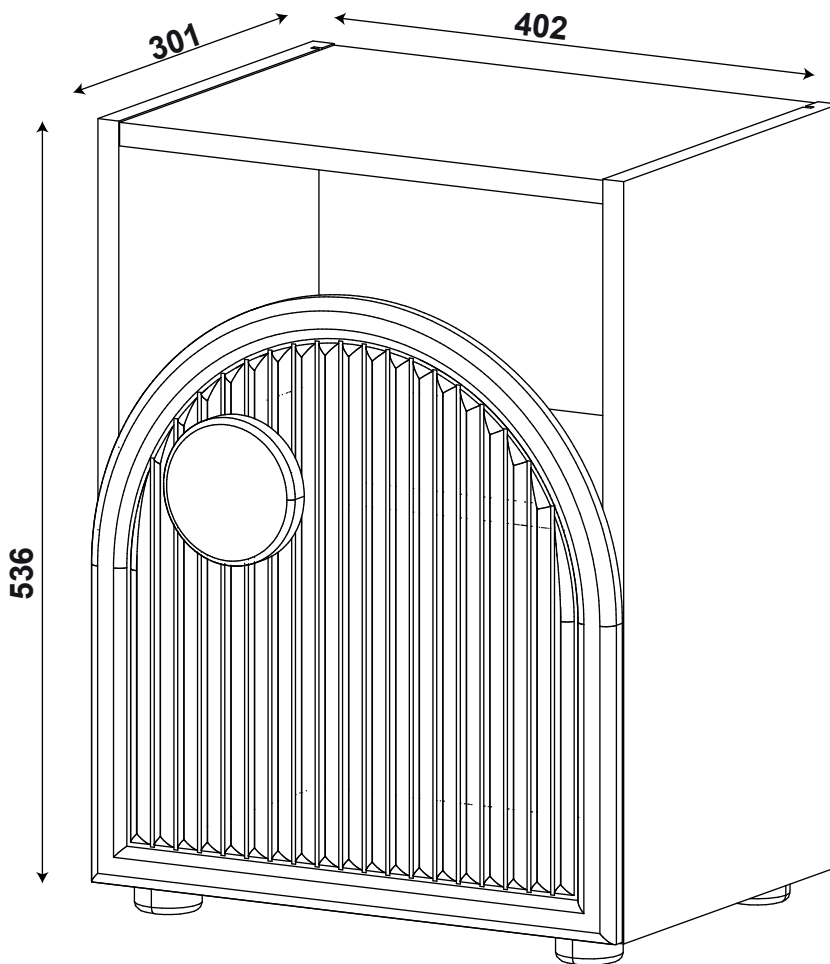
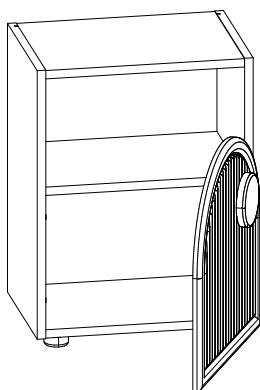
MSBP-164-REG_NIS_1D-207-01



L

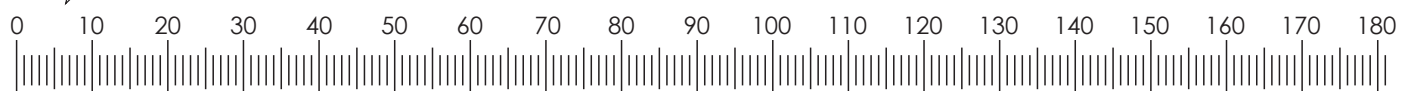
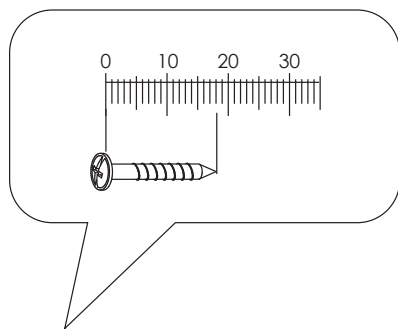
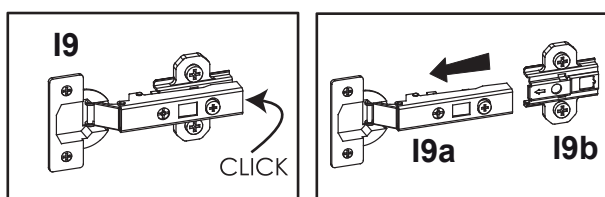
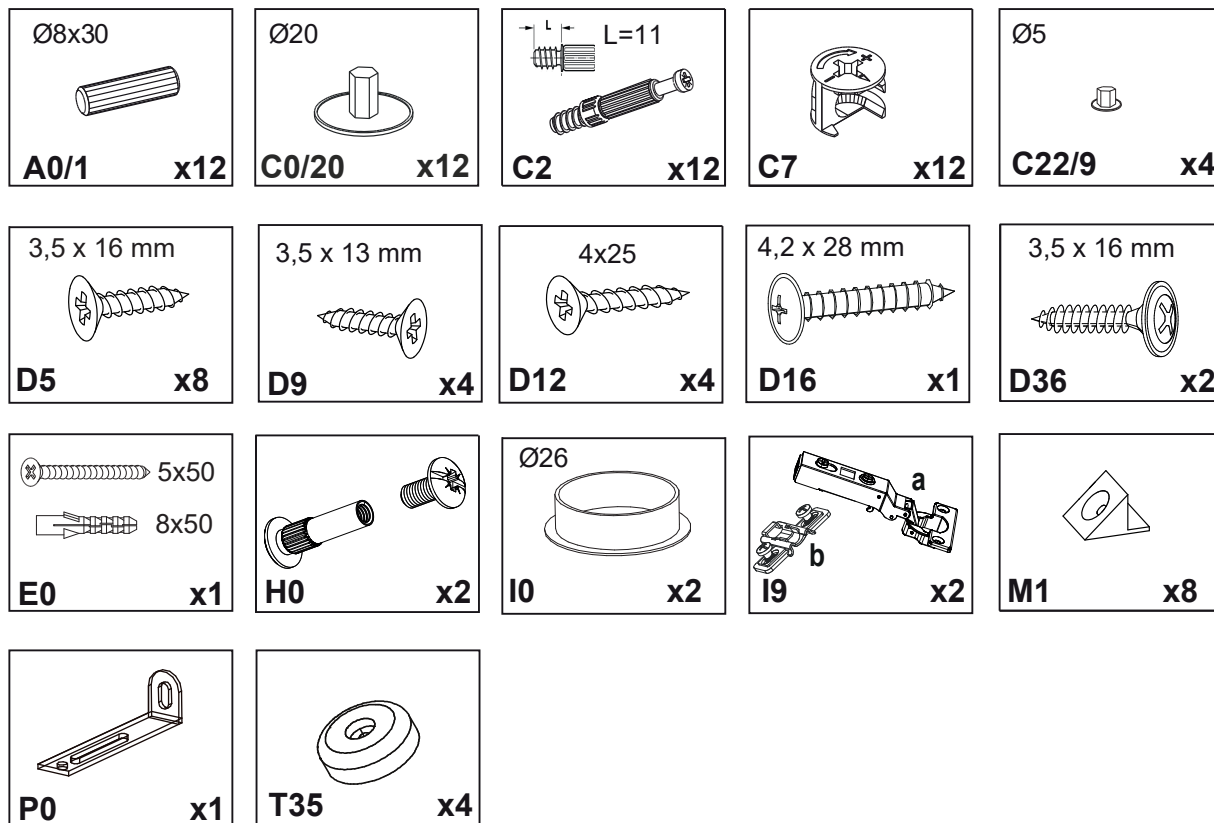


R




Ping Regał niski 1d

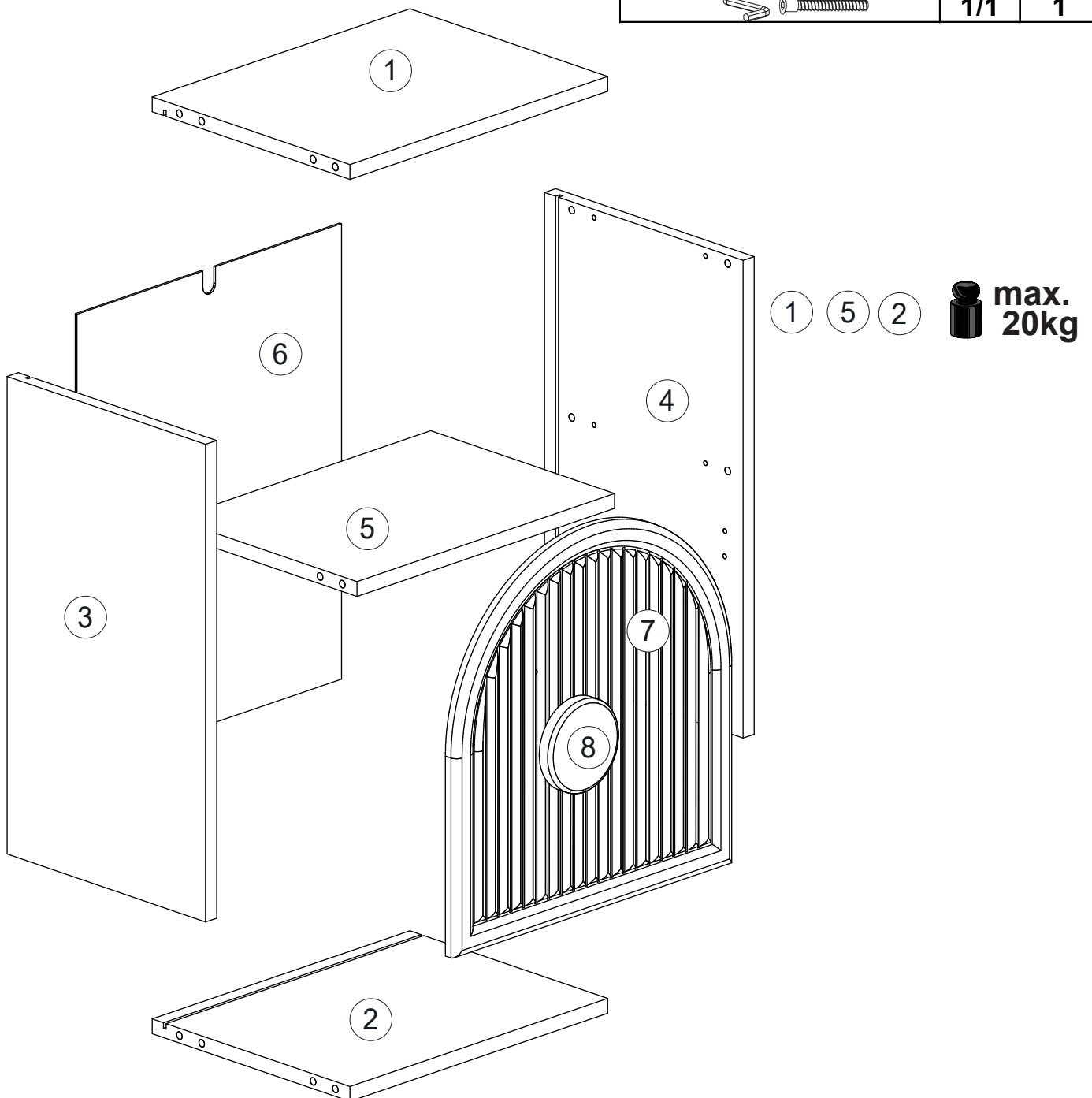
MSBP-164-REG_NIS_1D-207-01



Ping Regał niski 1d

MSBP-164-REG_NIS_1D-207-01

1	370	284	16	1/1	1
2	370	284	16	1/1	1
3	515	285	16	1/1	1
4	515	285	16	1/1	1
5	370	264	16	1/1	1
6	492	380	2,5	1/1	2
7	416	400	16	1/1	1
8	100	100	16	1/1	1
				1/1	1

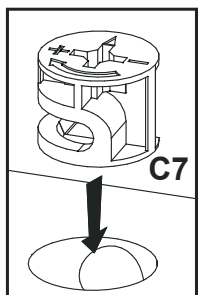
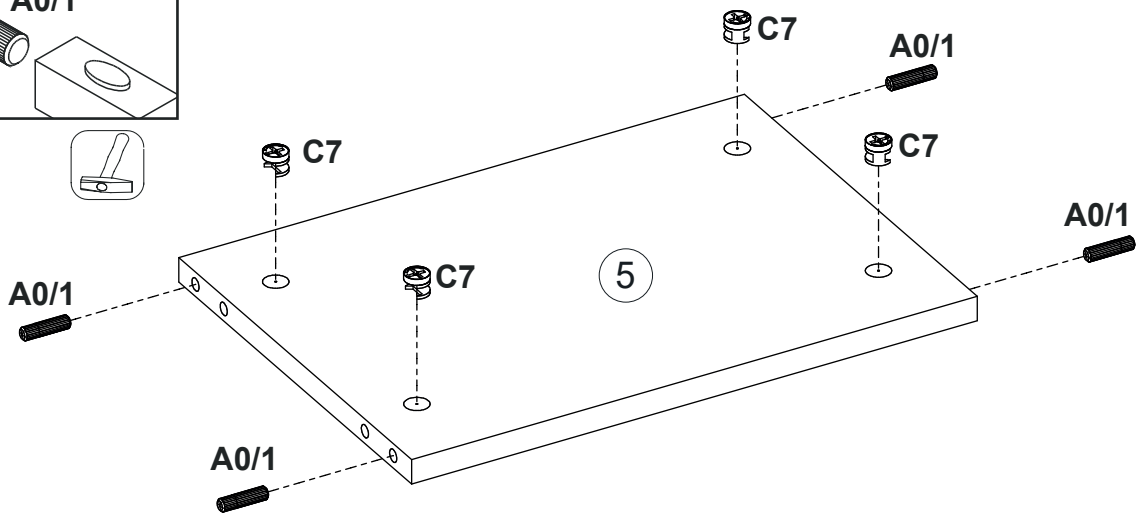
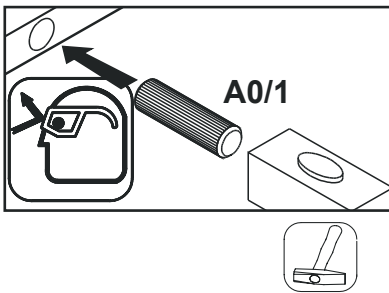
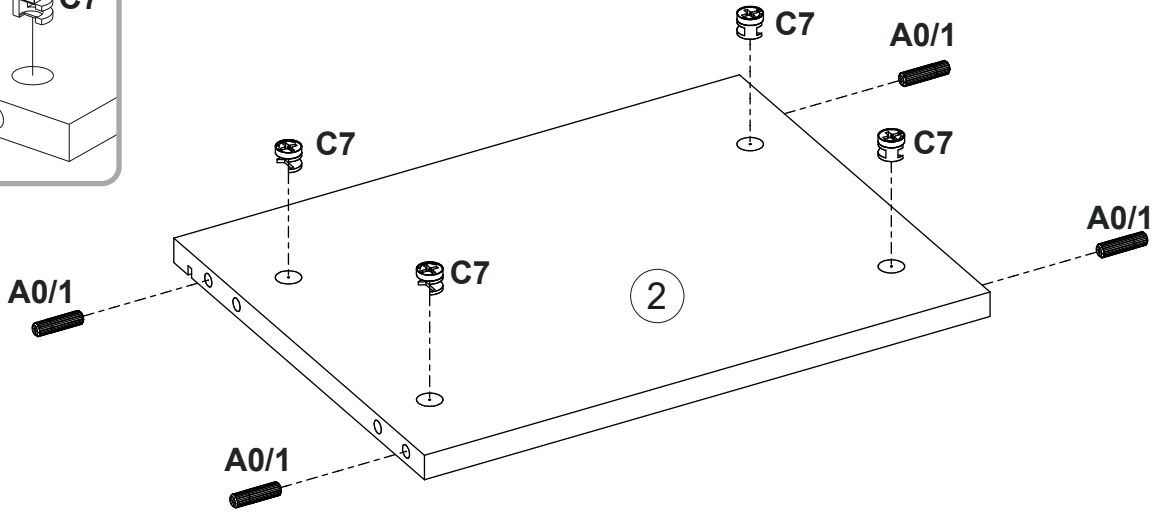
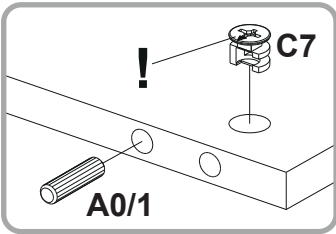
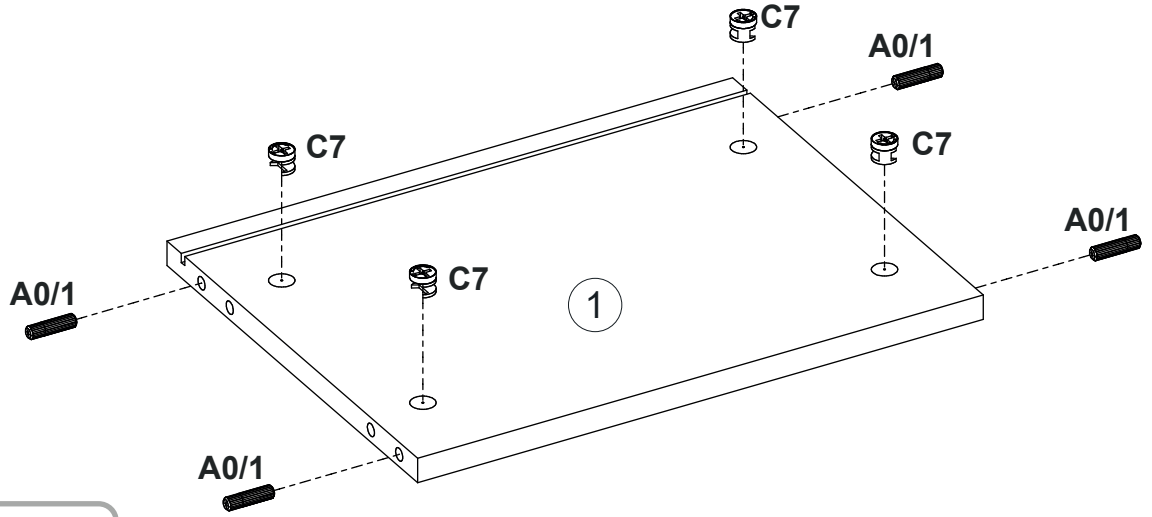


1

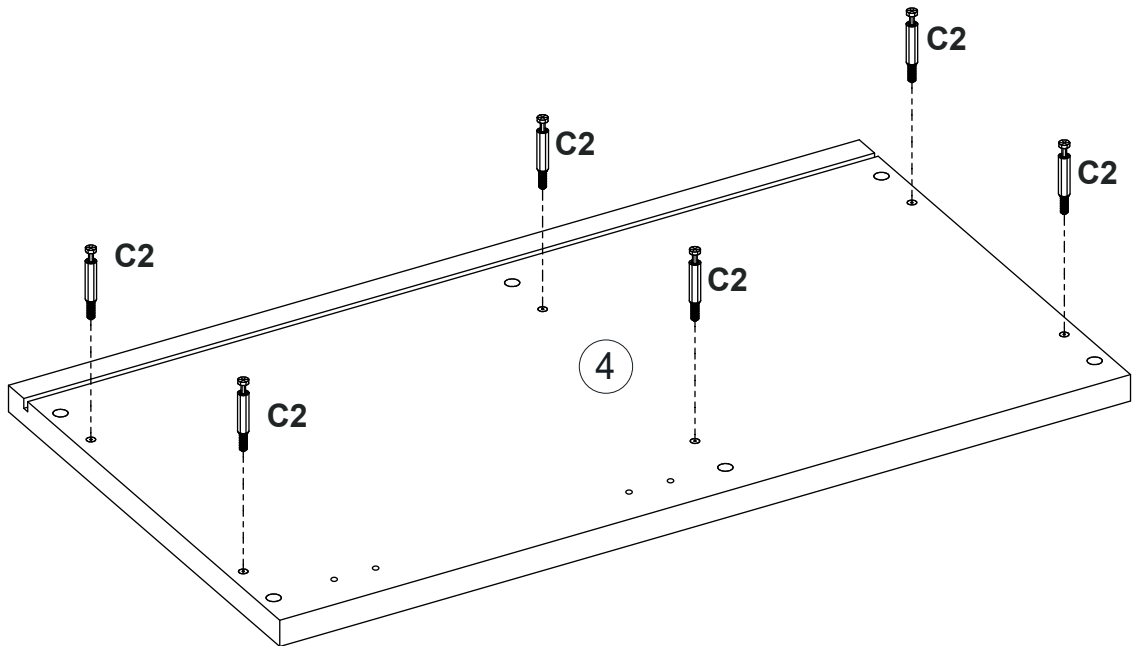
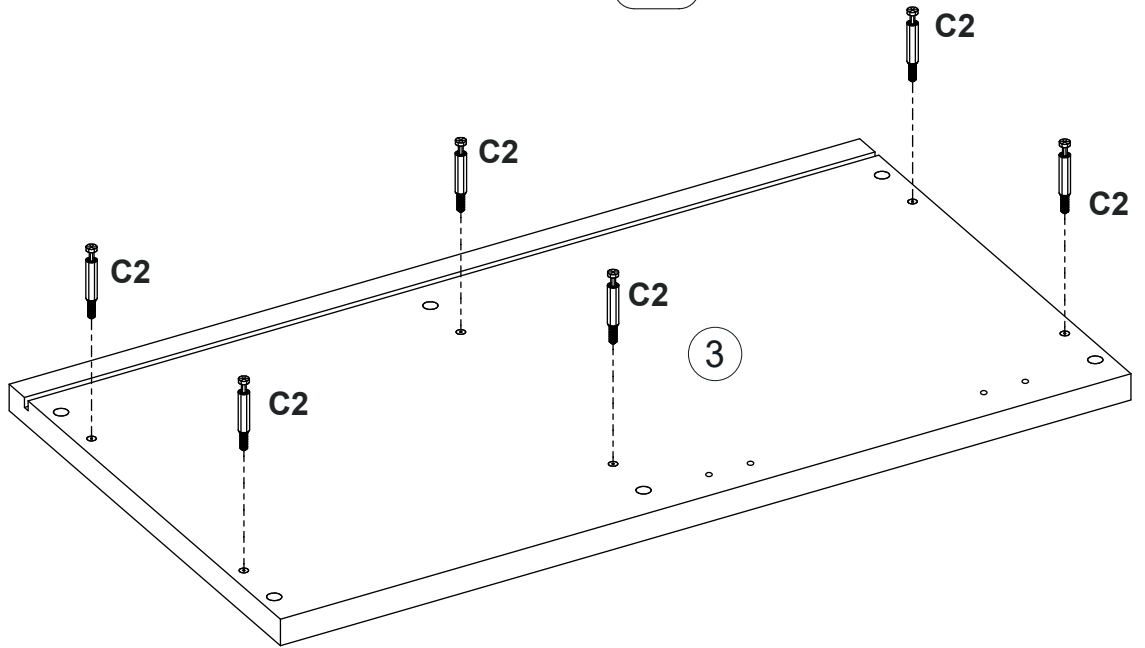
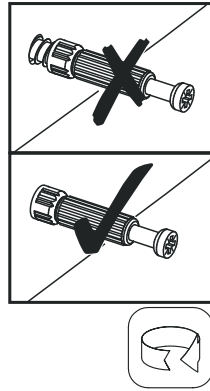
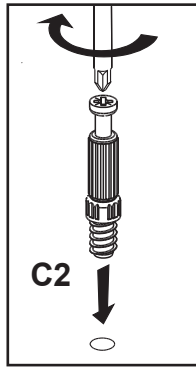
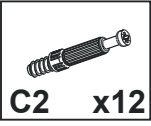
Ø8x30



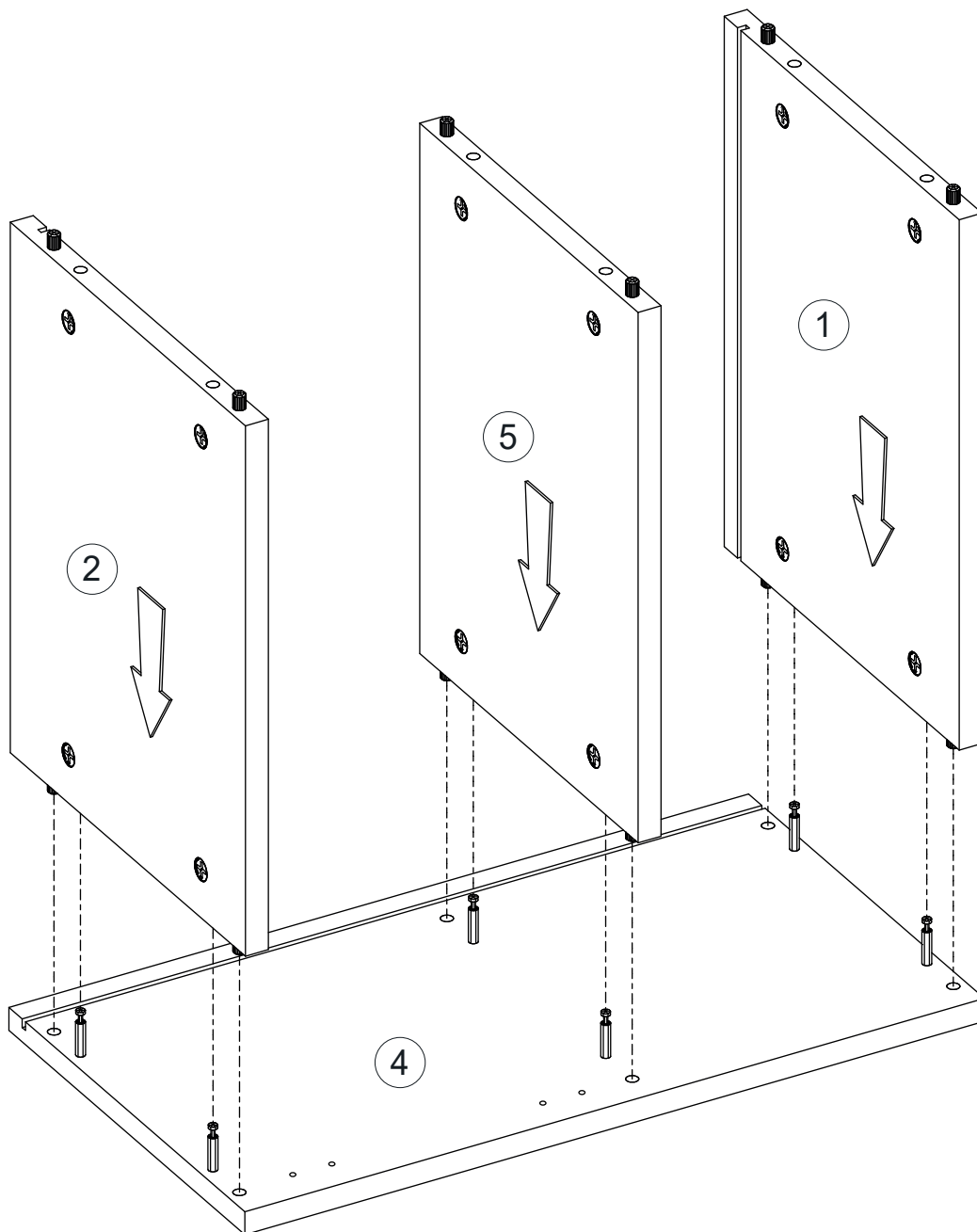
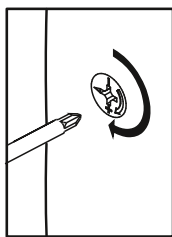
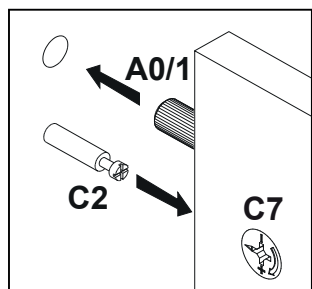
A0/1 x12 C7 x12



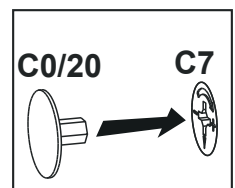
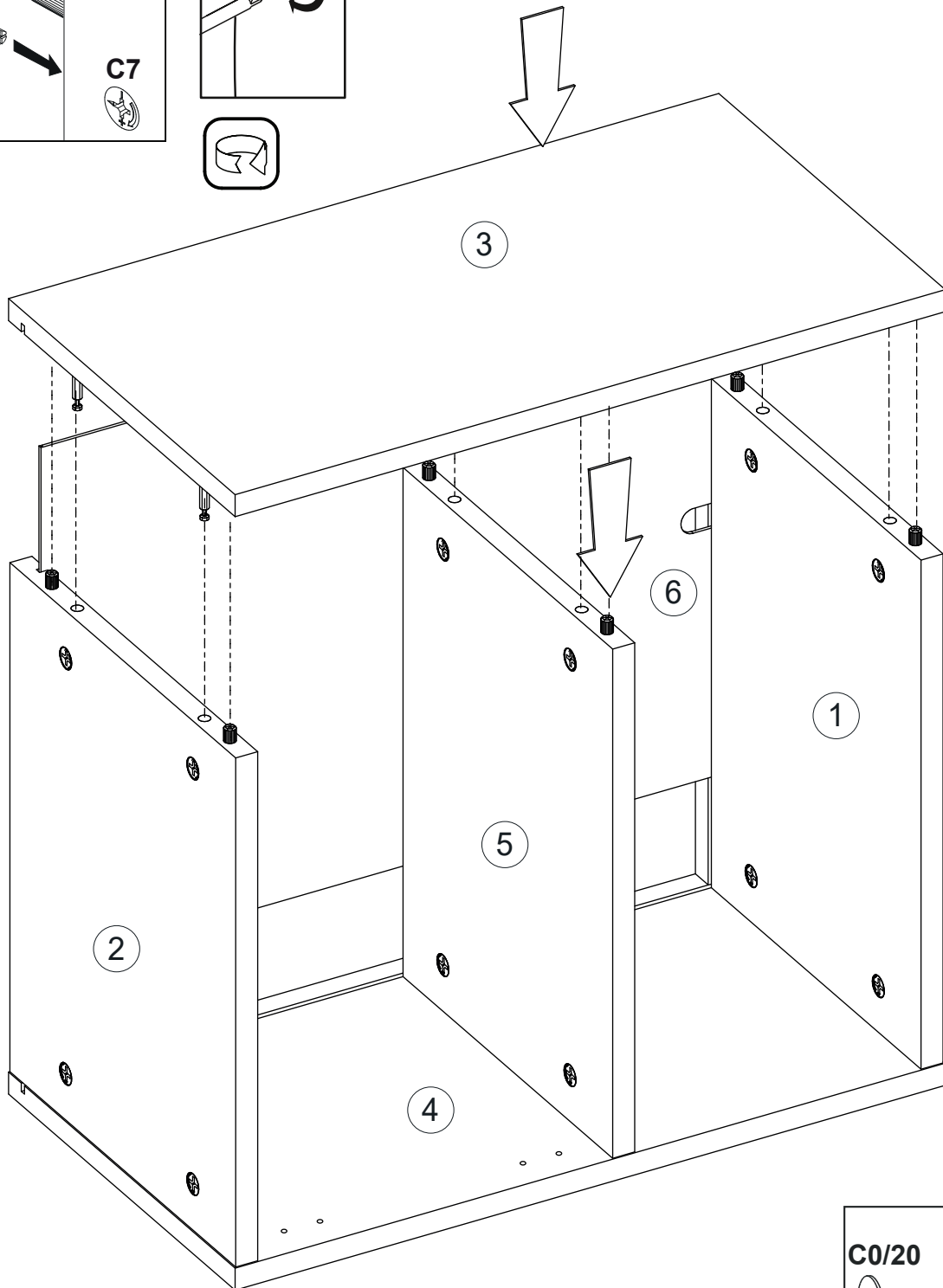
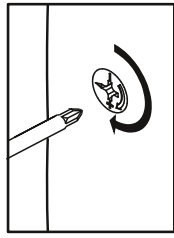
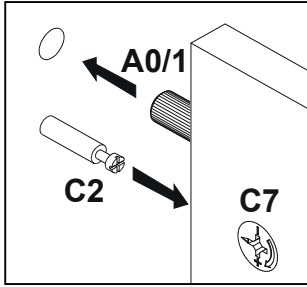
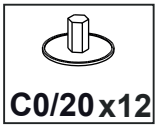
2



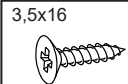
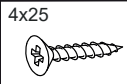


3

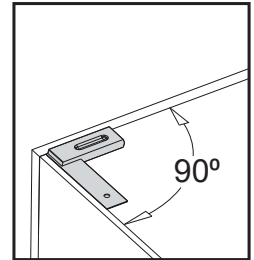
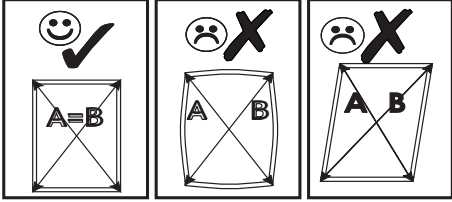


4

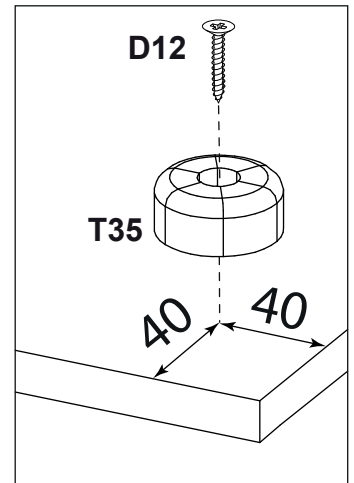
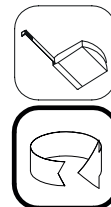
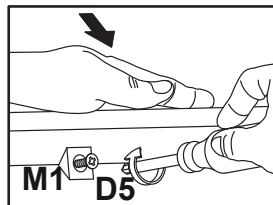
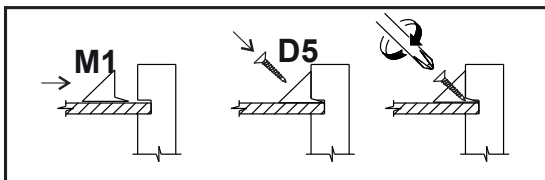
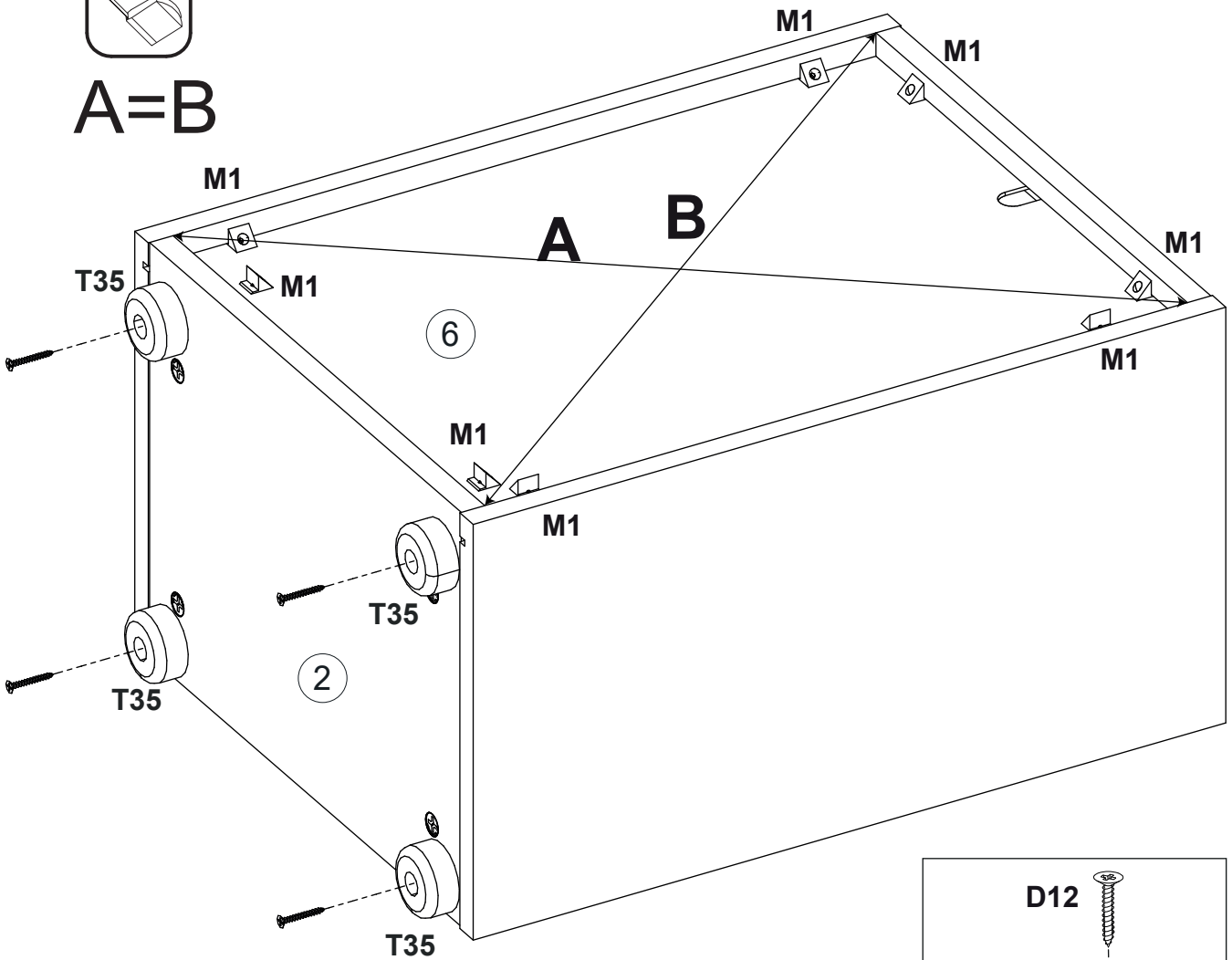


5

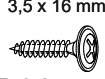
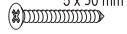
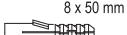

 3,5x16	 4x25	 M1	 T35
x8	x4	x8	x4

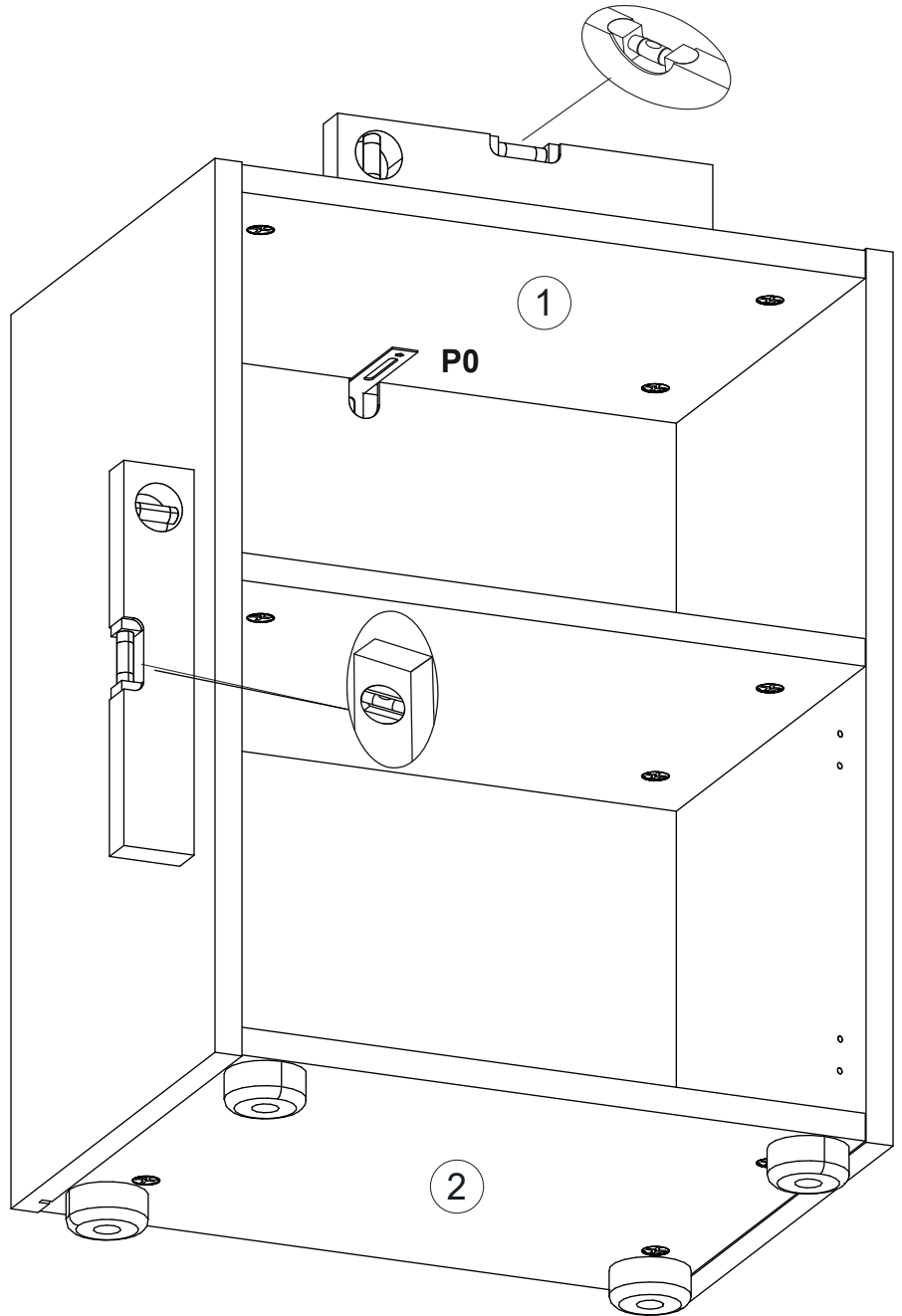
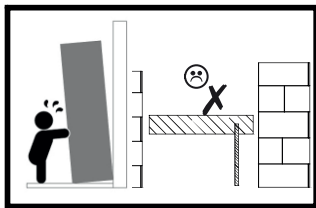
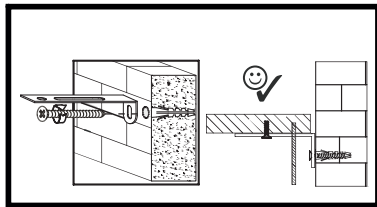
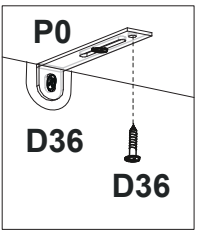
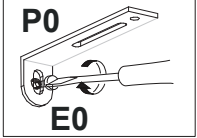
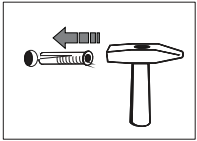
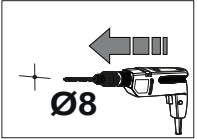
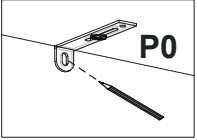
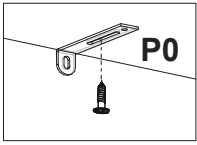


A=B

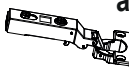




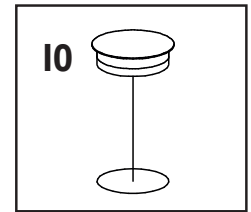
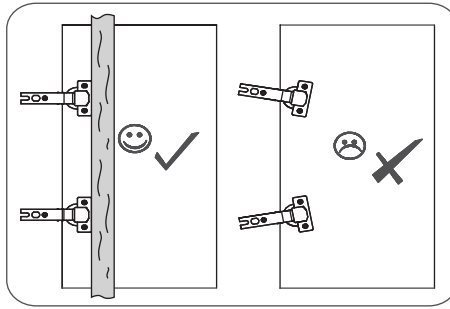
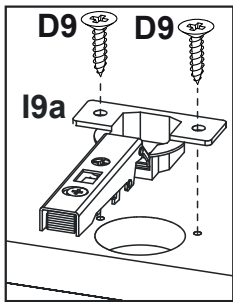
6

 3,5 x 16 mm	 5 x 50 mm	 8 x 50 mm	
D36 x2	E0 x1		P0 x1

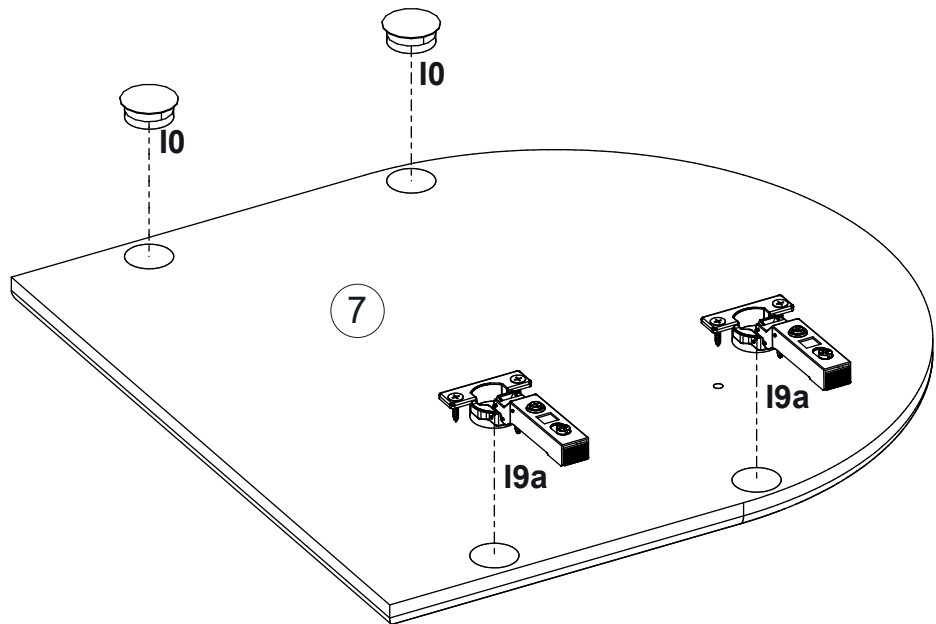
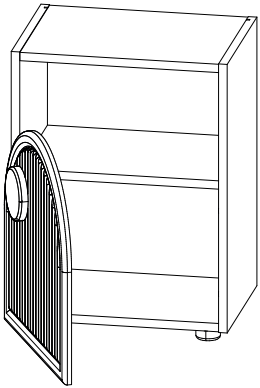


7

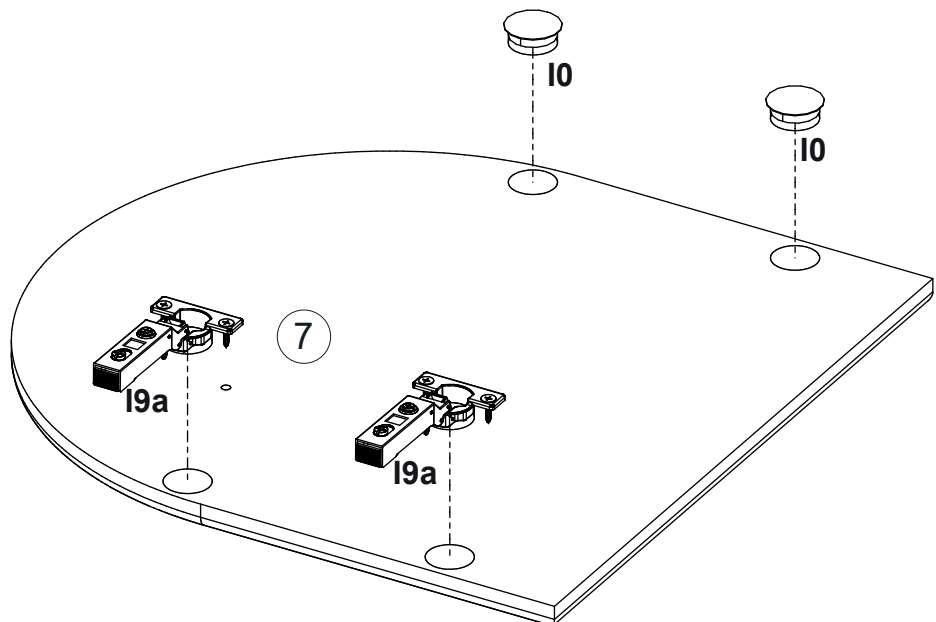
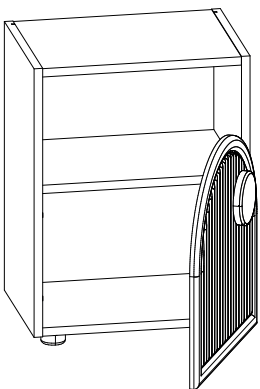
	a	3,5x13			
19a	x2	D9	x4	10	x2




L

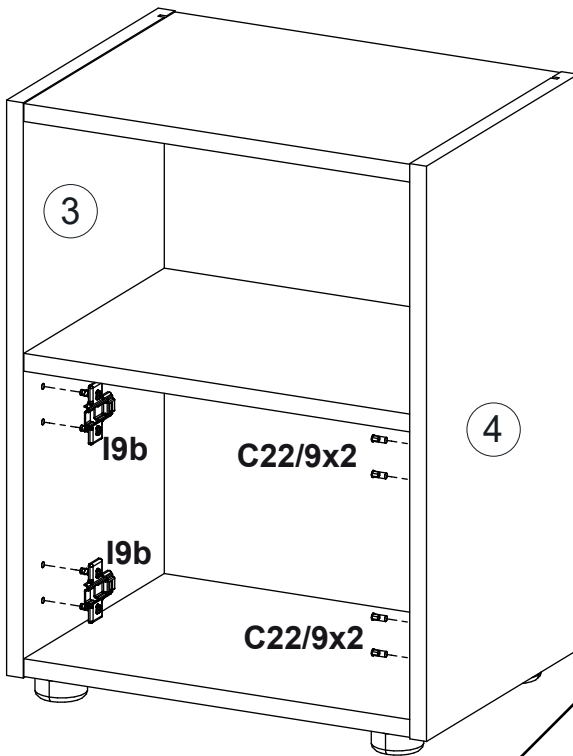
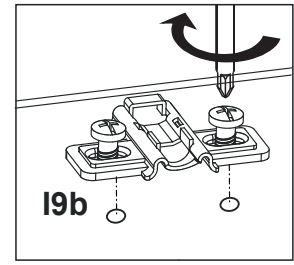
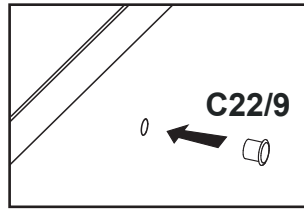


R

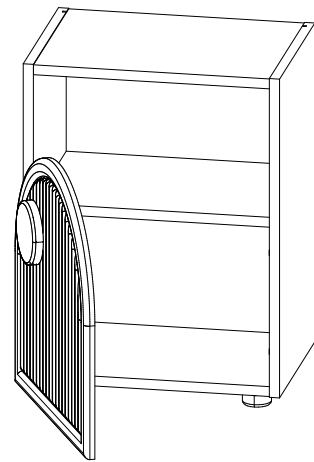


8

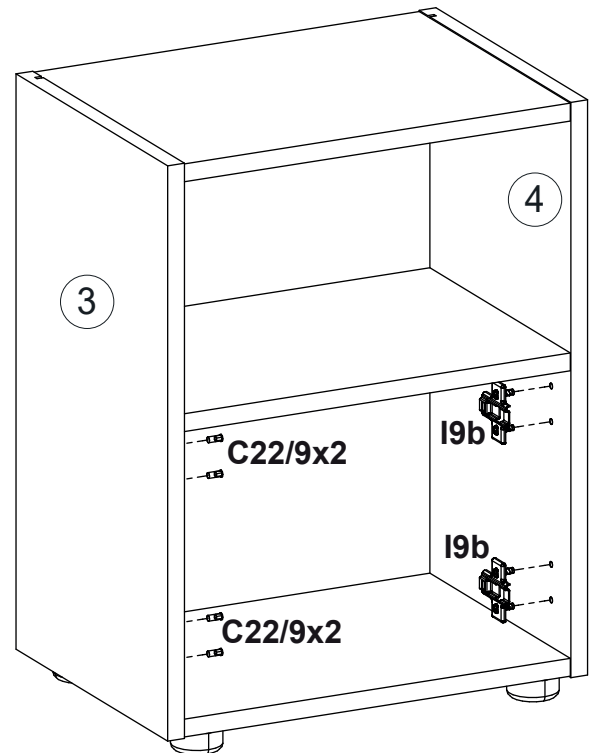
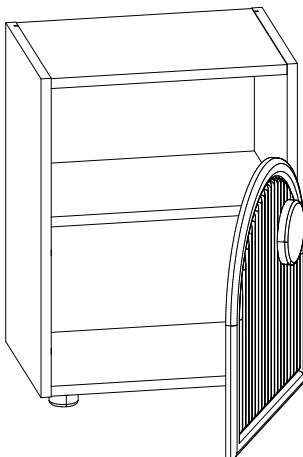
	
C22/9 x4	I9b x2



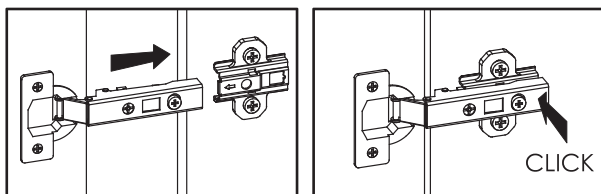
L



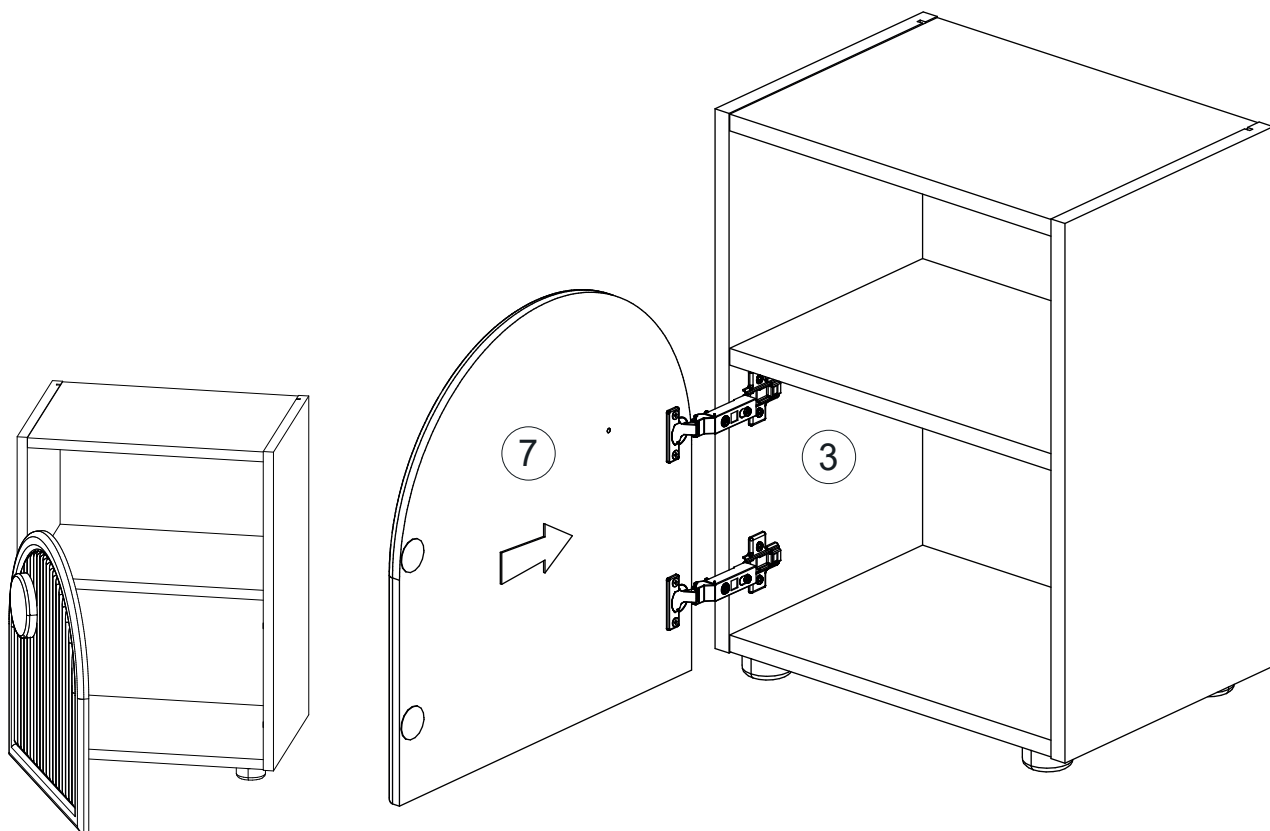
R



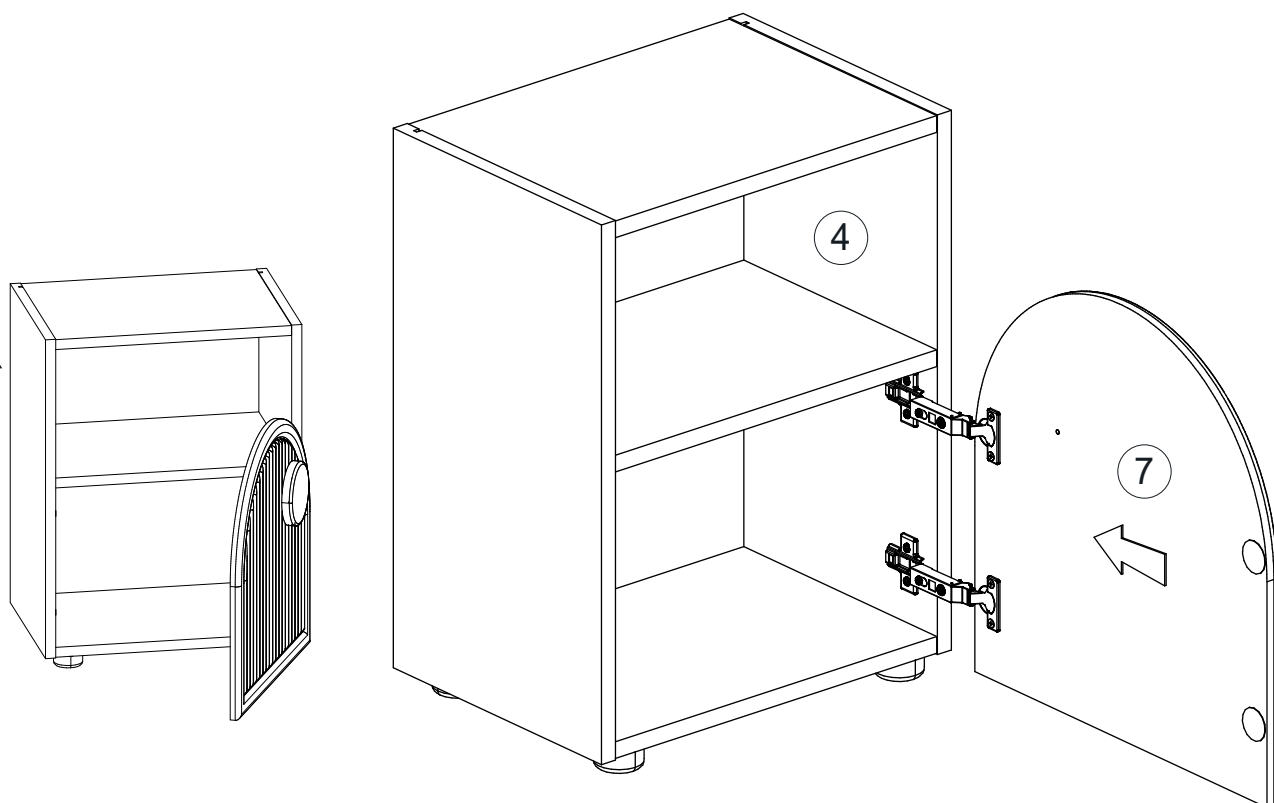
9



L

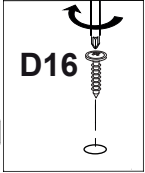
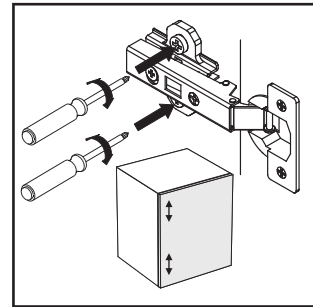
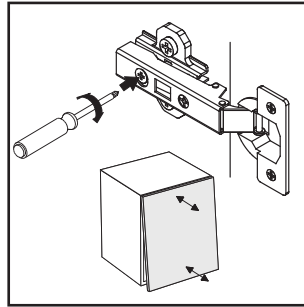
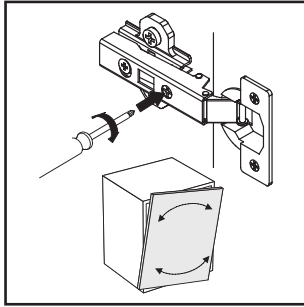


R

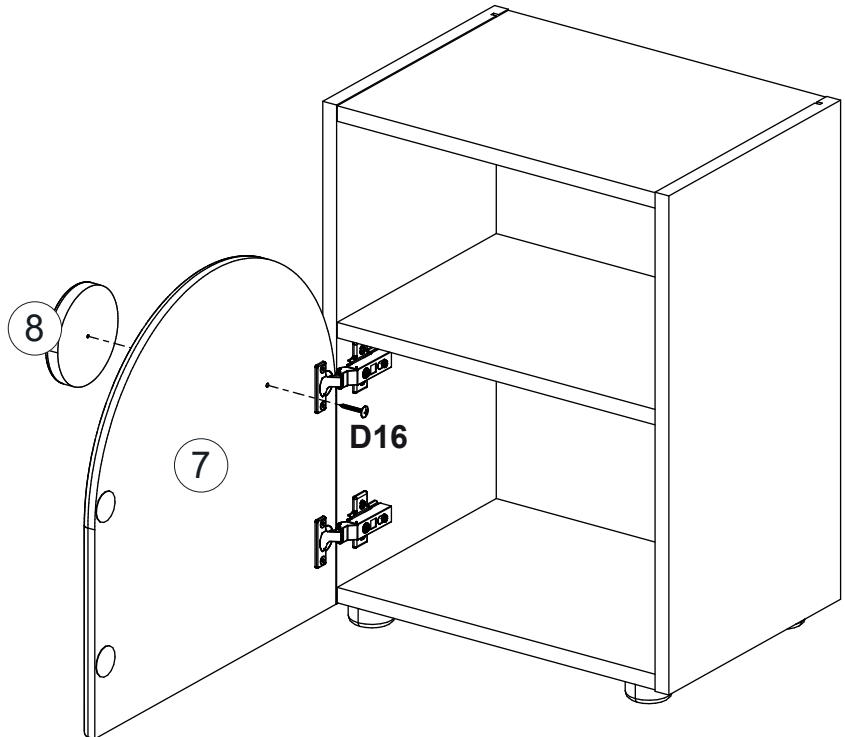
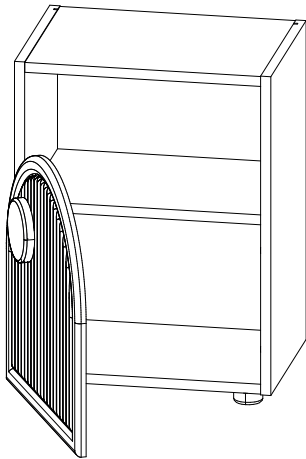


10

4,2 x 28 mm
D16 x1



L



R

