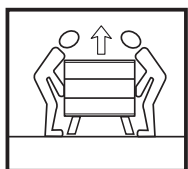
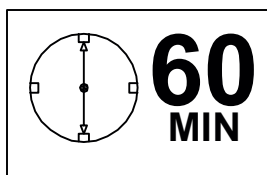
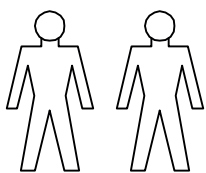
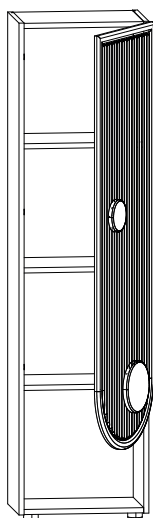
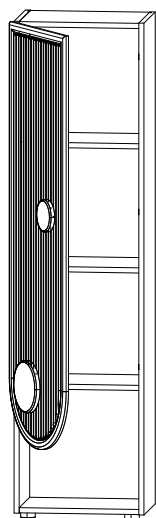


Ping Regał 1d

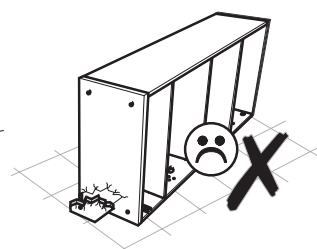
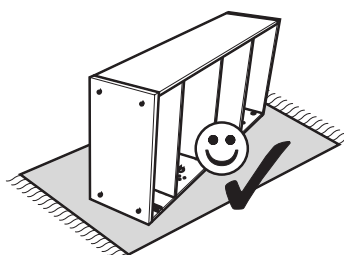
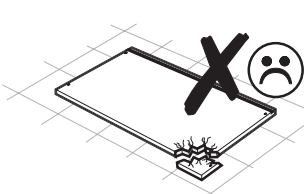
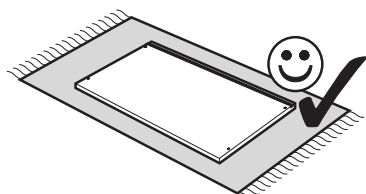
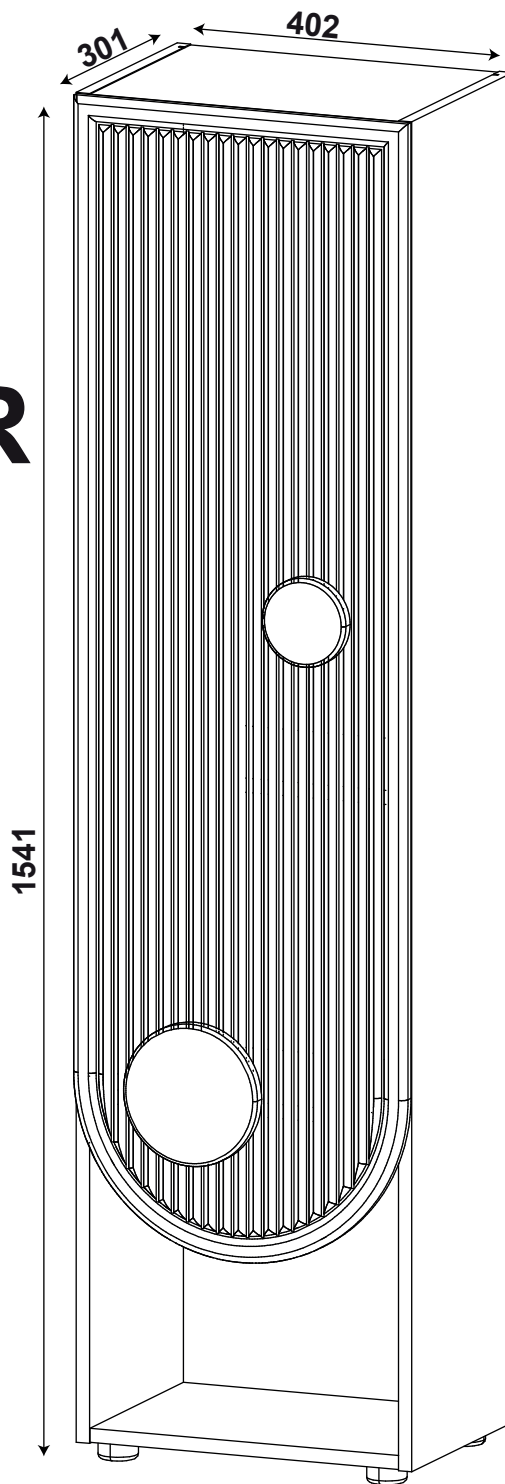
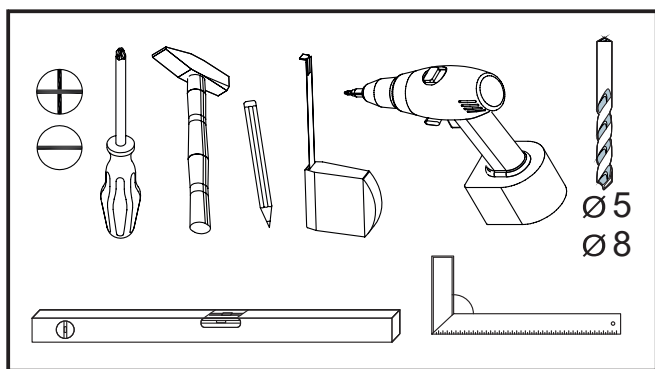
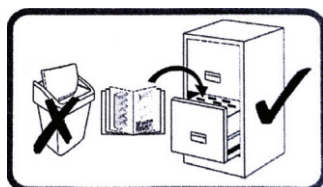
MSBP-164-REG_1D-207-01



L


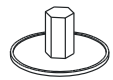
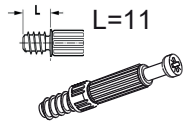
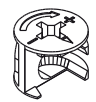

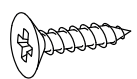
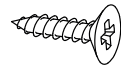
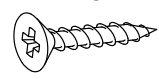
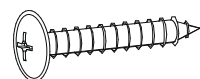
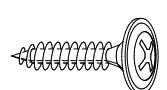
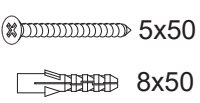
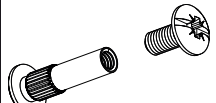

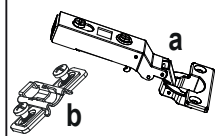
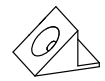
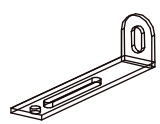
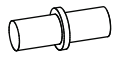



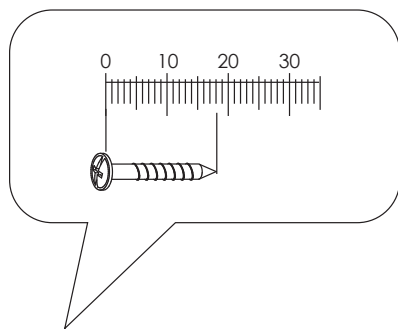
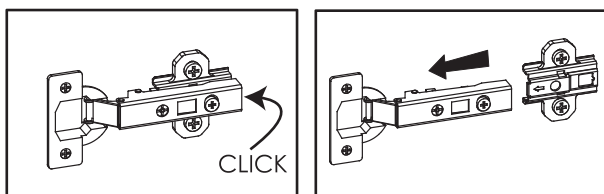
R



Ping Regał 1d

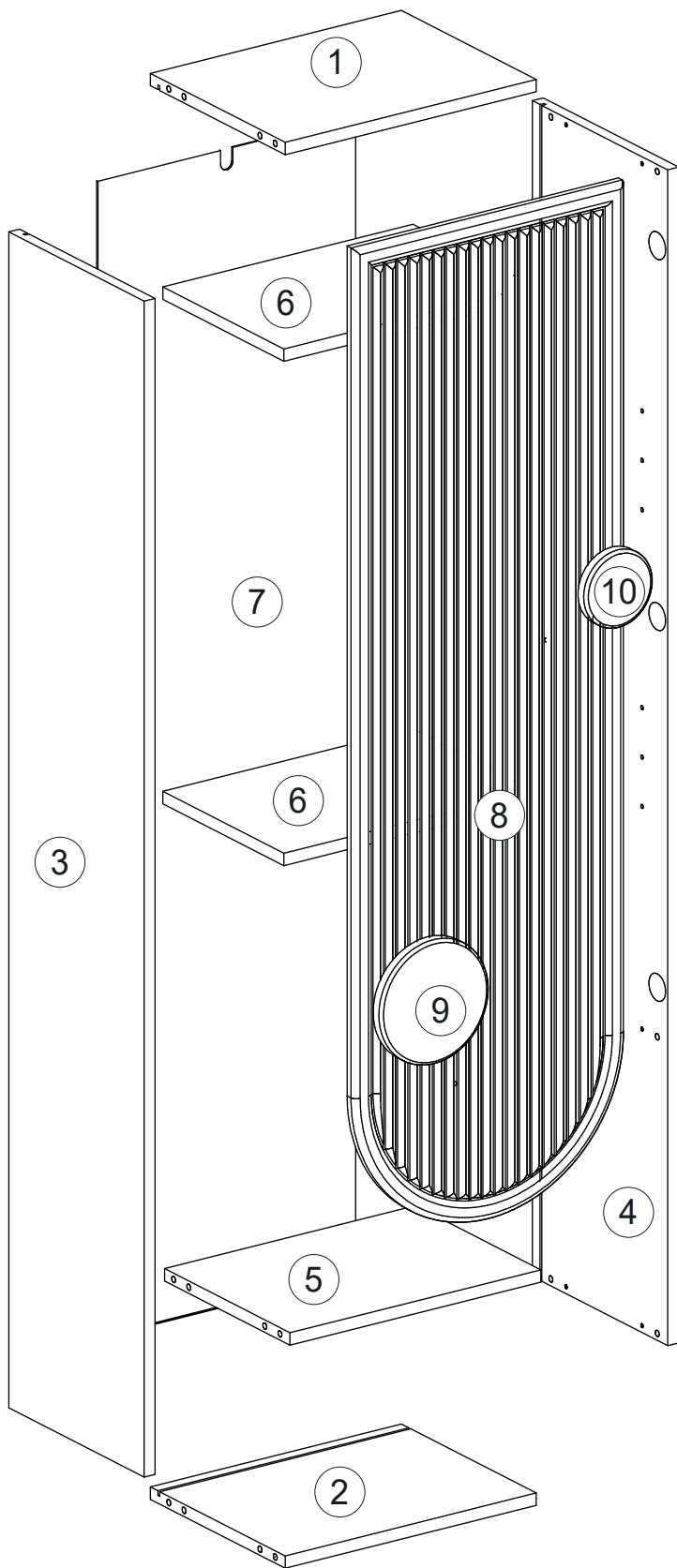
MSBP-164-REG_1D-207-01


<p>Ø8x30</p>  <p>A0/1 x12</p>	<p>Ø20</p>  <p>C0/20 x12</p>	<p>L=11</p>  <p>C2 x12</p>	 <p>C7 x12</p>	<p>Ø5</p>  <p>C22/9 x6</p>
<p>3,5x16</p>  <p>D5 x12</p>	<p>3,5 x 13 mm</p>  <p>D9 x6</p>	<p>4x25</p>  <p>D12 x4</p>	<p>4,2 x 28 mm</p>  <p>D16 x2</p>	<p>3,5 x 16 mm</p>  <p>D36 x2</p>
<p>5x50</p> <p>8x50</p>  <p>E0 x1</p>	 <p>H0 x2</p>	<p>Ø26</p>  <p>I0 x3</p>	 <p>I9 x3</p>	 <p>M1 x12</p>
 <p>P0 x1</p>	 <p>Q0 x8</p>	 <p>T35 x4</p>		




Ping Regał 1d

MSBP-164-REG_1D-207-01



1	370	284	16	1/1	1
2	370	284	16	1/1	1
3	1522	285	16	1/1	1
4	1522	285	16	1/1	1
5	370	264	16	1/1	1
6	369	255	16	1/1	2
7	1498	380	2,5	1/1	1
8	1300	400	16	1/1	1
9	160	160	16	1/1	1
10	100	100	16	1/1	1
				1/1	1

- 2

max. 20kg
- 1
5

max. 10kg
- 6

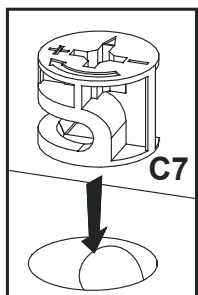
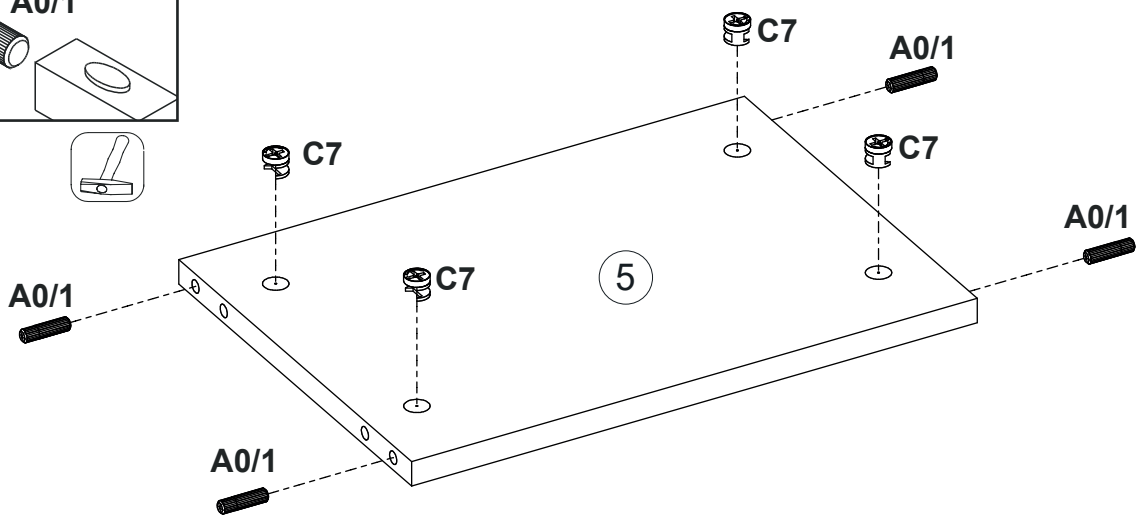
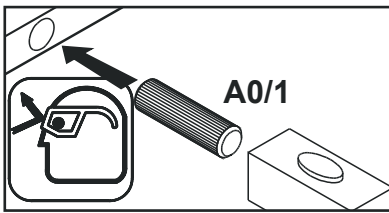
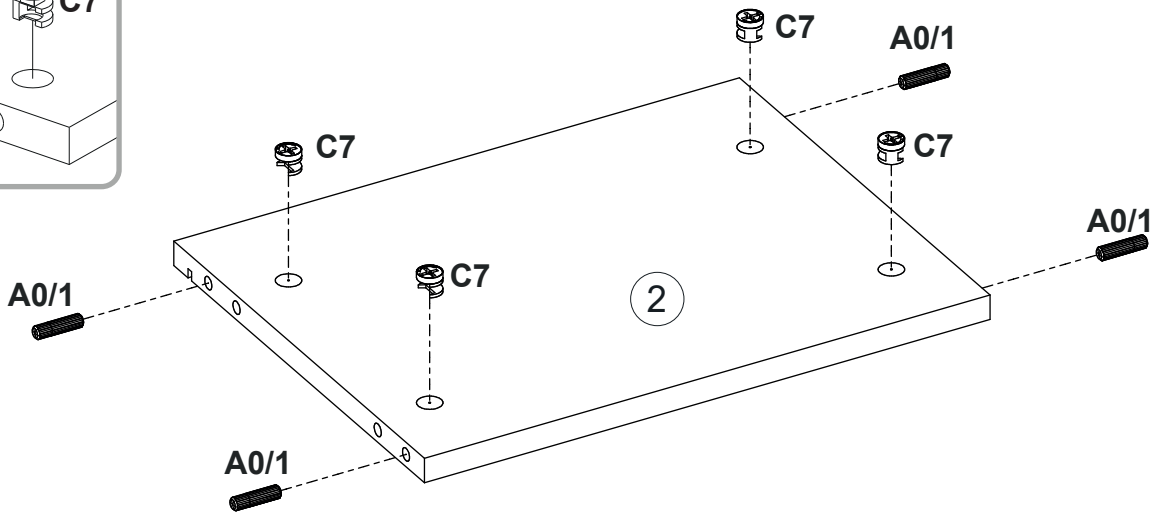
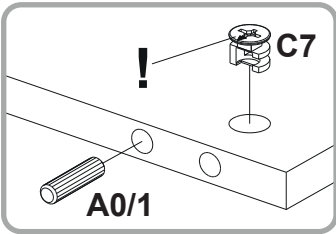
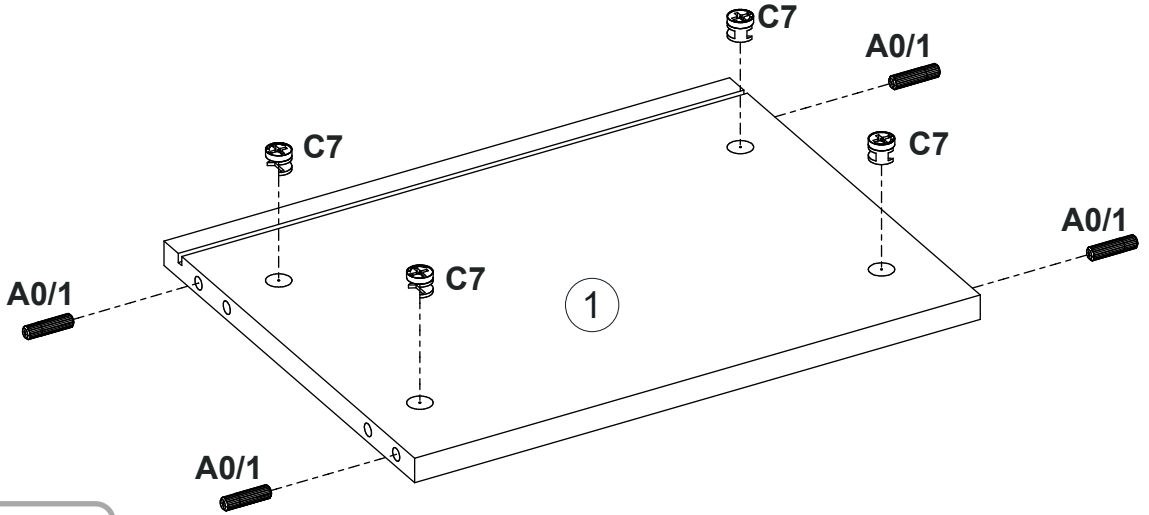
max. 5 kg

1

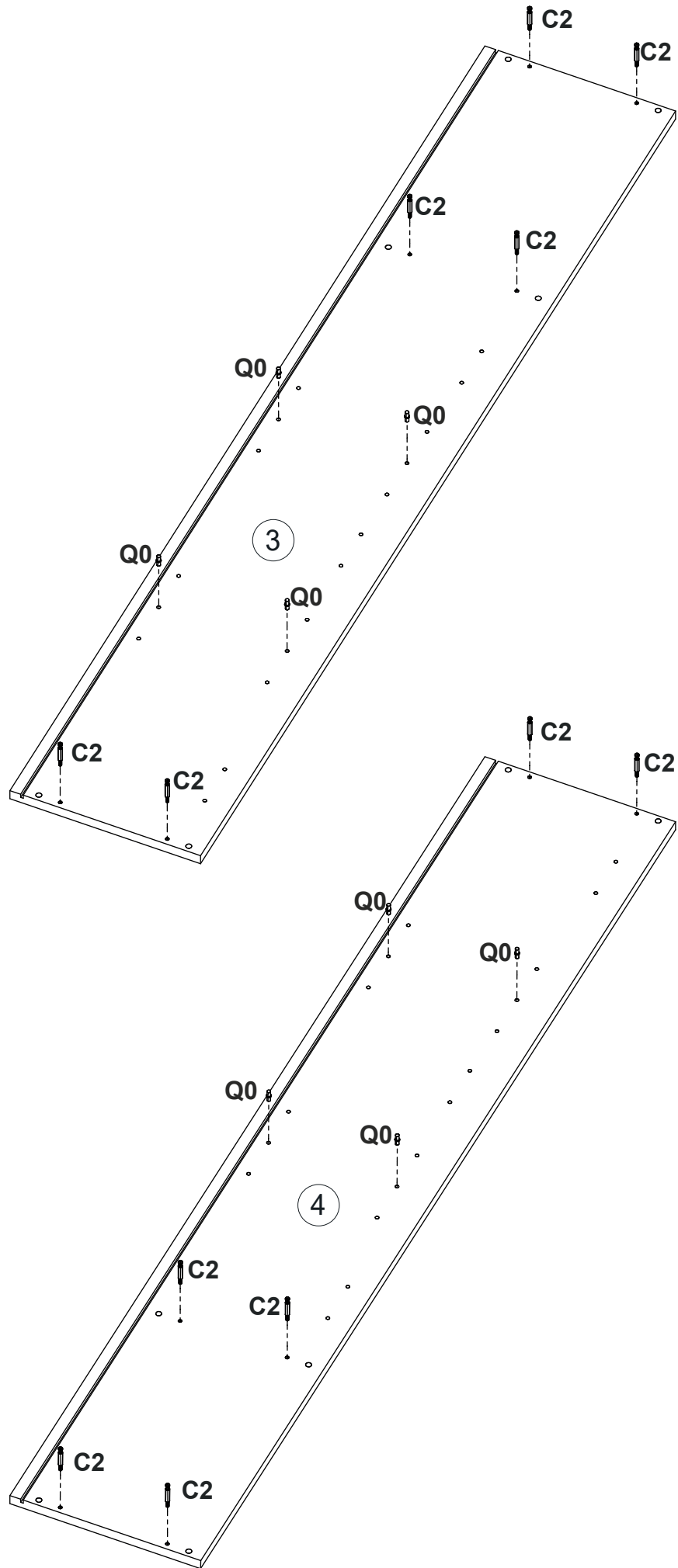
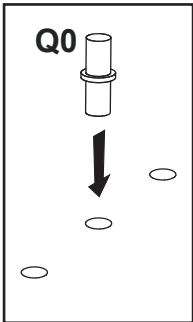
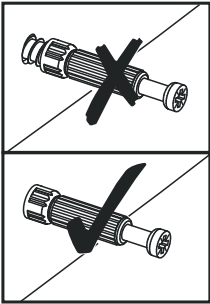
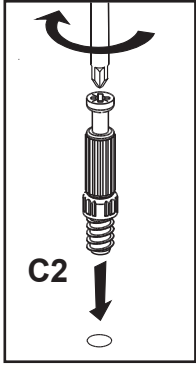
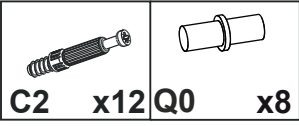
Ø8x30



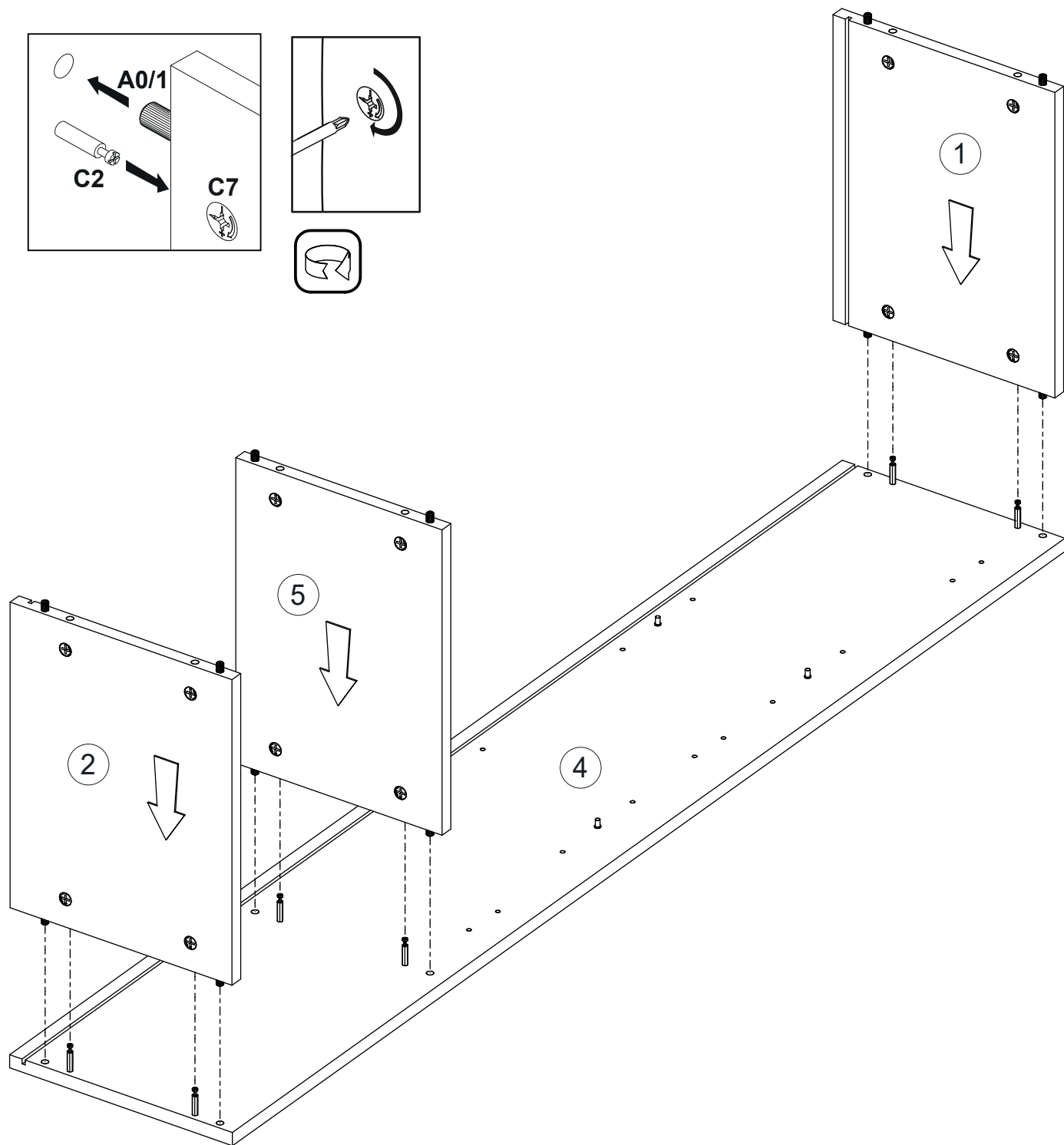
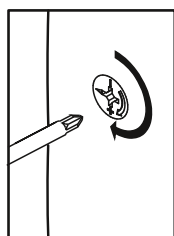
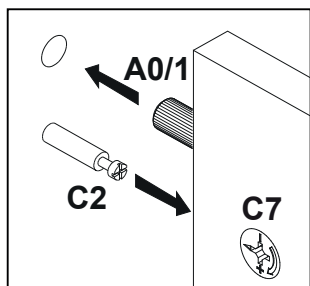
A0/1 x12 C7 x12



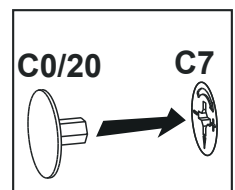
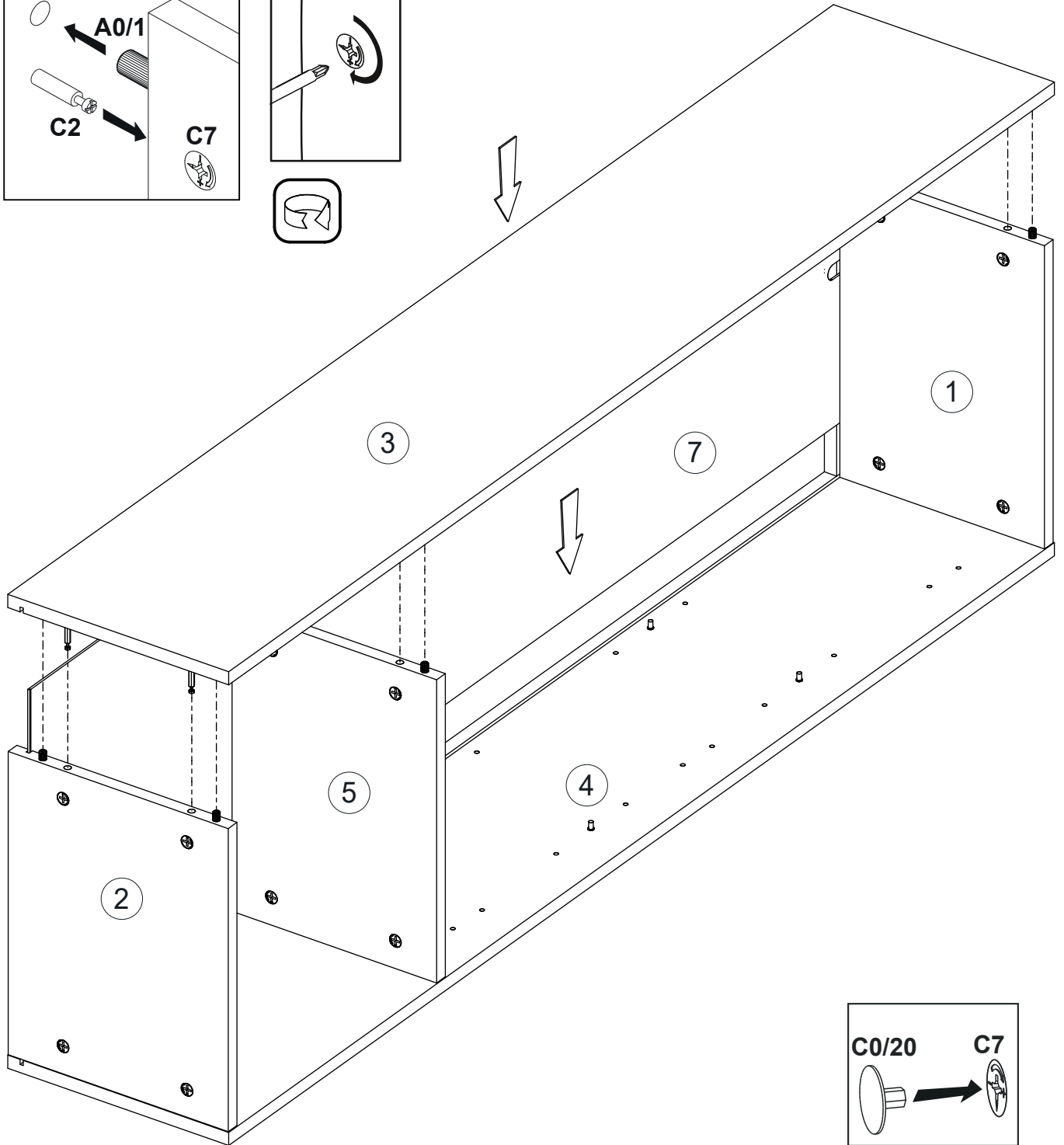
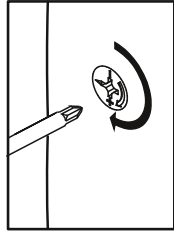
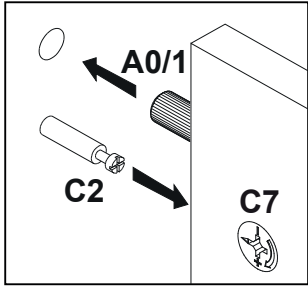
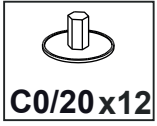
2



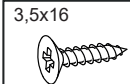
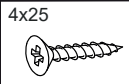


3

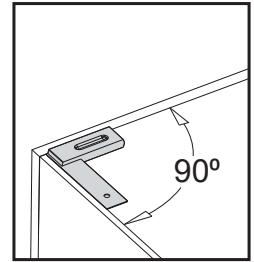
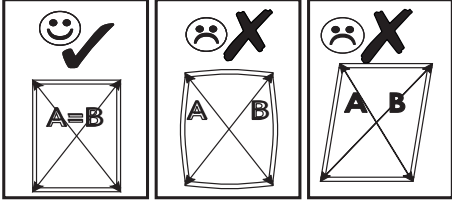


4

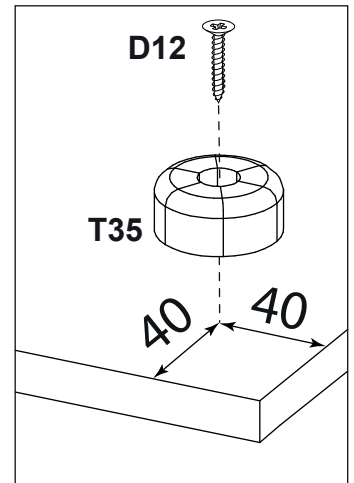
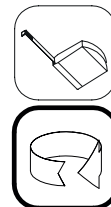
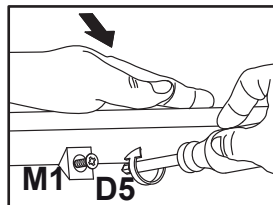
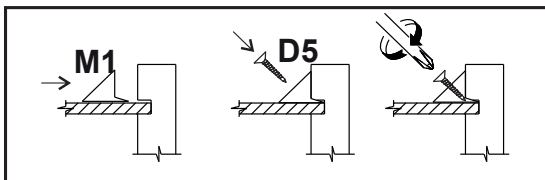
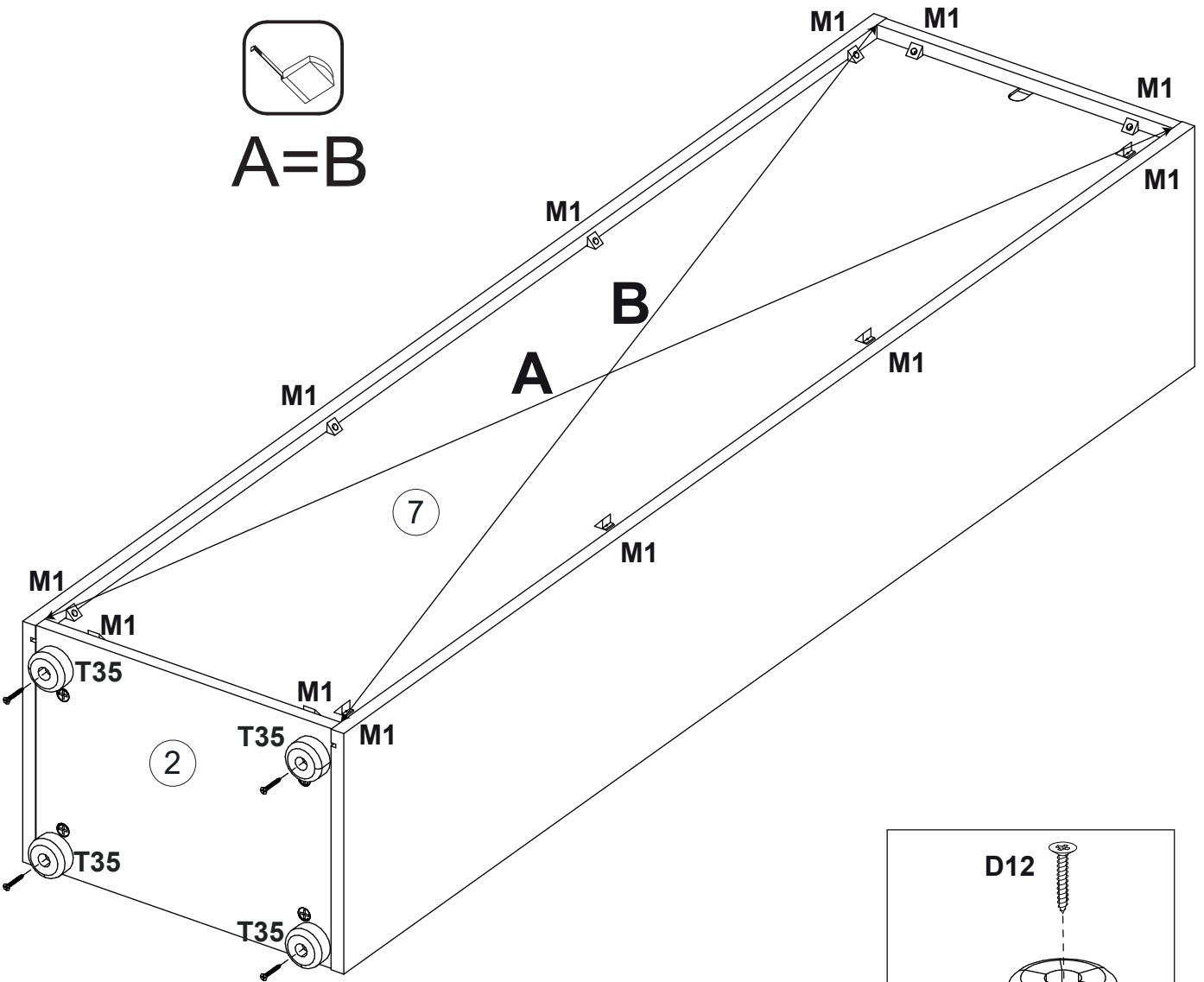


5

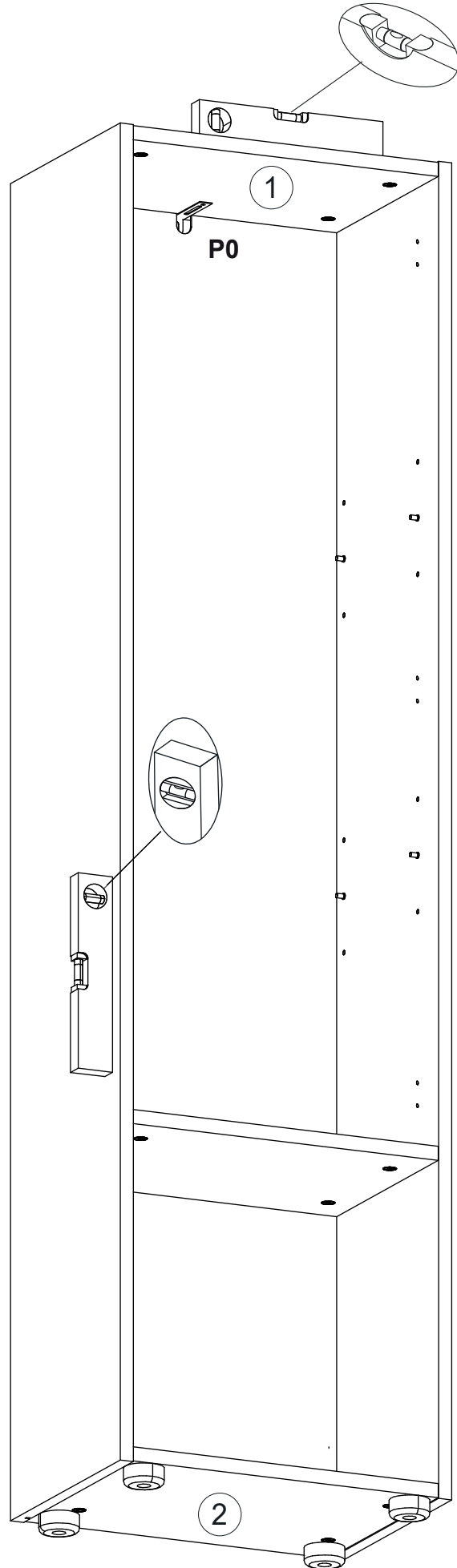
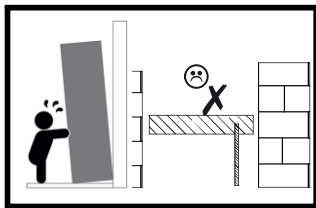
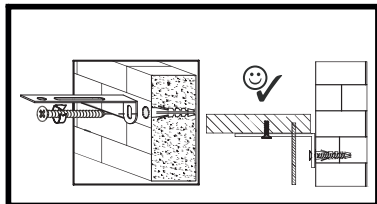
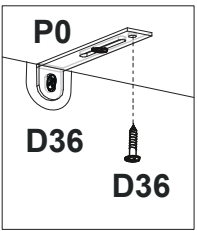
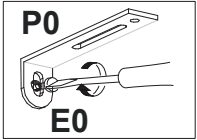
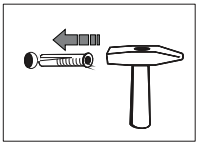
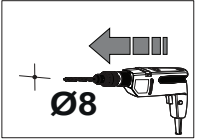
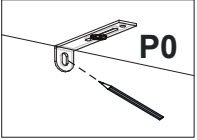
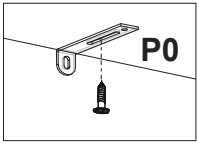
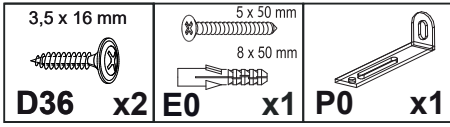
 3,5x16	 4x25	 M1	 T35
D5	x12	D12	x4
		M1	x12
		T35	x4



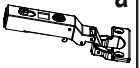


A=B

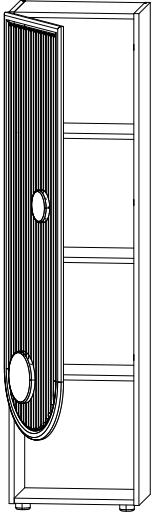
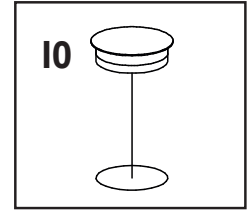
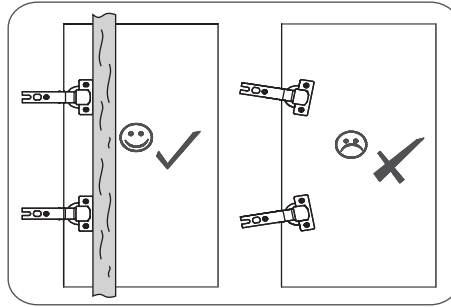
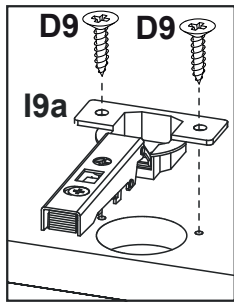


6

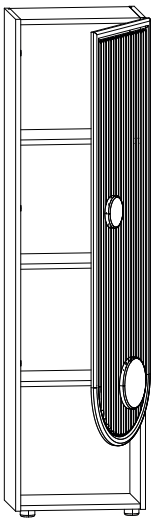
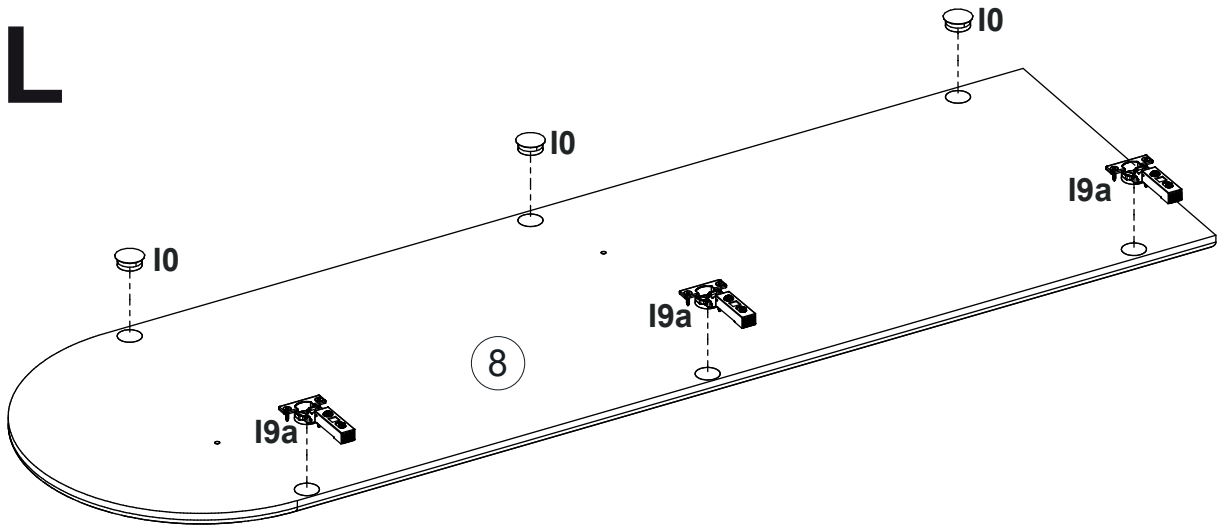


7

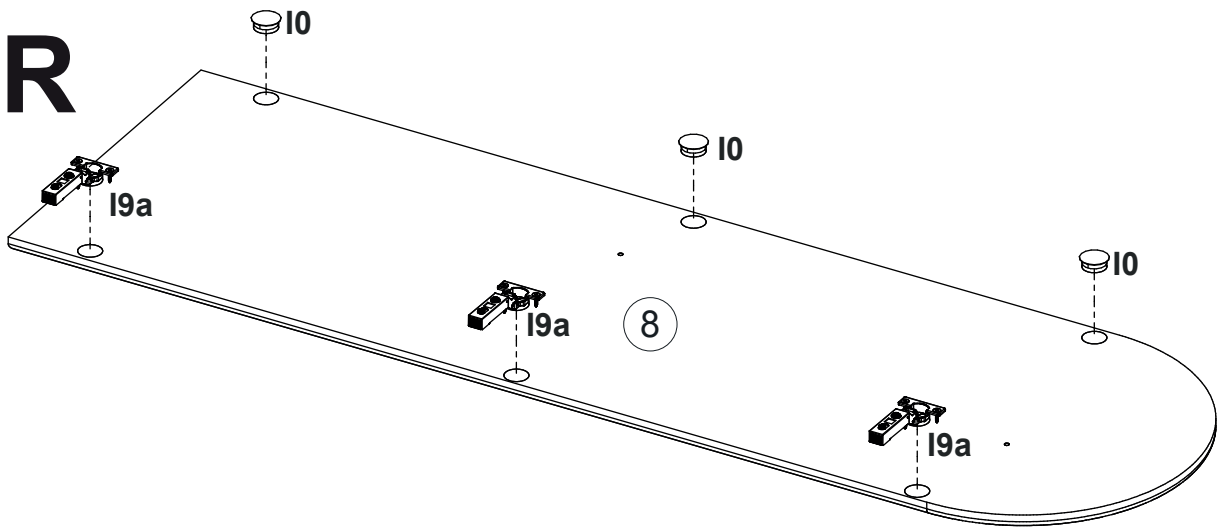
	a	3,5x13			
J41/1	x3	D9	x6	I0	x3



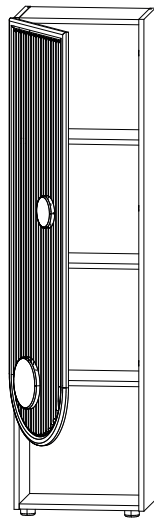
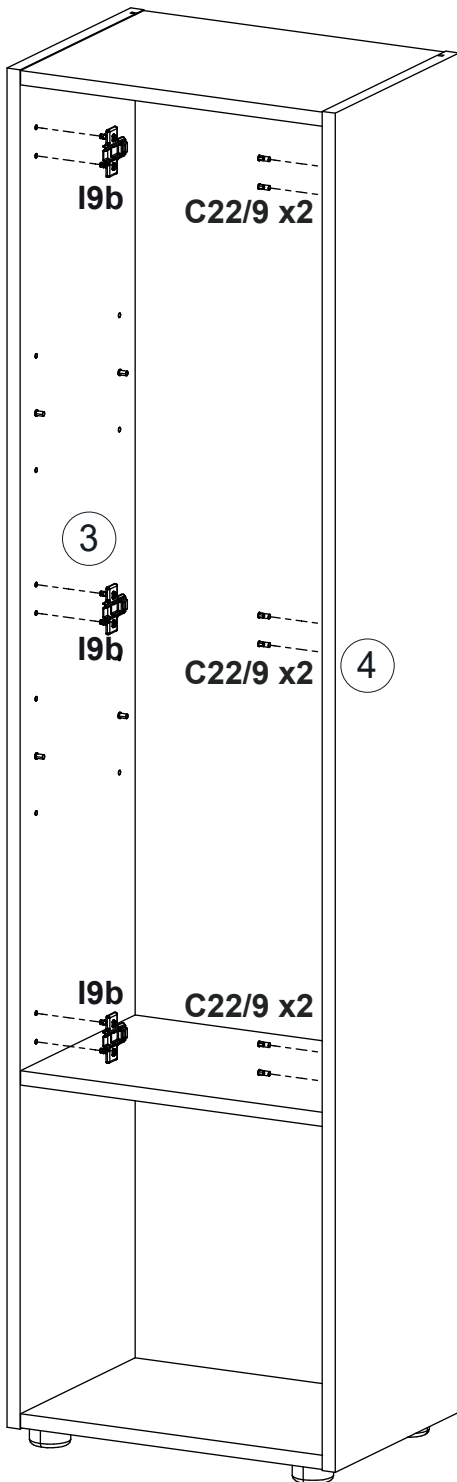
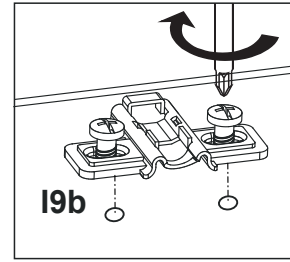
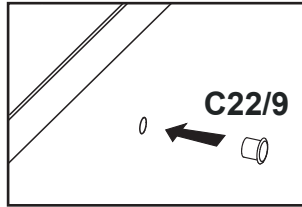
L



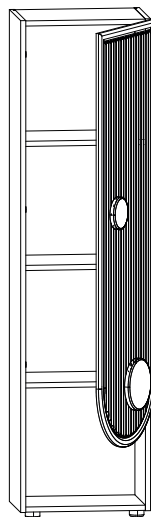
R



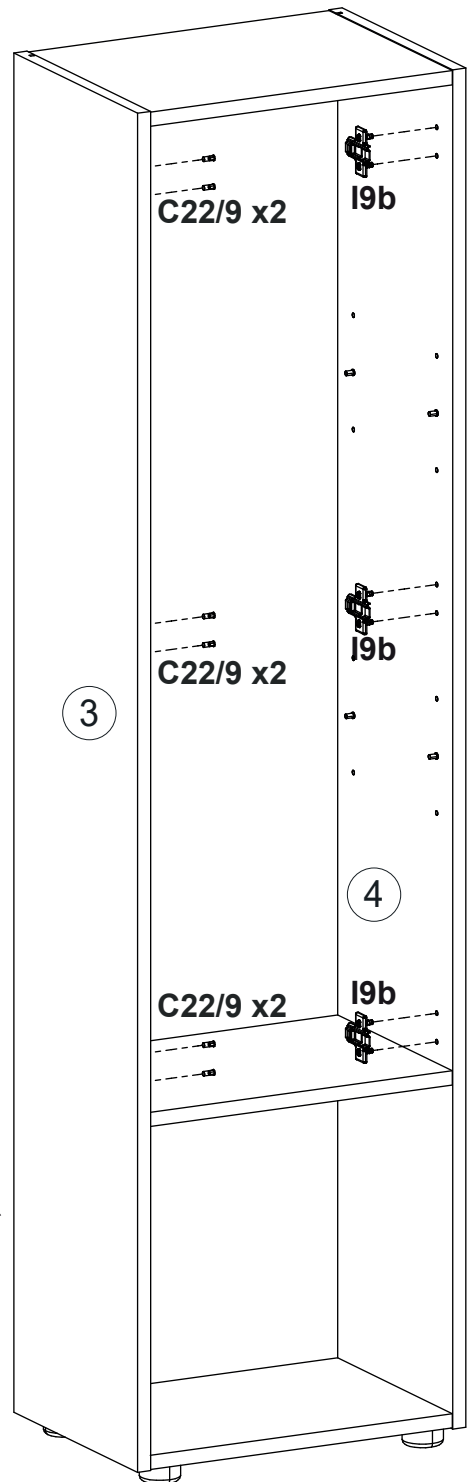
8



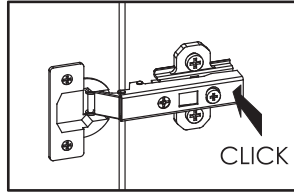
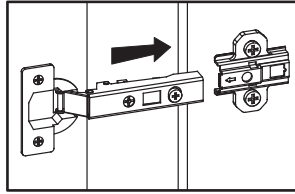
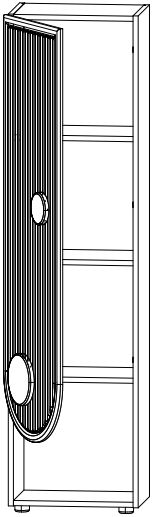
L



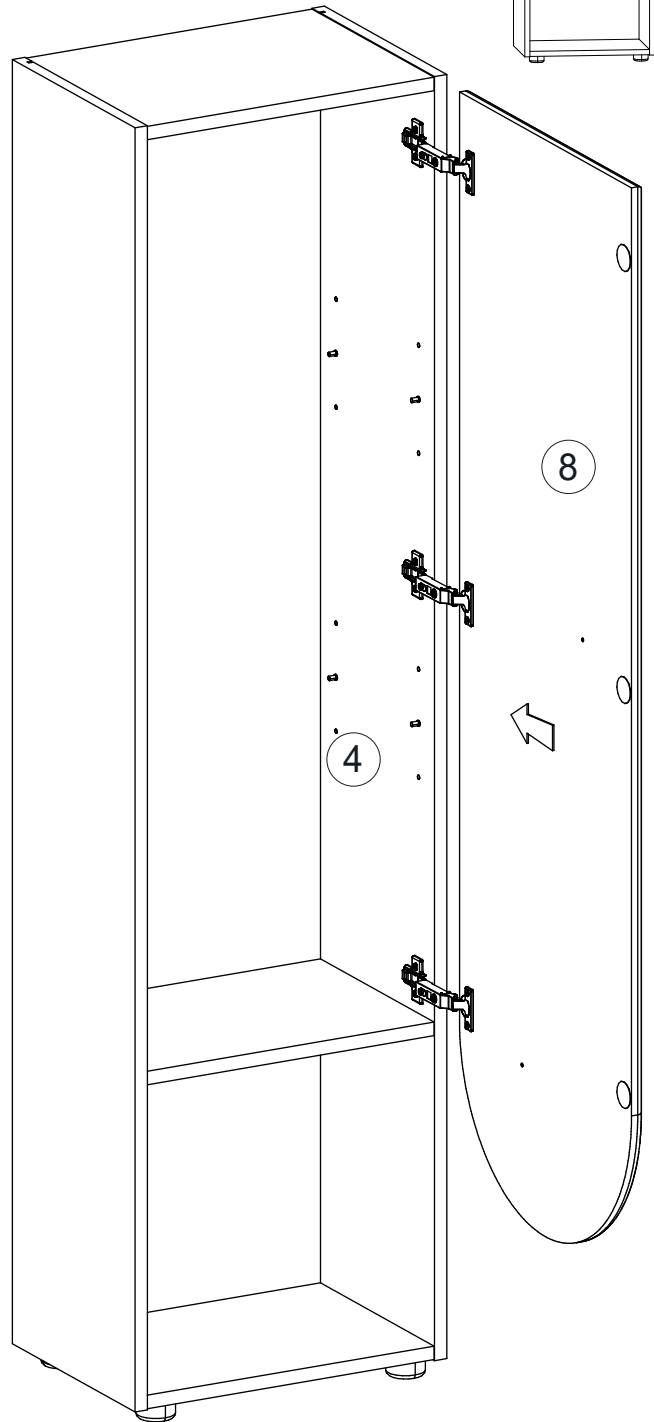
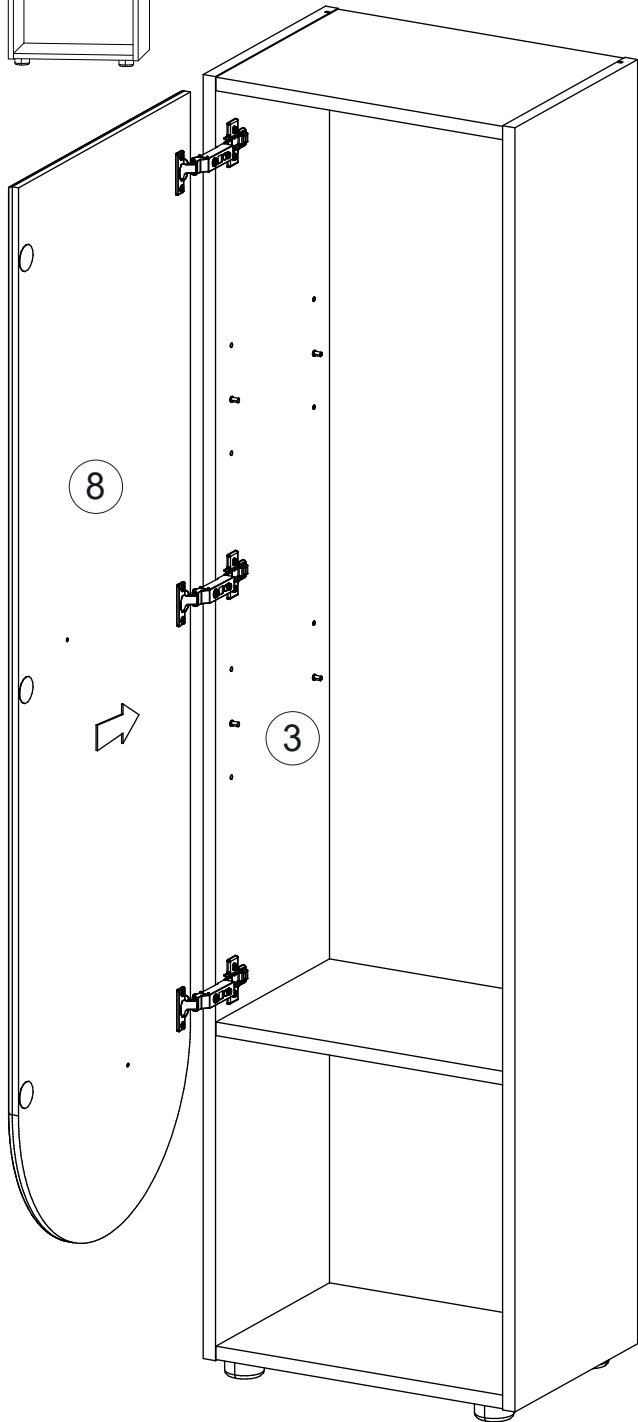
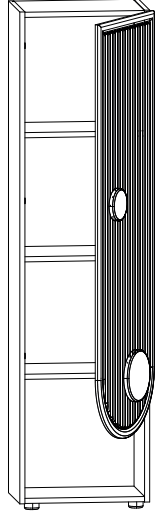
R



9 L



R



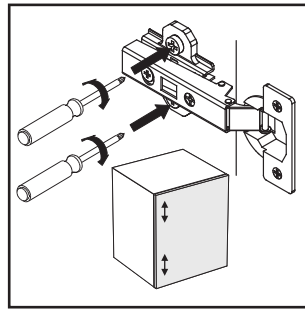
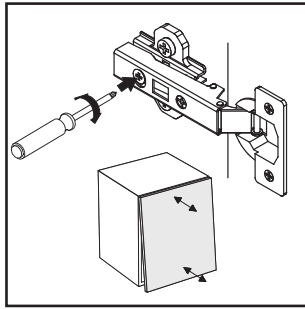
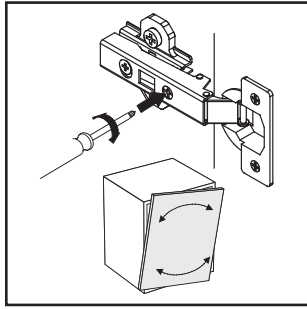
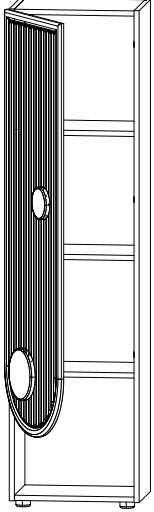
10

4,2 x 28 mm



D16 x2

L



R

