
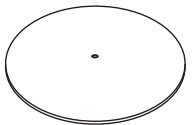
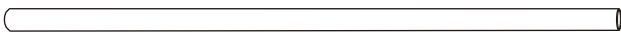







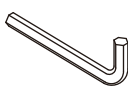


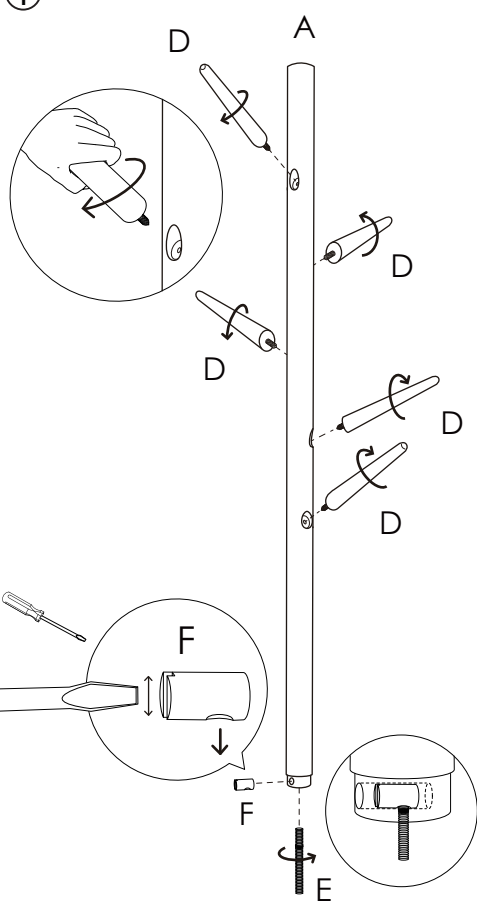
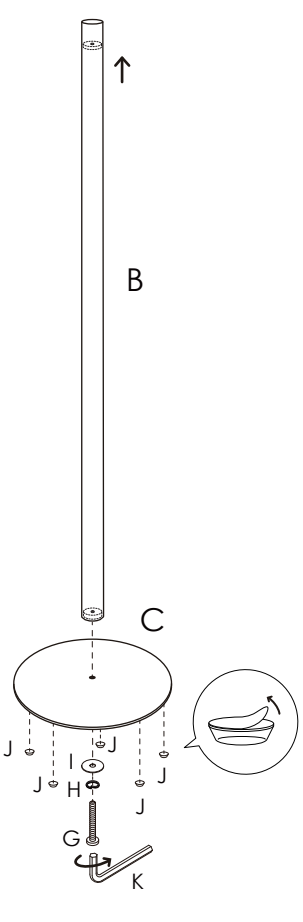
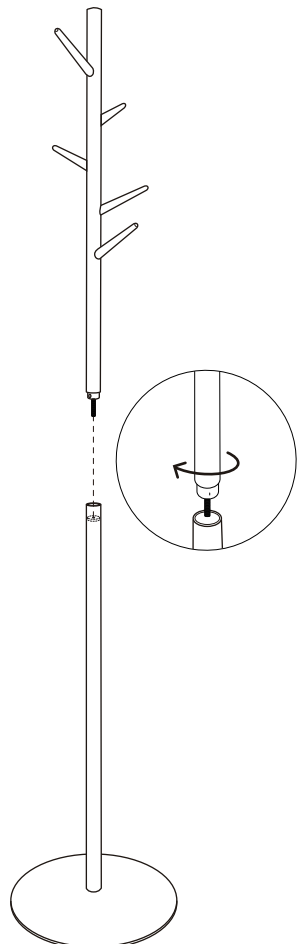







 <p>NANTO TA23019</p>	<p>A</p>  <p>x1</p>	<p>C</p>  <p>x1</p>		
	<p>B</p>  <p>x1</p>	<p>D</p>  <p>x5</p>		
	<p>E</p>  <p>8x58mm x1</p>	<p>F</p>  <p>x1</p>	<p>G</p>  <p>8x50mm x1</p>	<p>H</p>  <p>x1</p>
	<p>I</p>  <p>x1</p>	<p>J</p>  <p>x5</p>	<p>K</p>  <p>x1</p>	 <p>x1</p> 

<p>①</p> 	<p>②</p> 	<p>③</p> 
 Ex1  Fx1 	 Gx1  Hx1  Ix1  Jx5	<p>NANTO TA23019</p> <p>1/1</p>