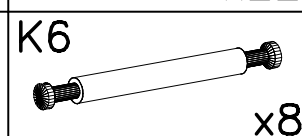
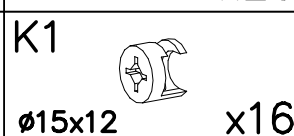
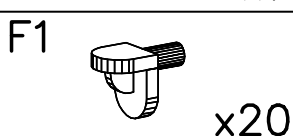
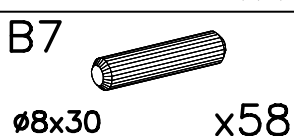
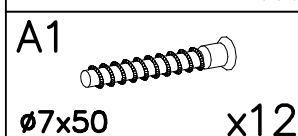
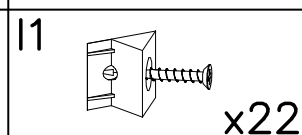
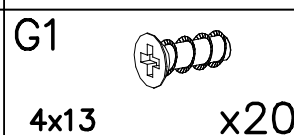
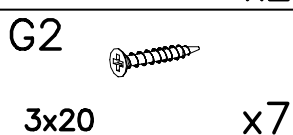
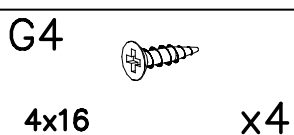
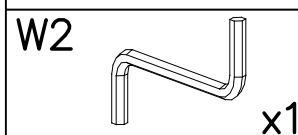
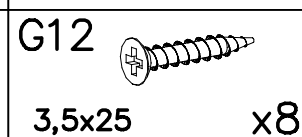
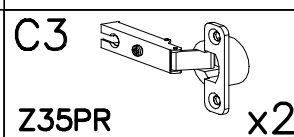
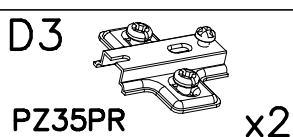
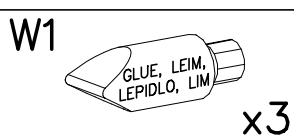
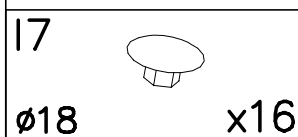
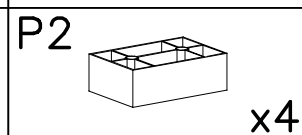
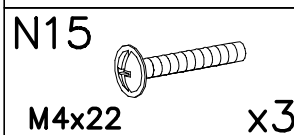
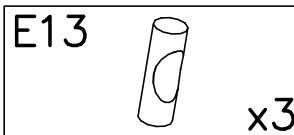
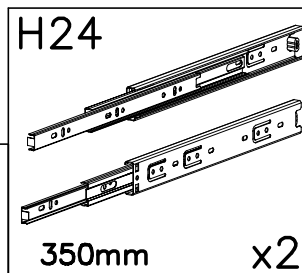
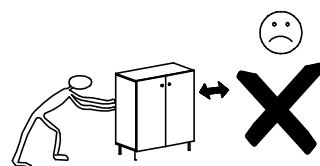
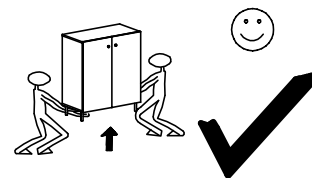
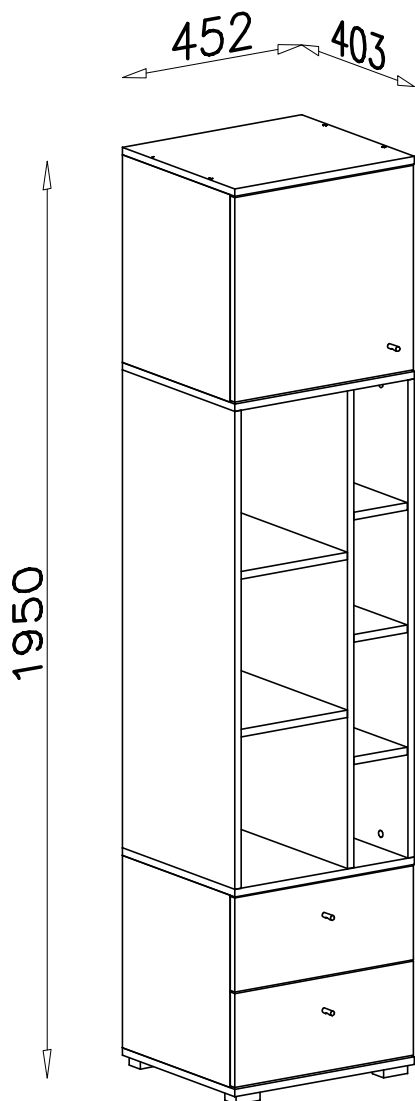
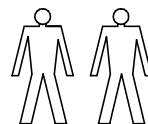
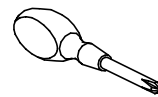
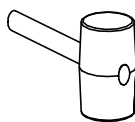
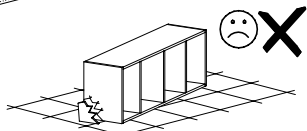
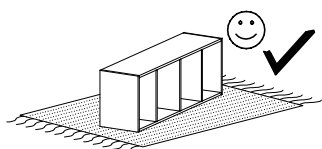
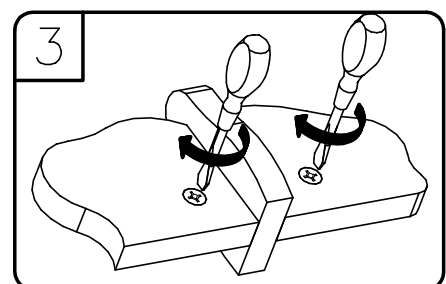
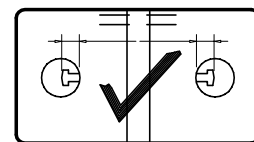
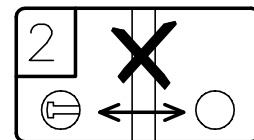
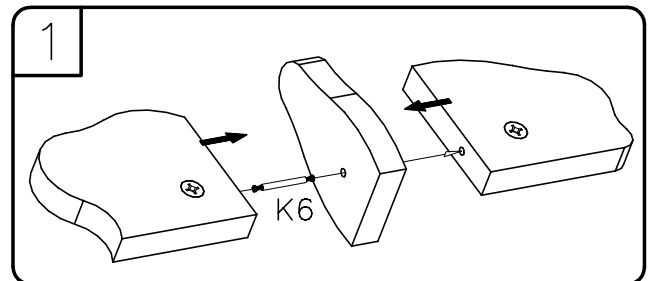
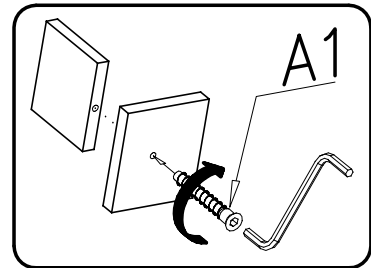
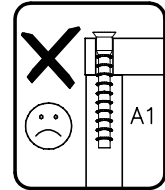
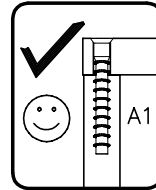
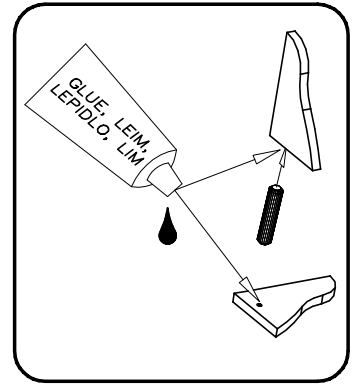
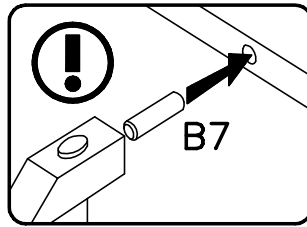
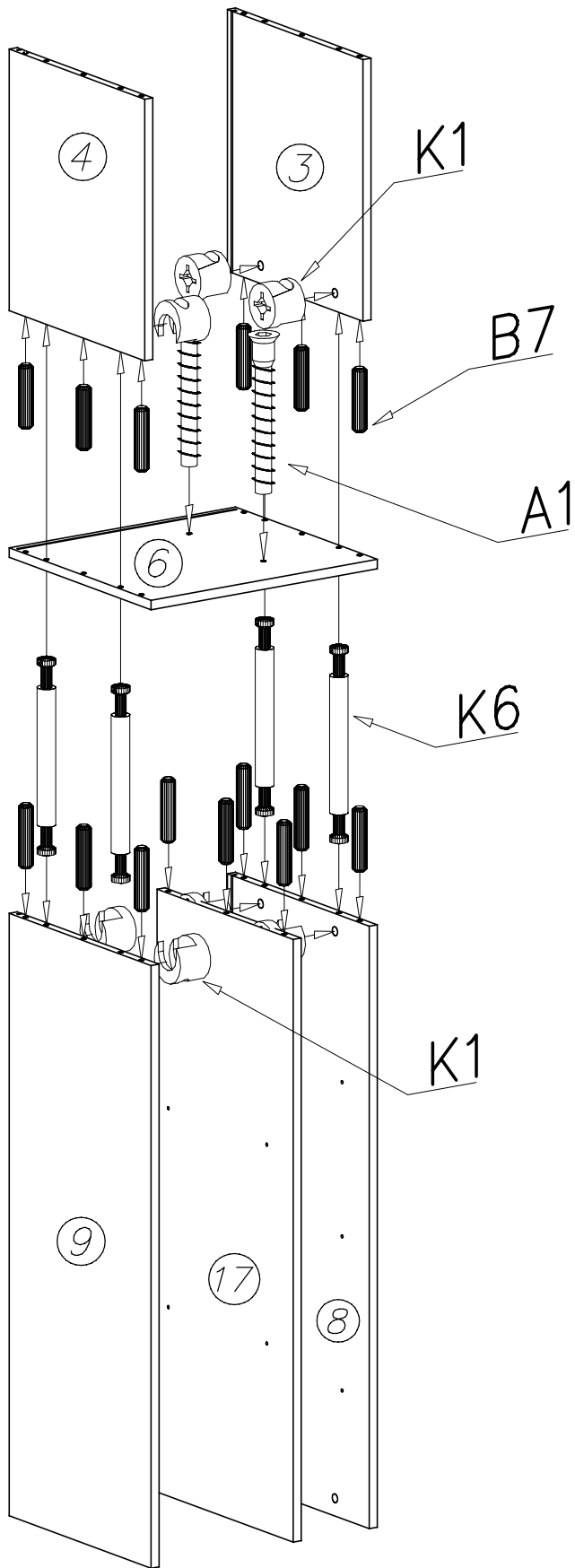


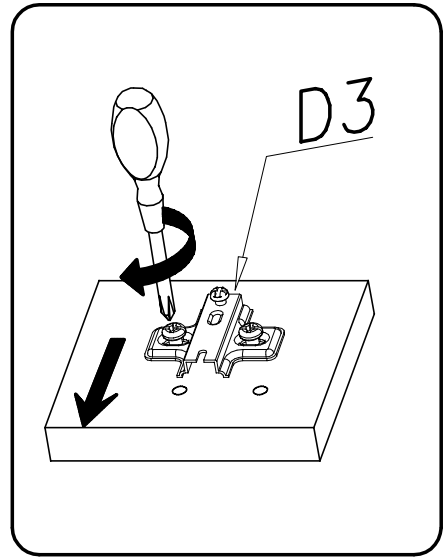
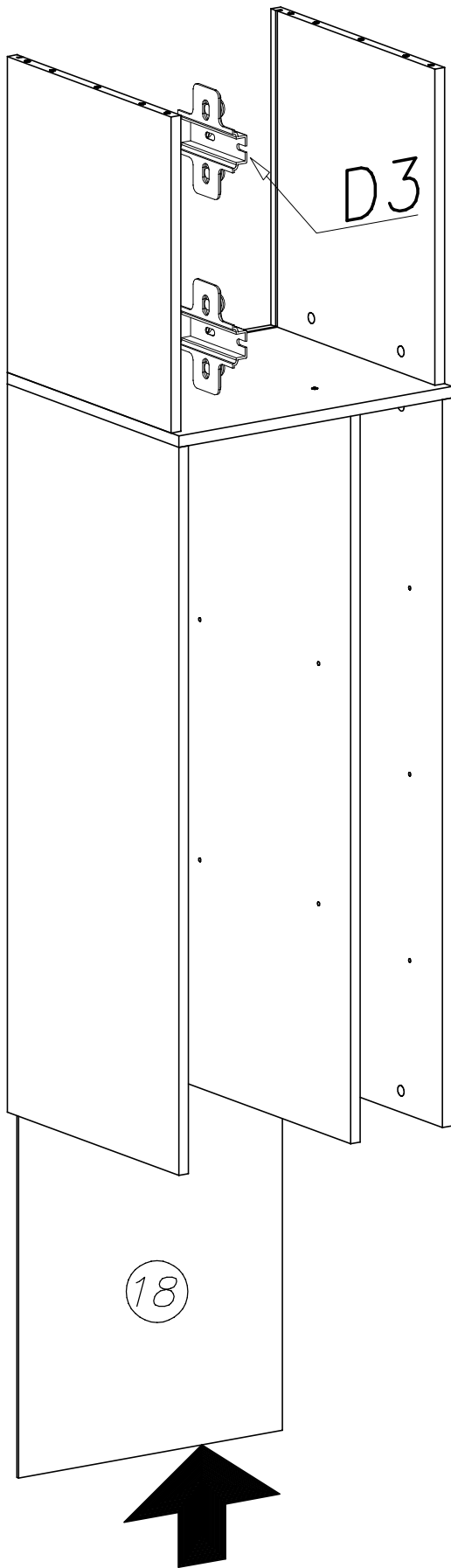
ORO OR 3



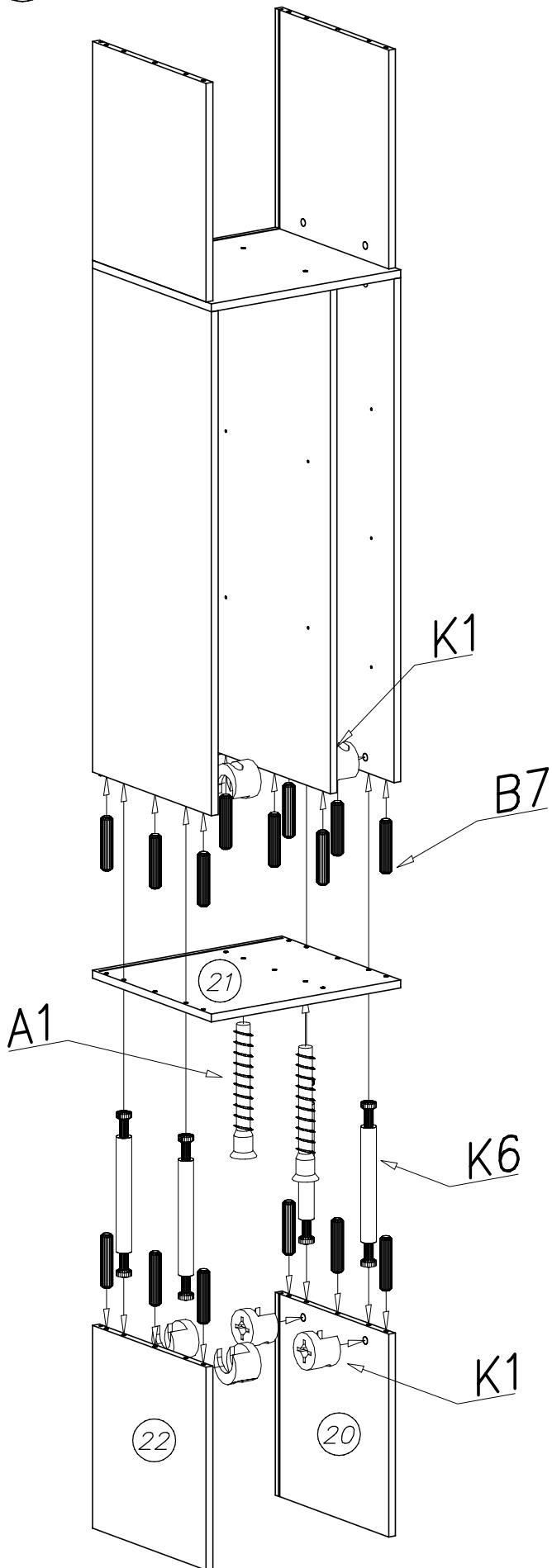
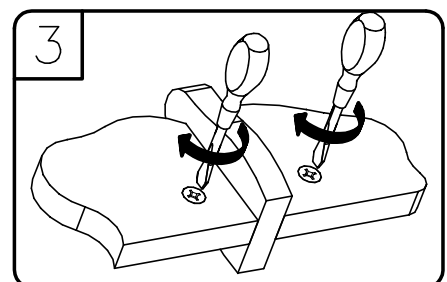
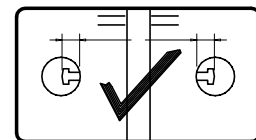
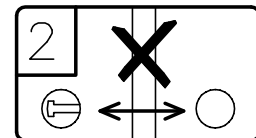
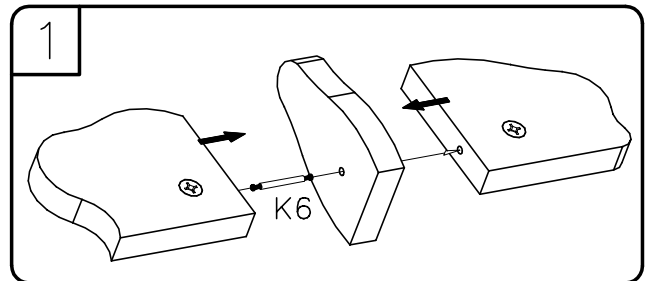
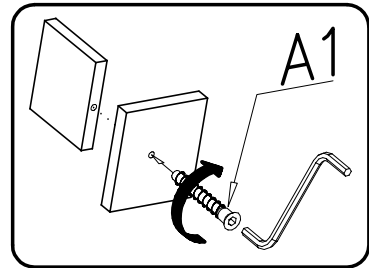
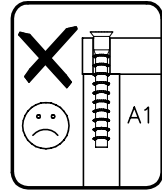
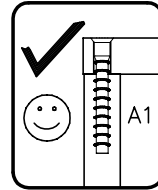
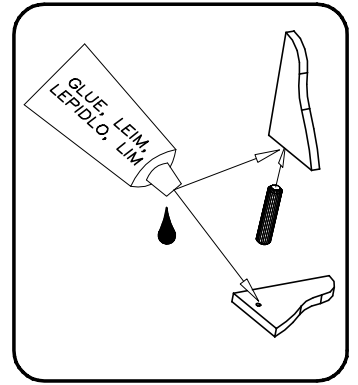
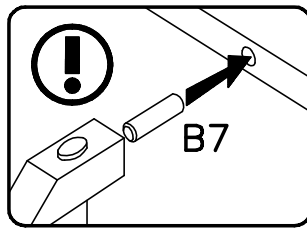
I



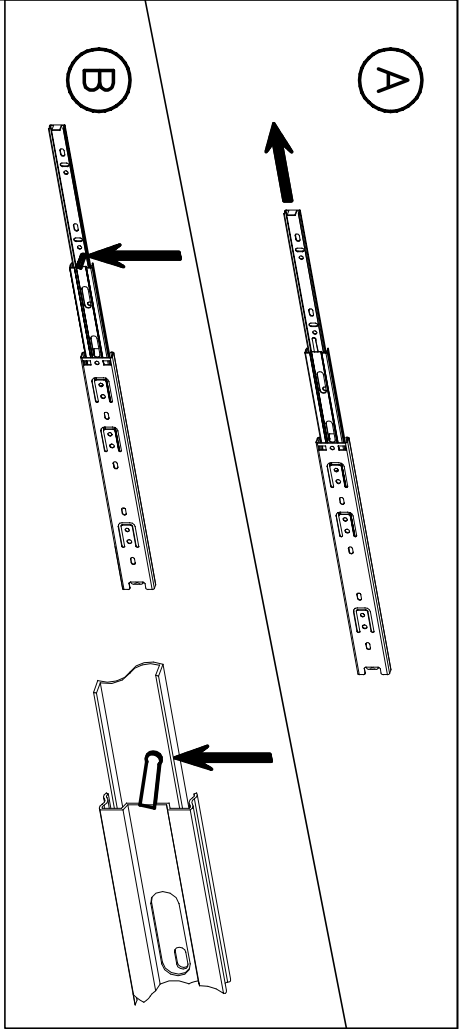
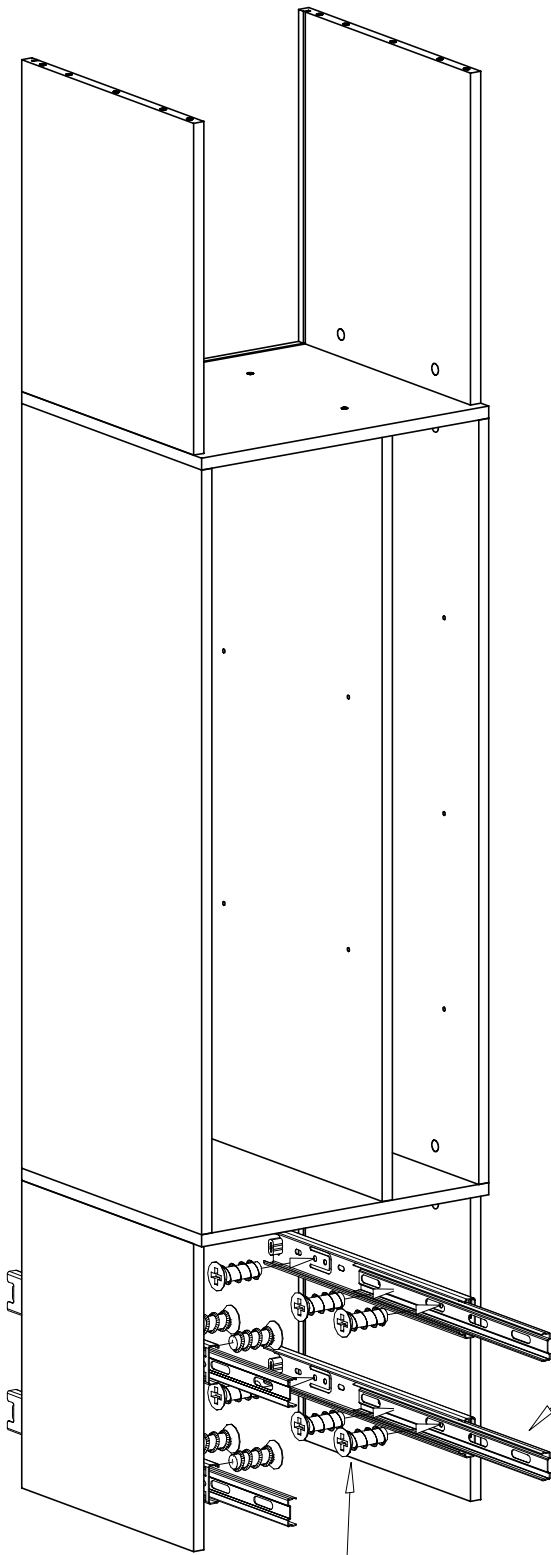
11



III

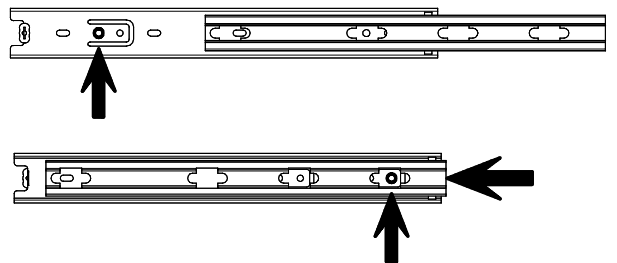
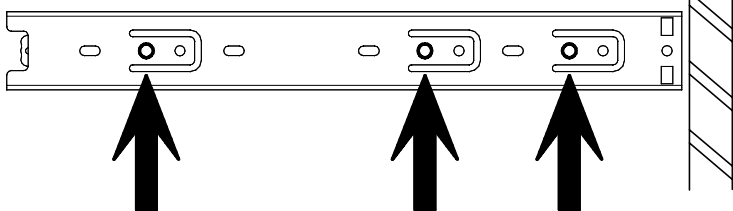


IV

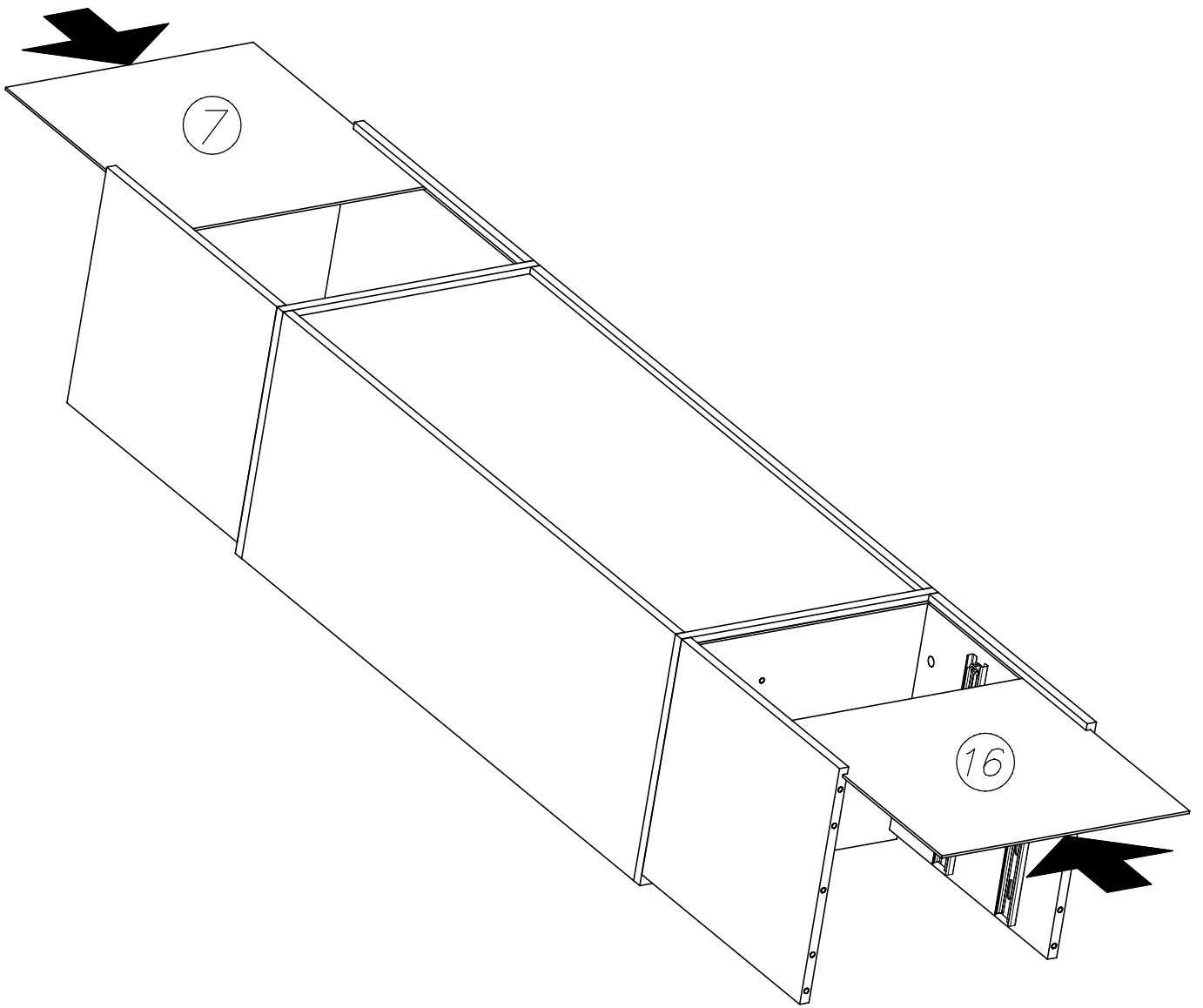


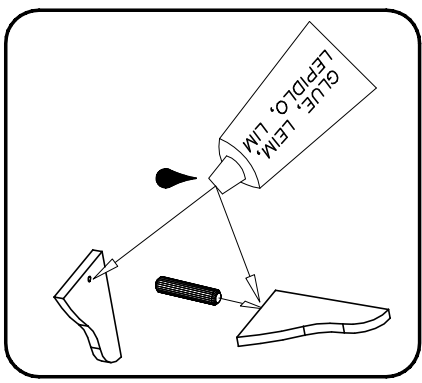
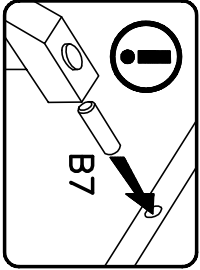
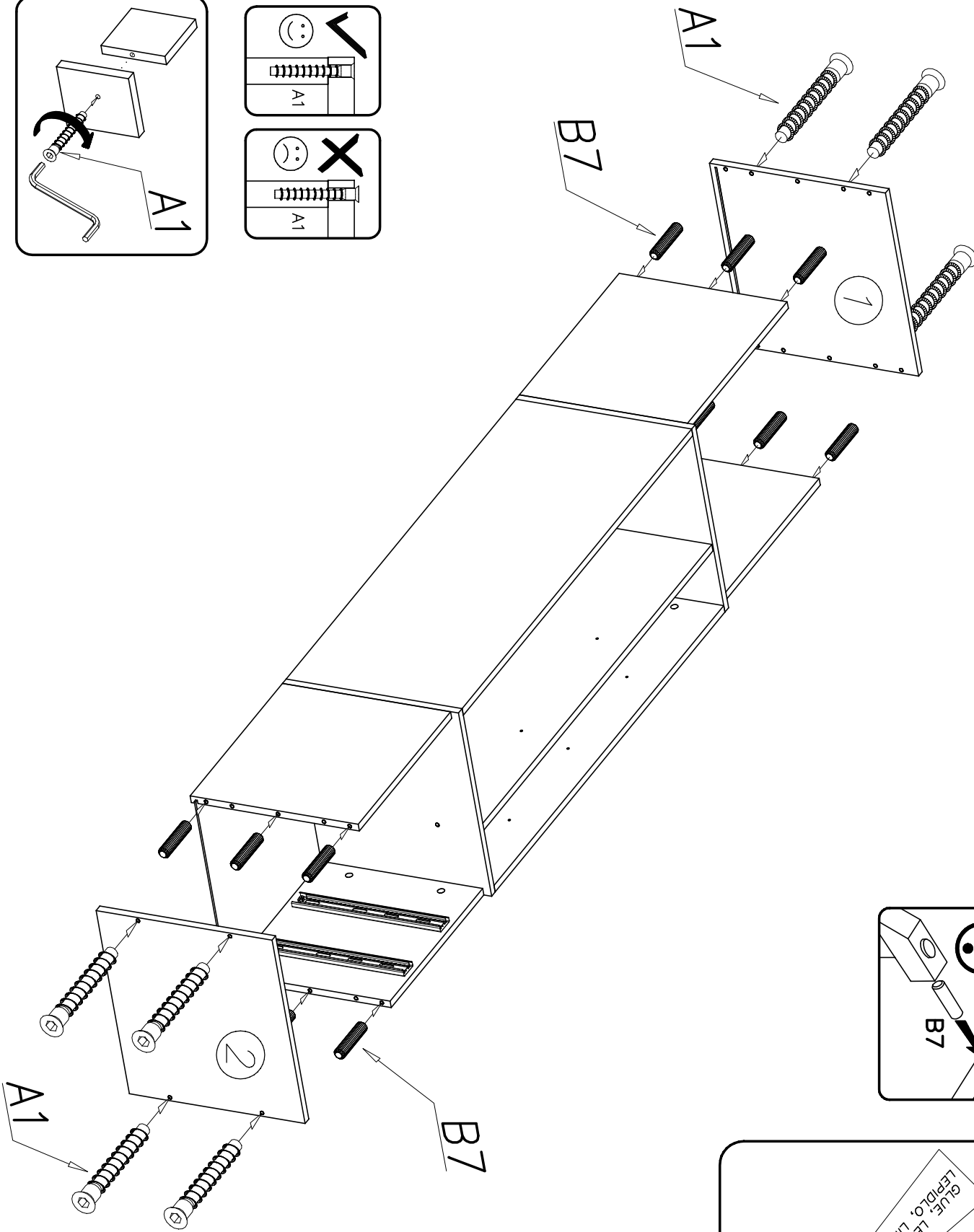
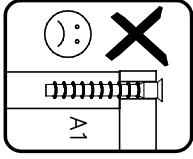
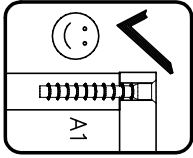
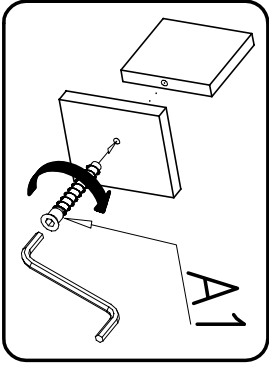
H24

G1

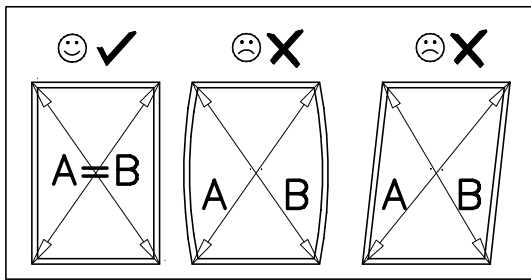


V

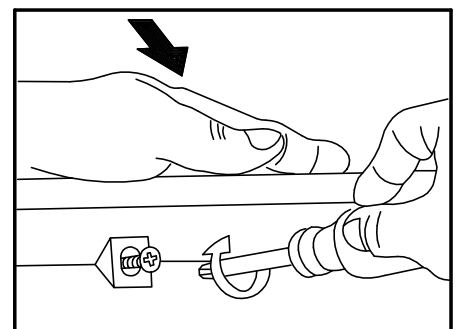
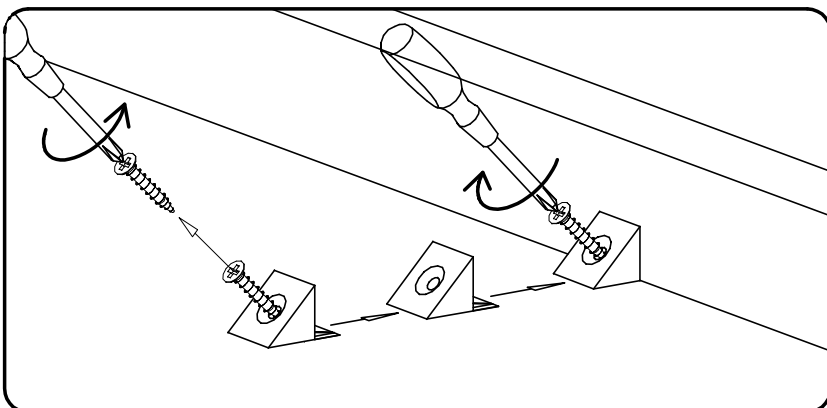
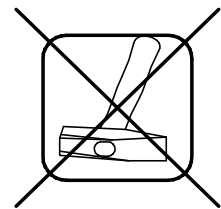
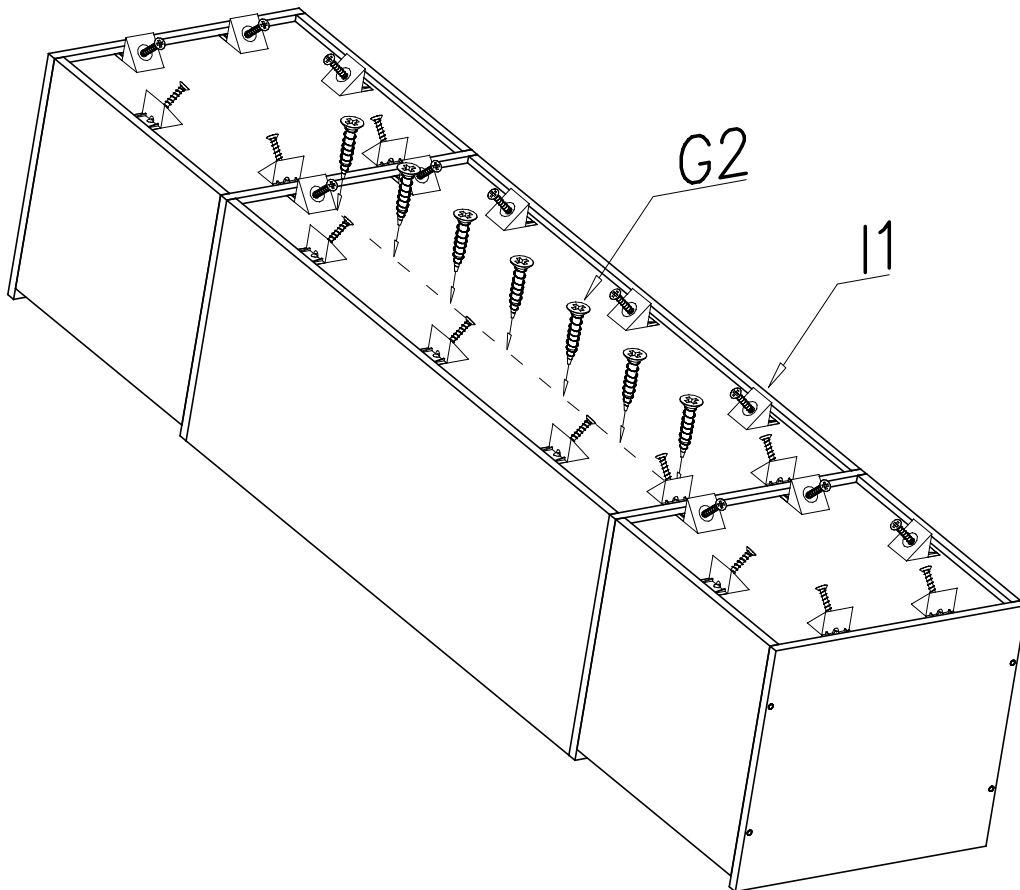
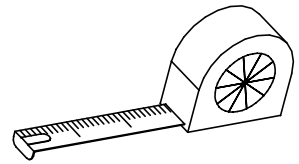




VII

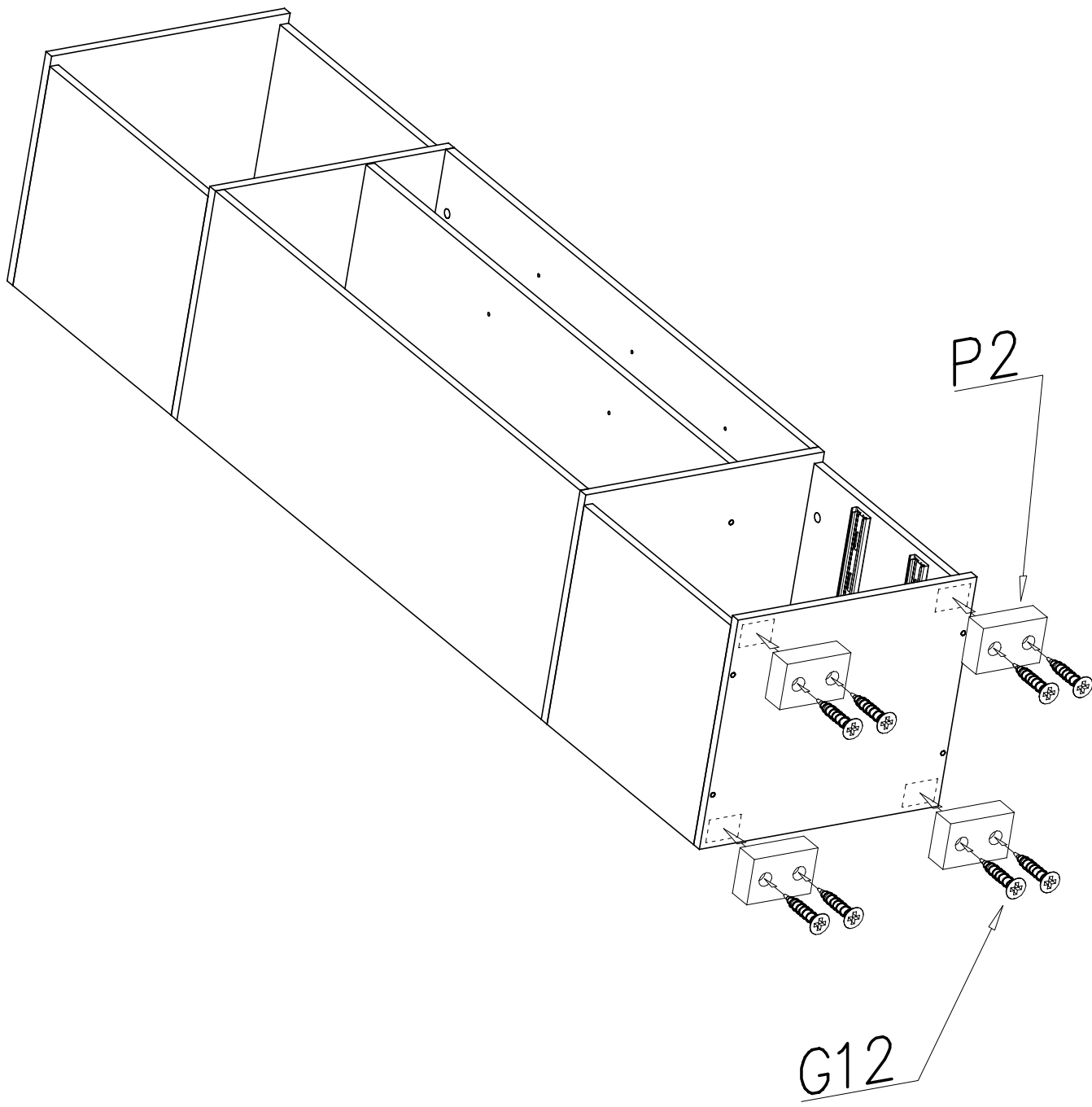


A=B

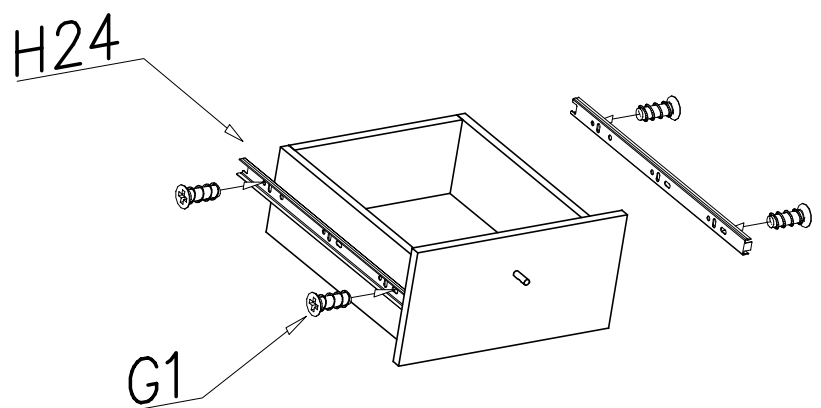
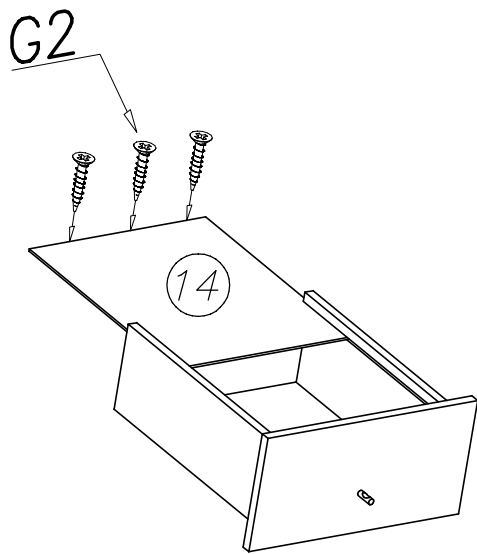
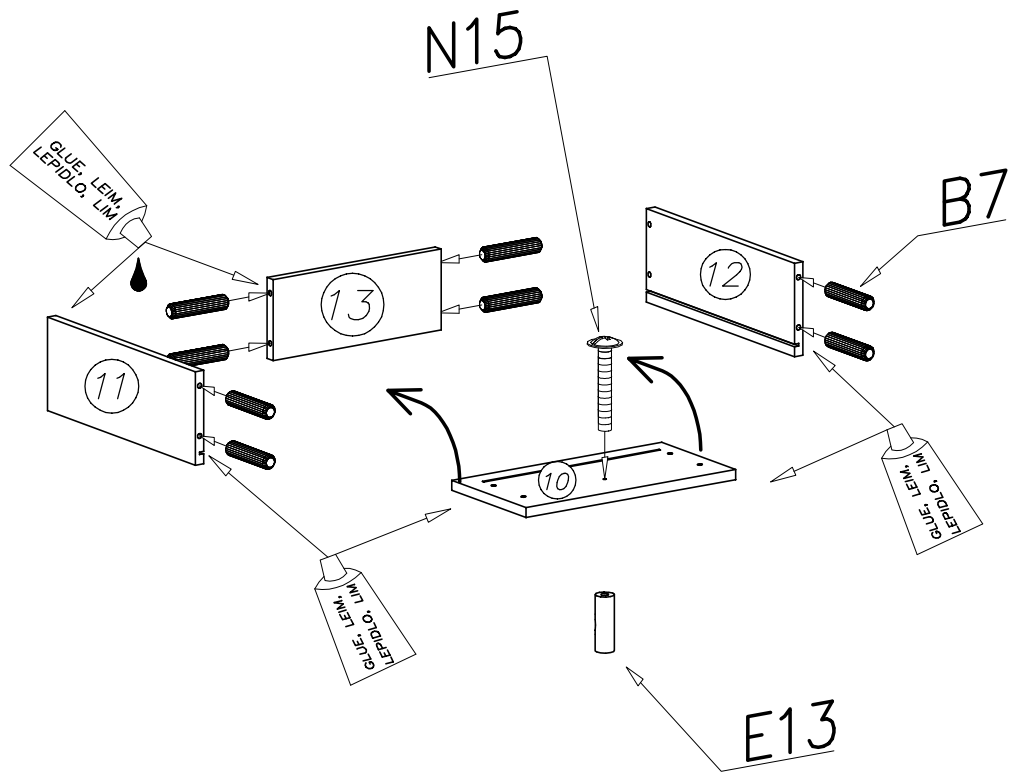




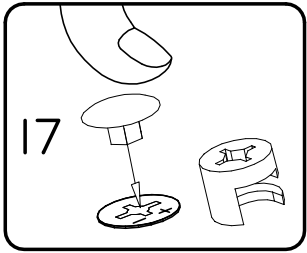
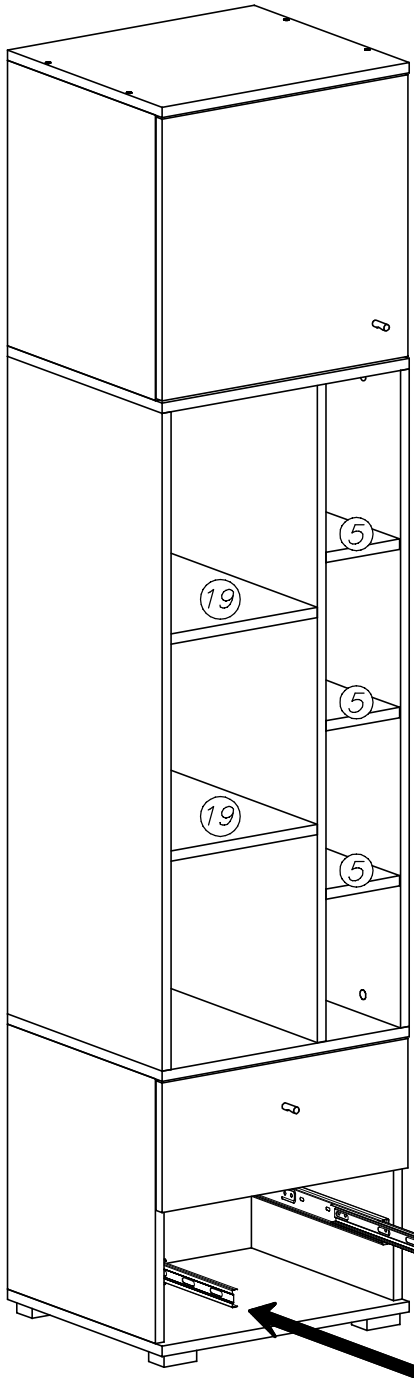
VIII



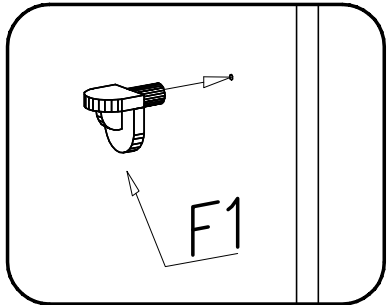
IX



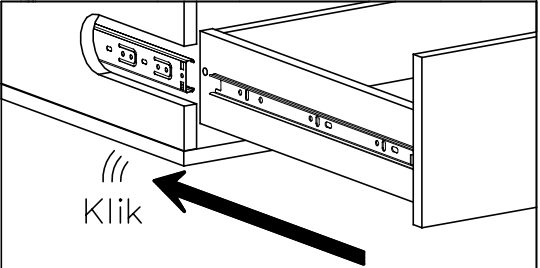
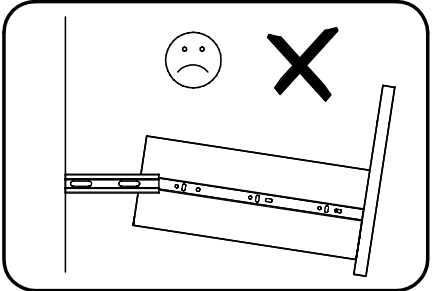
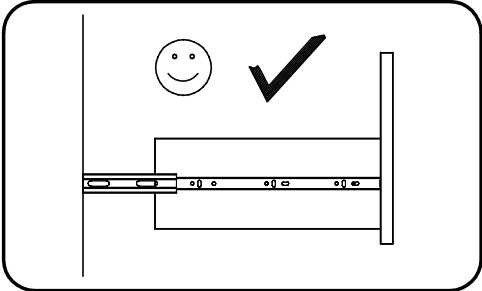
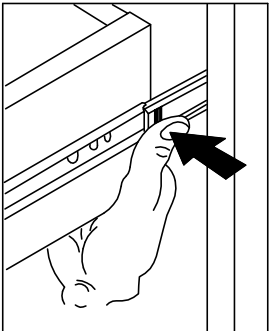
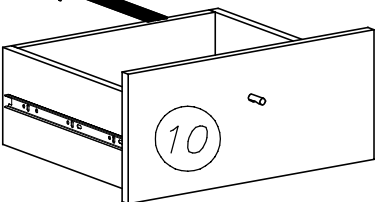
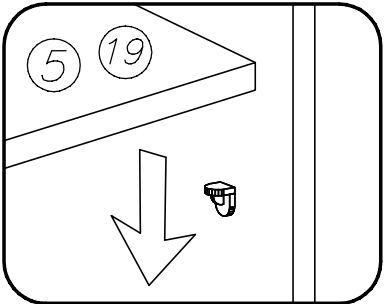
(X)



1



2



XI

