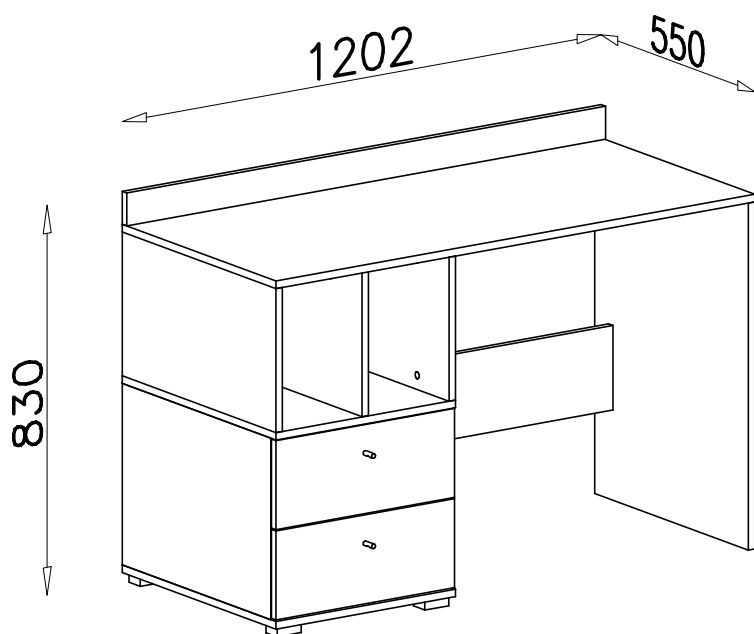
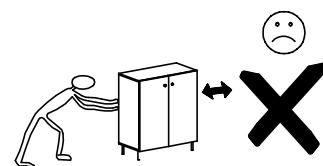
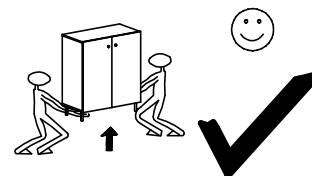
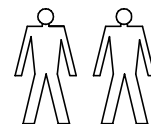
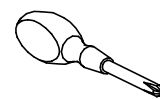
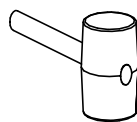
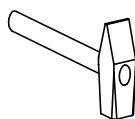
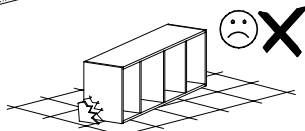
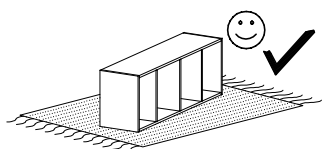

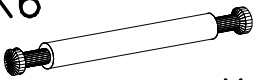

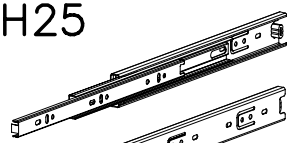


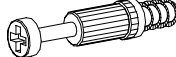
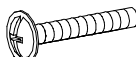
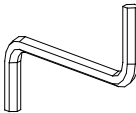
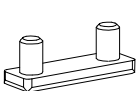
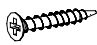

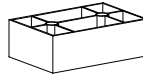



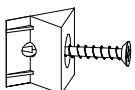

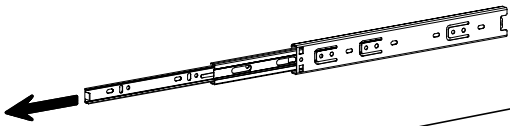


ORO OR 5

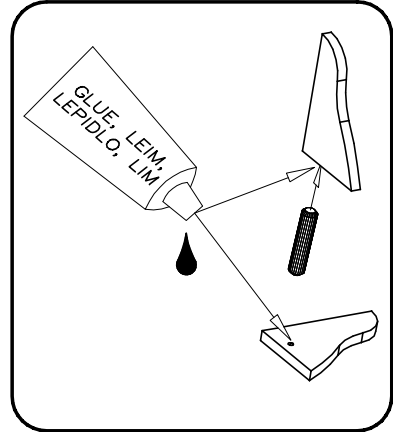
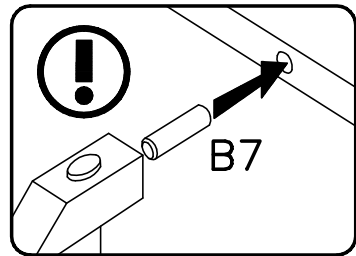
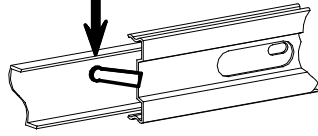
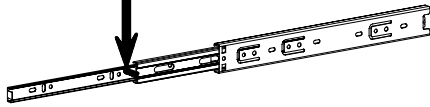


	B2  $\varnothing 6 \times 30$ x4	K6  x4	E13  x2	H25  400mm x2
I7 $\varnothing 18$ x22 	W1  x3	K5  x14	N15 $M4 \times 22$ x2 	
W2  x1	P3  x2	G2 3×20 x9 	G1 4×13 x20 	P2  x4
A1 $\varnothing 7 \times 50$ x6 	B7 $\varnothing 8 \times 30$ x53 	K1 $\varnothing 15 \times 12$ x22 	I1  x12	G12 $3,5 \times 25$ x8 

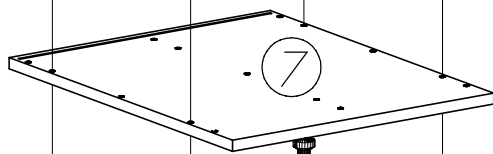
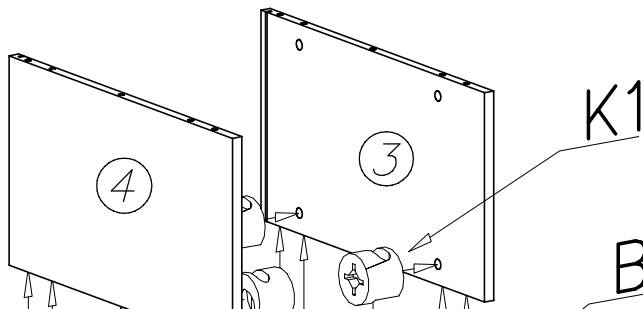
A



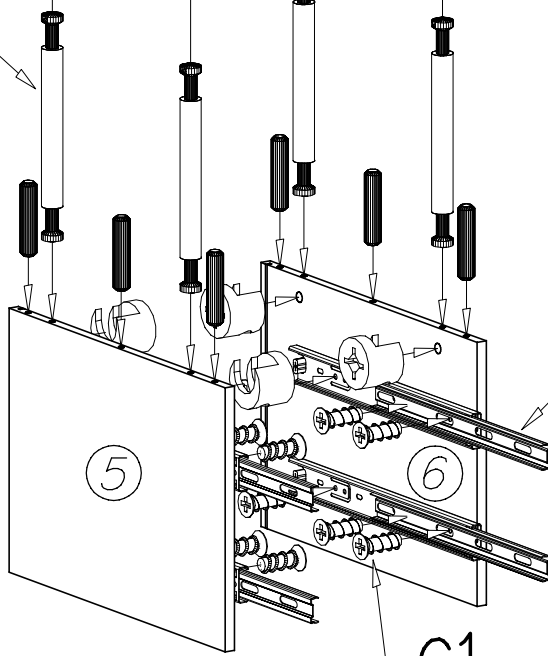
B



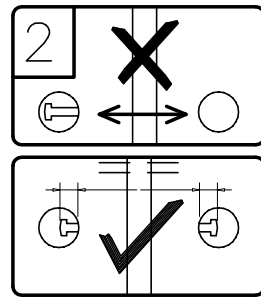
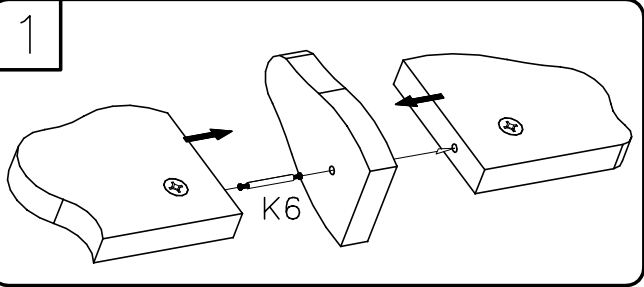
I



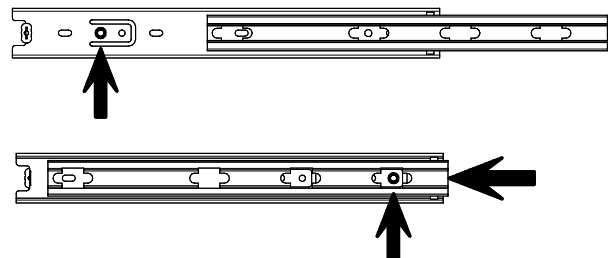
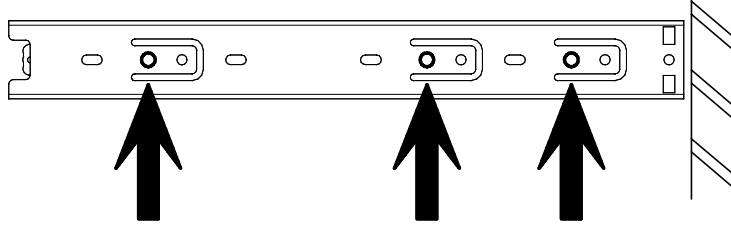
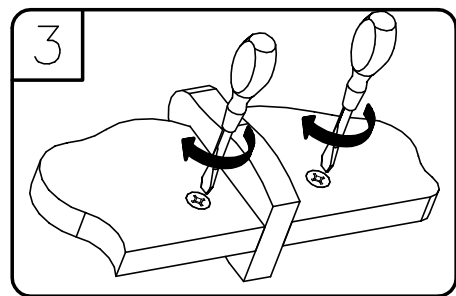
K6

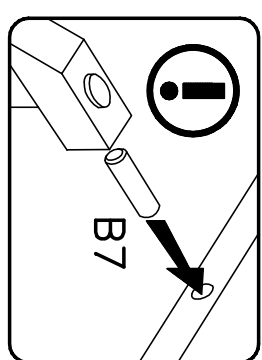
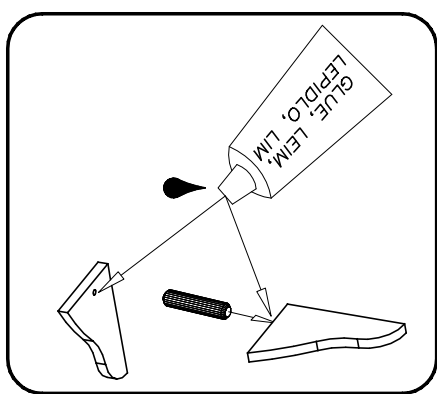
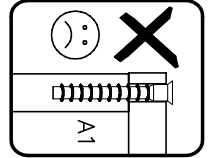
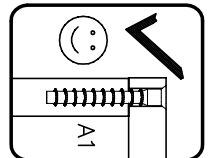
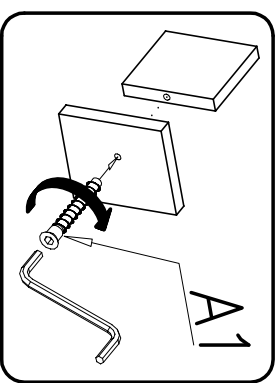
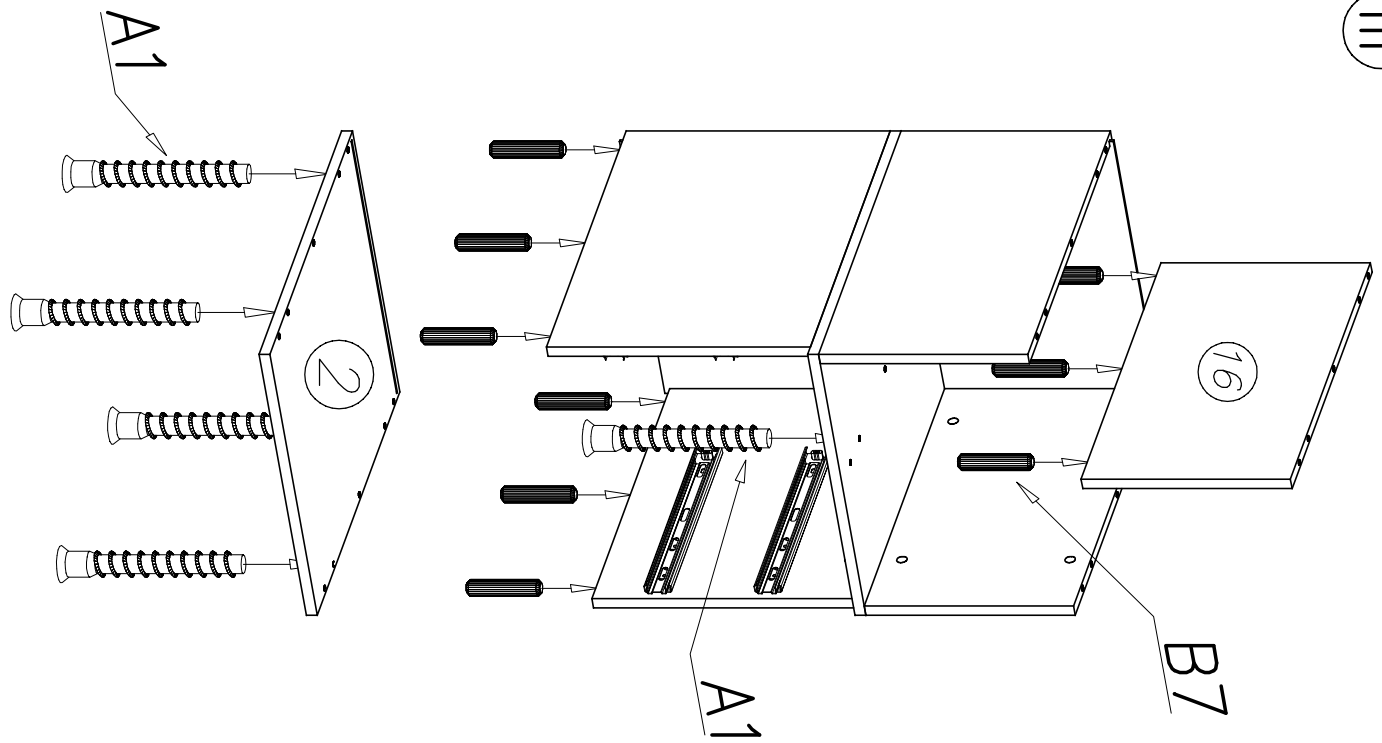
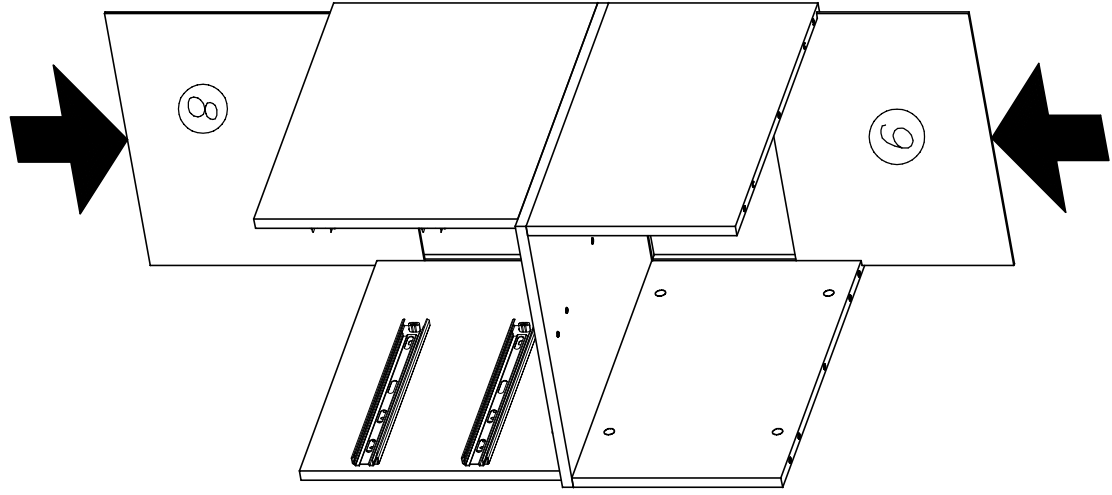


G1

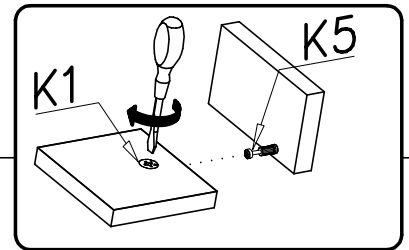
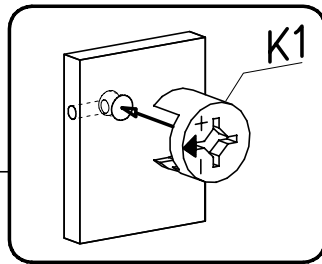
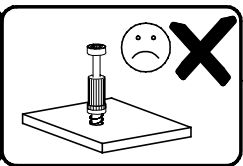
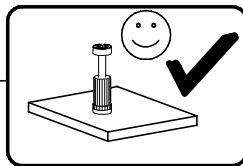
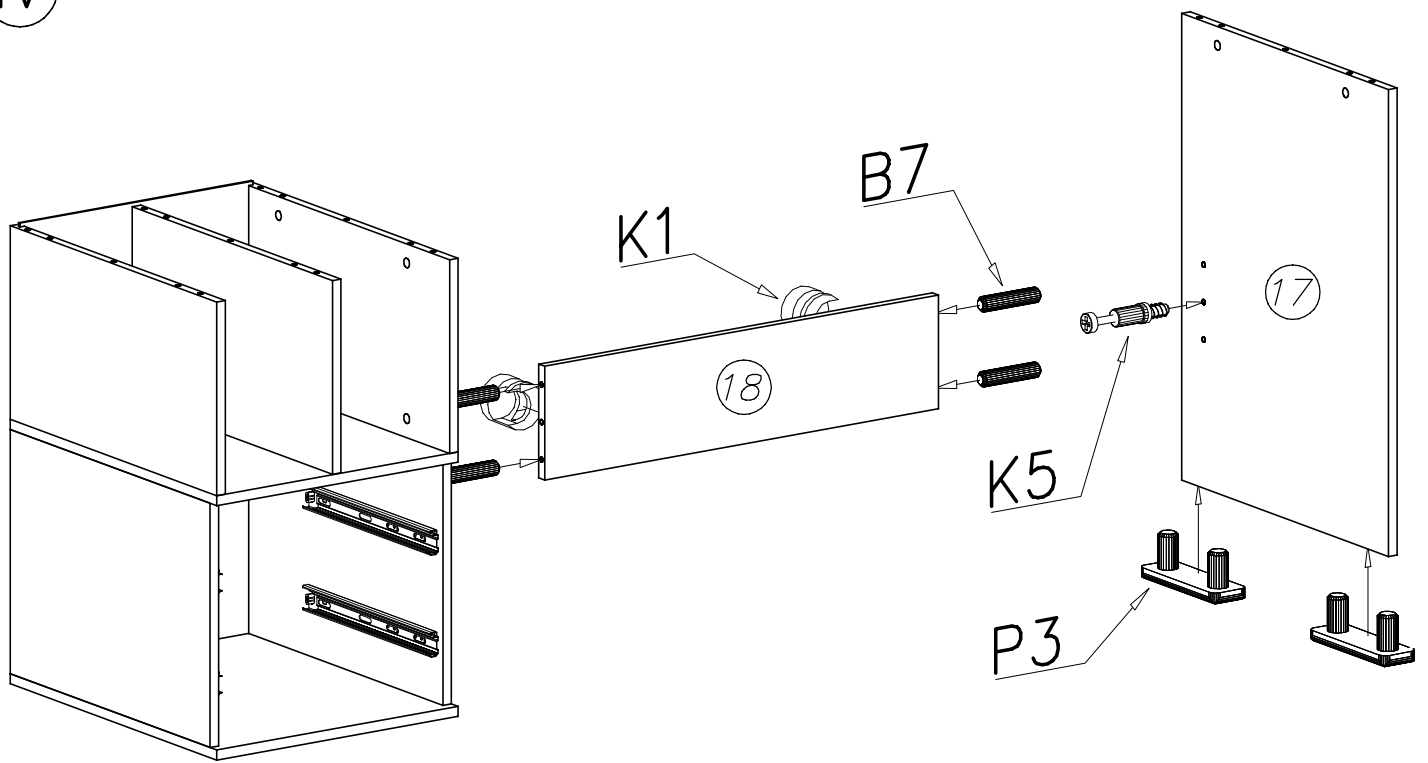


H25

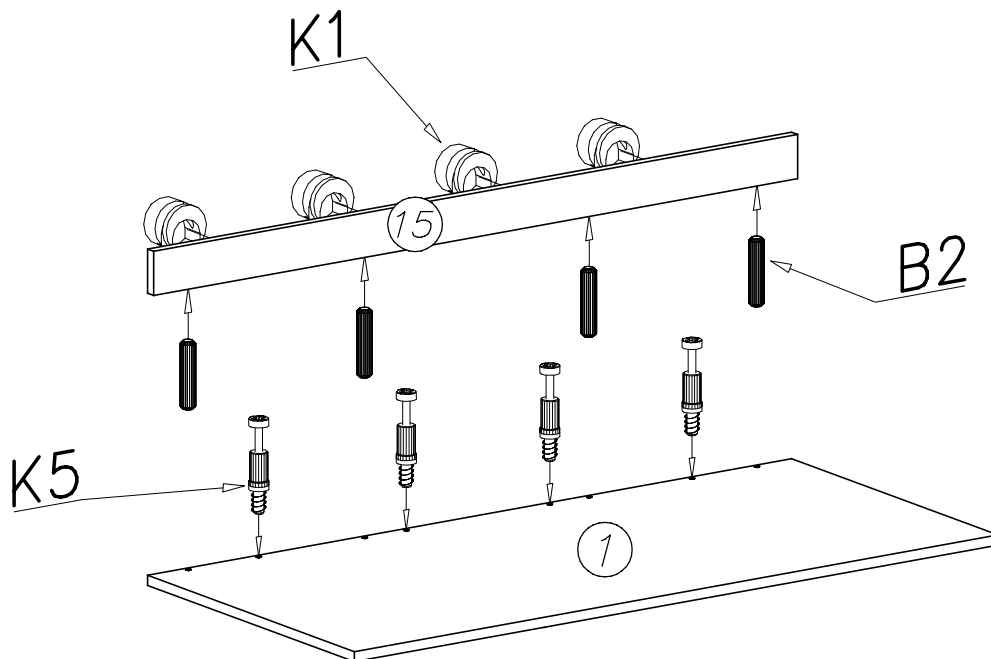




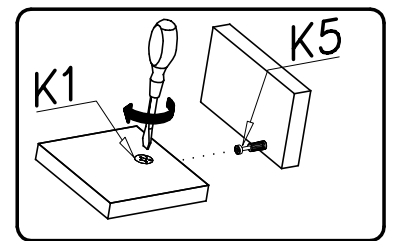
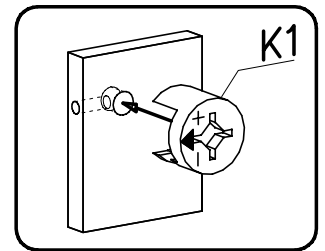
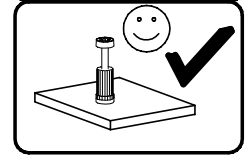
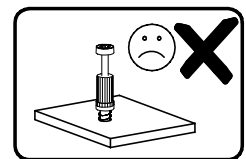
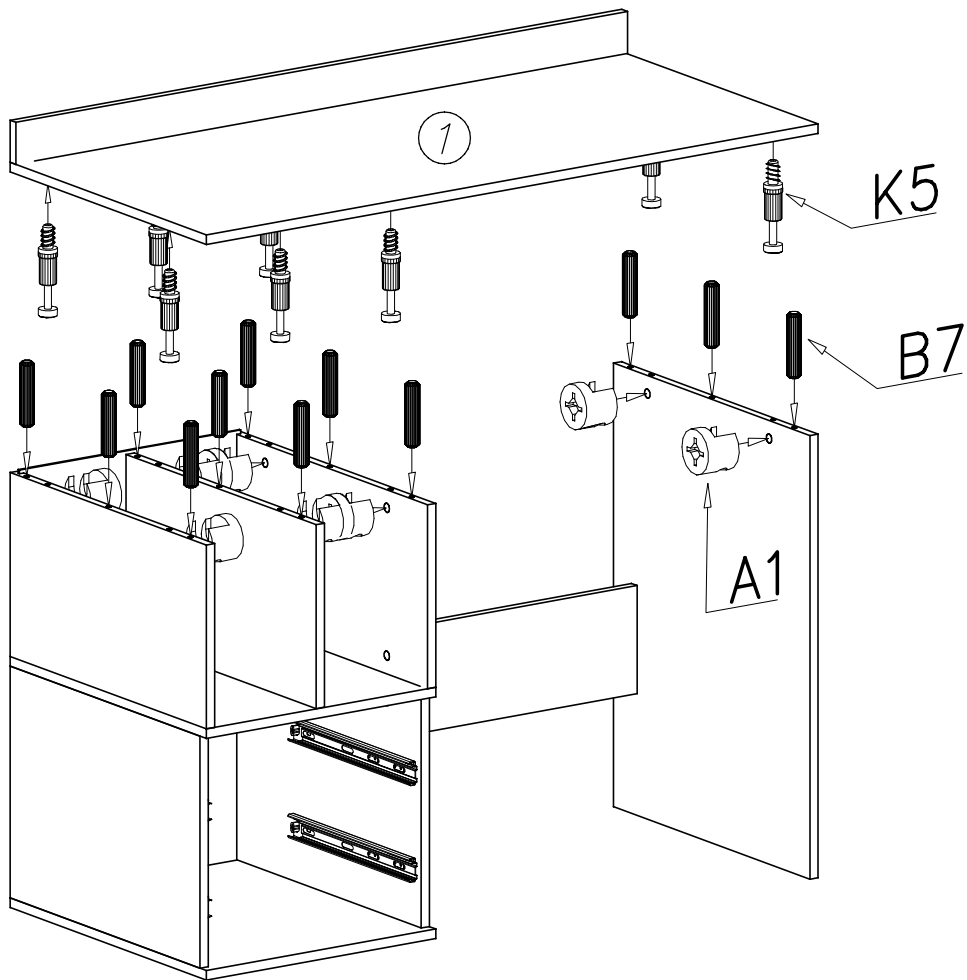
IV



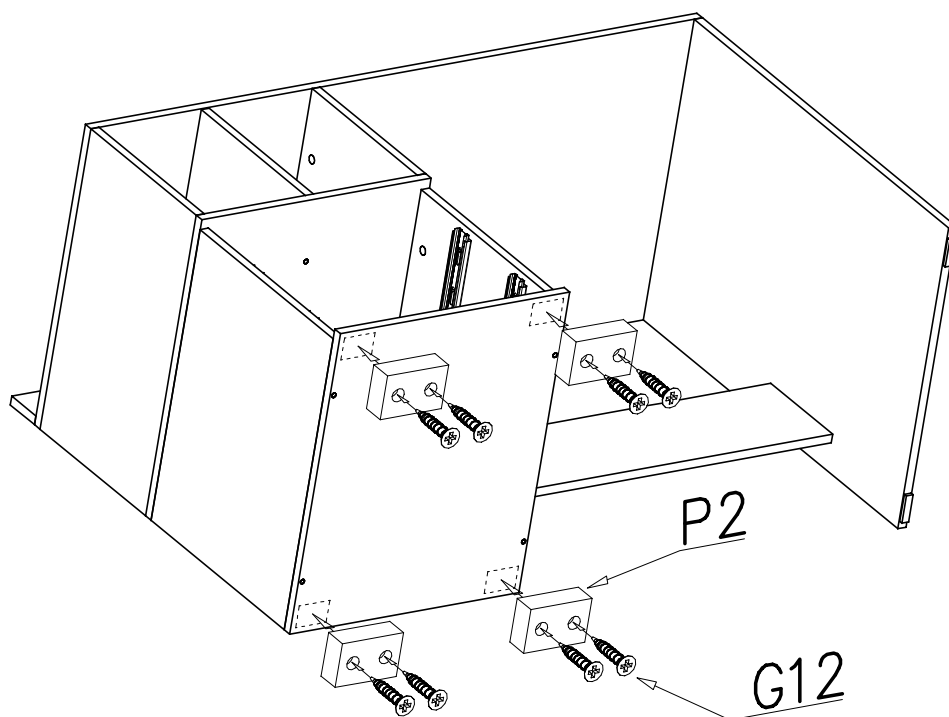
V



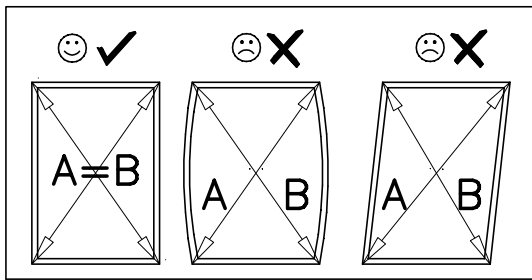
VI



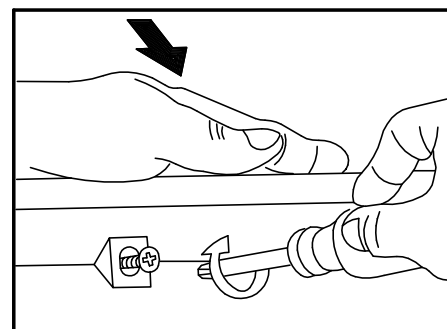
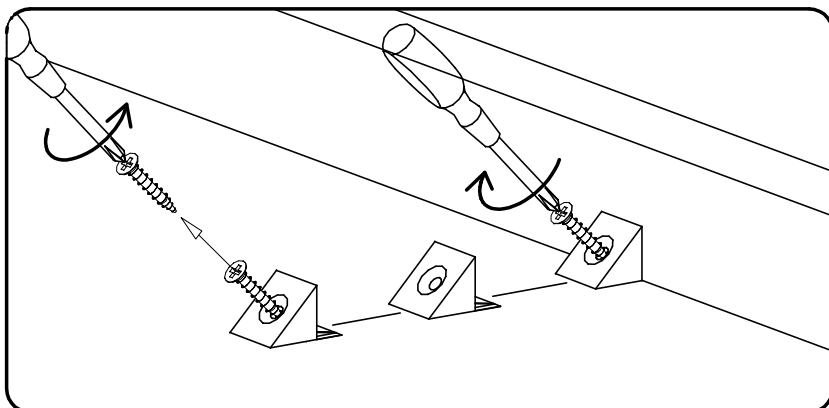
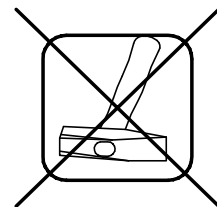
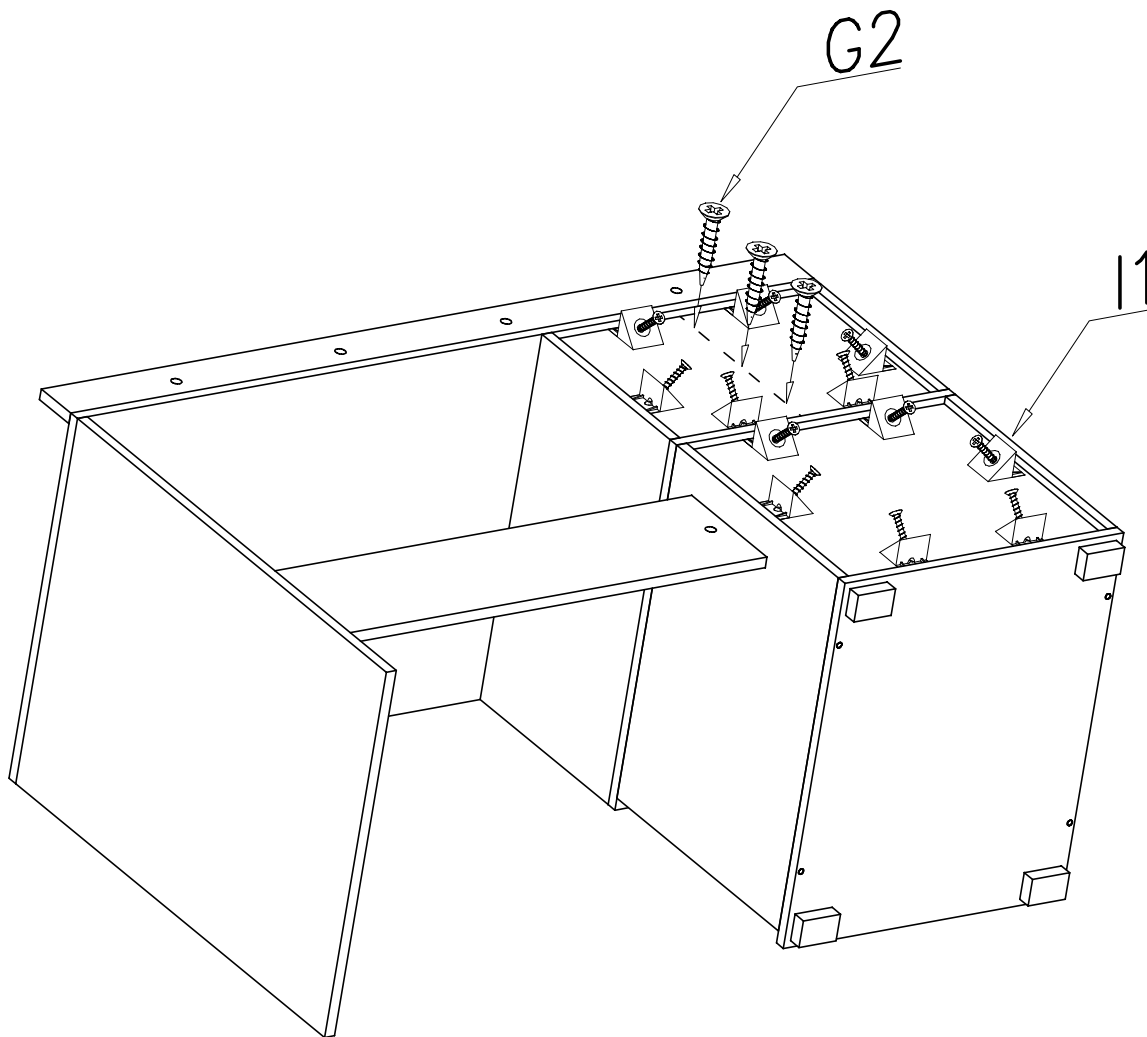
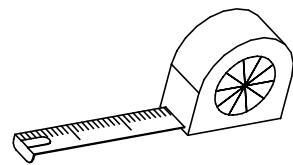
VII



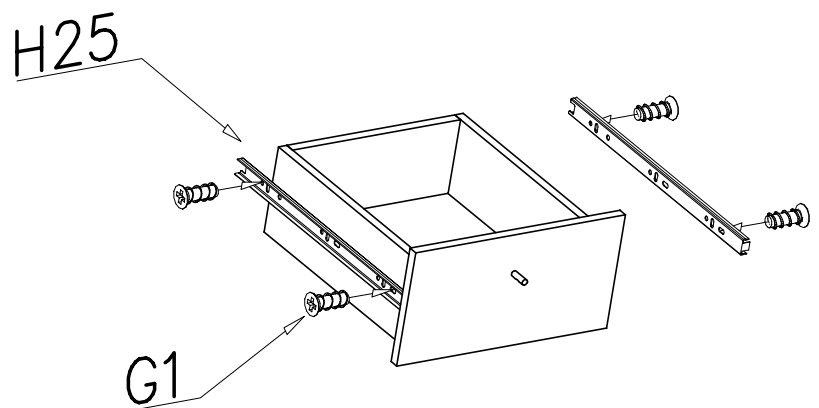
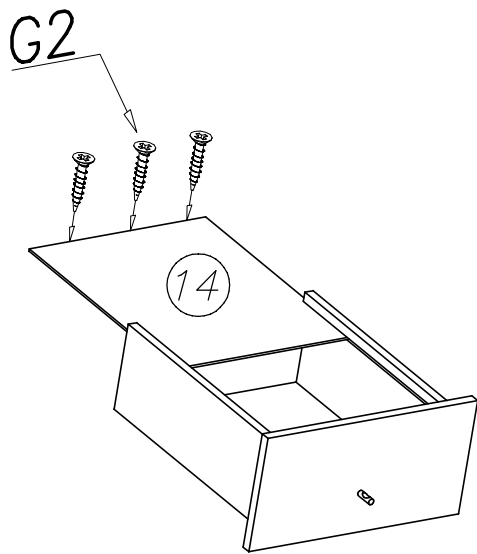
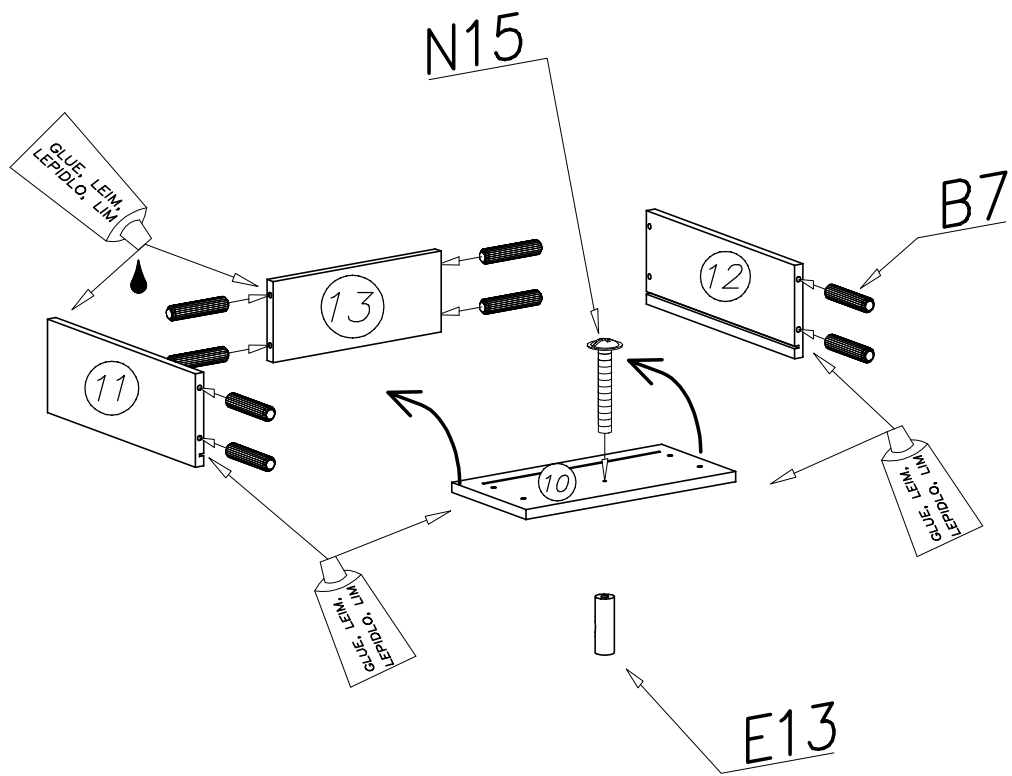
VIII



A=B



IX



X

