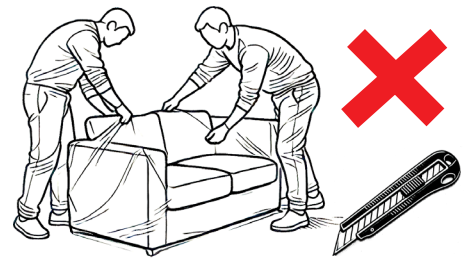
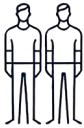
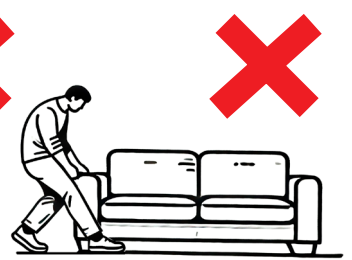
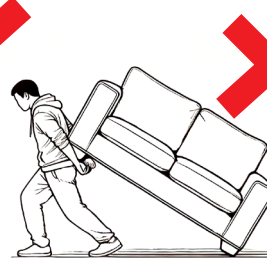
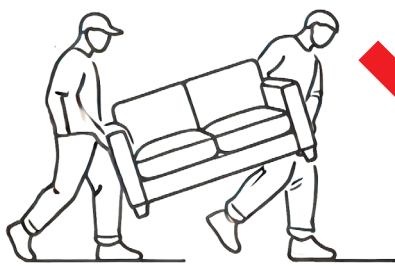
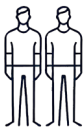




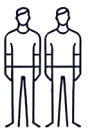
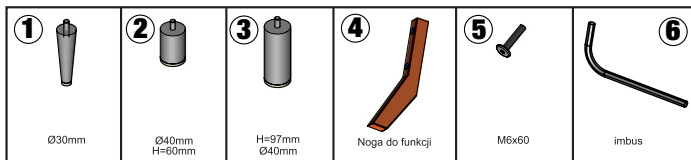
1

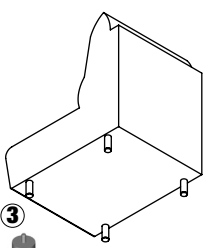
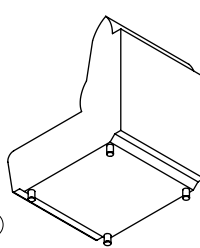
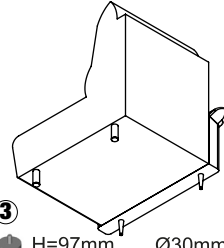
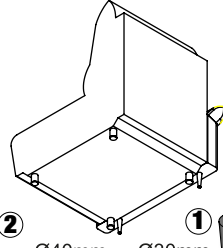
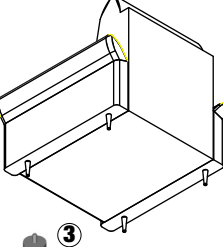
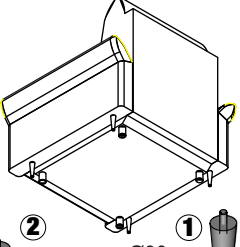
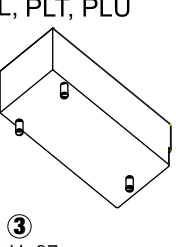
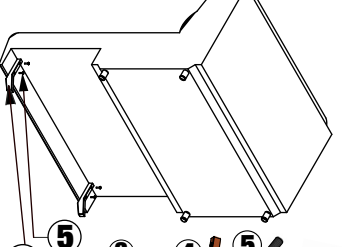


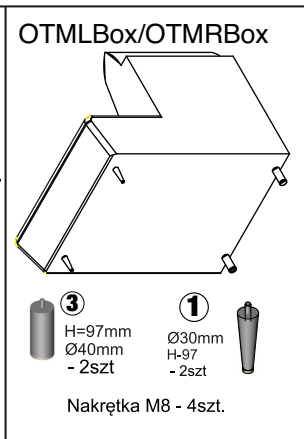
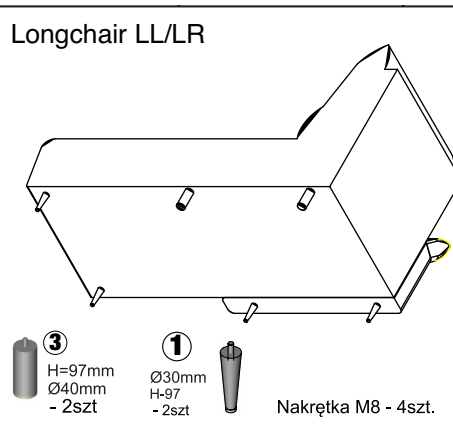
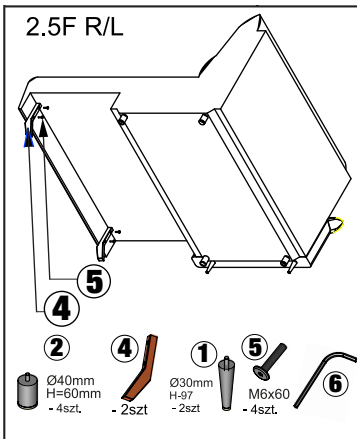
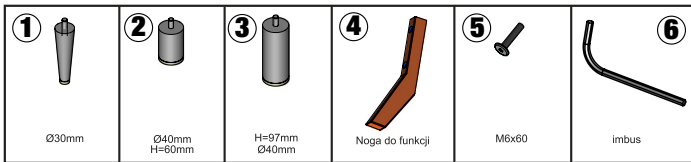
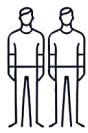
2



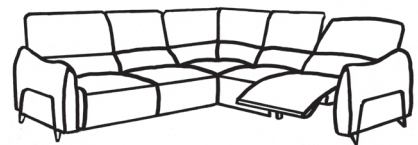
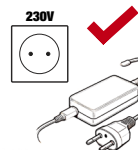
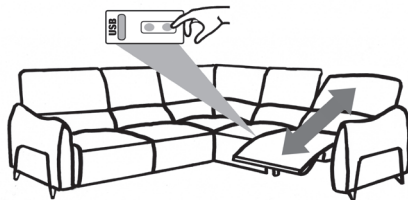
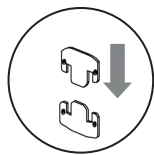
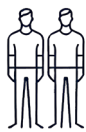
3



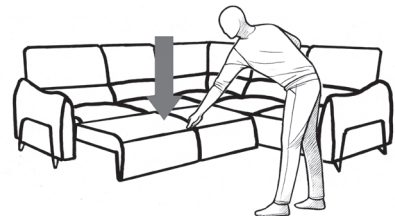
<p>1BB, 1.5BB, 2.5BB</p>  <p>3 H=97mm Ø40mm - 4szt.</p>	<p>1EL BB, 1.5EL BB</p>  <p>2 Ø40mm H=60mm - 4szt.</p>	<p>1R/L, 1.5R/L, 2.5R/L</p>  <p>3 H=97mm Ø40mm - 2szt.</p> <p>1 Ø30mm H=97 - 2szt.</p>	<p>1EL R/L, 1.5EL R/L</p>  <p>2 Ø40mm H=60mm - 4szt.</p> <p>1 Ø30mm H=97 - 2szt.</p>
<p>1, 1.5, 2.5</p>  <p>3 H=97mm Ø40mm - 4szt.</p>	<p>1EL, 1.5EL</p>  <p>2 Ø40mm H=60mm - 4szt.</p> <p>1 Ø30mm H=97 - 4szt.</p>	<p>BK, BKT, BKU, PL, PLT, PLU</p>  <p>3 H=97mm Ø40mm - 3szt.</p>	<p>2.5F BB</p>  <p>2 Ø40mm H=60mm - 4szt.</p> <p>4 Noga do funkcji - 2szt.</p> <p>5 M6x60 - 4szt.</p> <p>6 imbus</p>



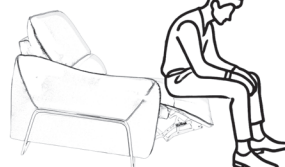
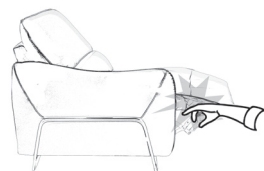
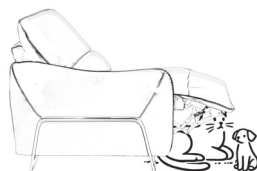
4



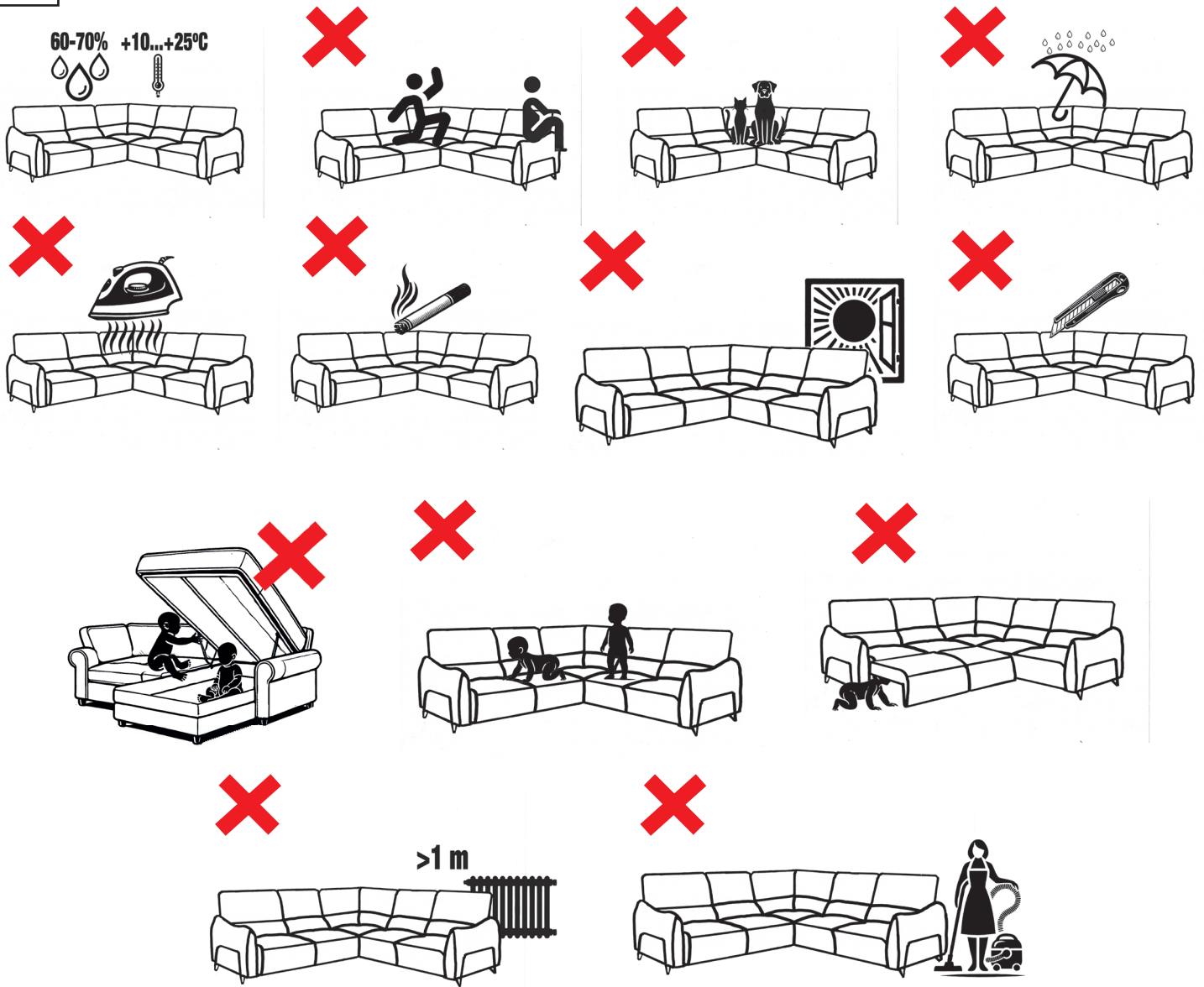
5



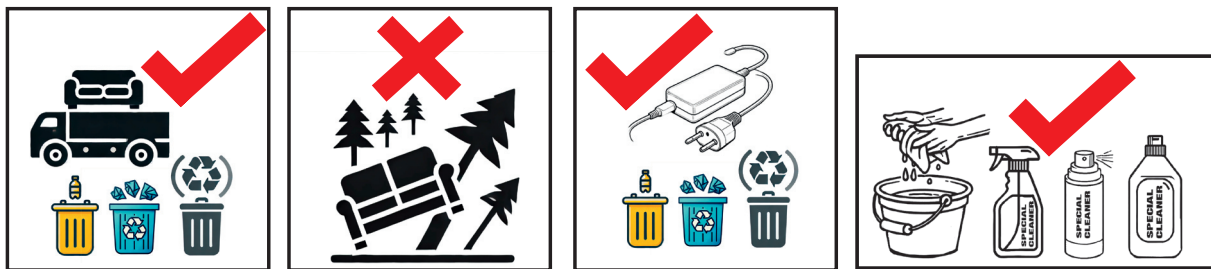
6



6



7



AC/DC ADAPTER
 Model No: KDDY008H
 Input: 100-240V~ 50/60Hz 2.4A
 Output: 20.0V = 2.0A 58.0W;
 28.0V = 4.0A Max 116.0W;
 Duty Cycle: Max10%2min ON/18min OFF
 Caution: risk of electric shock; Dry location use only!
 CHANGZHOU KAI DI ELECTRICAL INC. S/N:2024051801995

AC/DC ADAPTER
 Model No: ZBHWX-A290020-A
 Input: 100-240V 50/60Hz 1.5A
 Output: DC 20.0V = 2.0A 58.0W
 Duty Cycle: Max10%; Max T_ON: 2min
 Date Code: 05.2021
 Efficiency Level: Ⓢ
CAUTION
 Risk of Electric Shock
 Dry location use only
 See instruction manual for use in countries
 Other than the U. S. A.
 This Class B digital apparatus
 complies with Canadian ICES-003
 This device complies with part 15 of
 the FCC rules
 Class 2 Power Unit
 UL LISTED FC CE
 See the instruction manual for
 proper selection of the power
 supply cord
 Made In China

eMOMO Power Supply
 MODEL: R122-0502000ED
 INPUT: 100-240V~
 50/60Hz 0.6A
 OUTPUT: 5.0V = 2.0A 10.0W
 MADE IN CHINA



AXELL 3/3