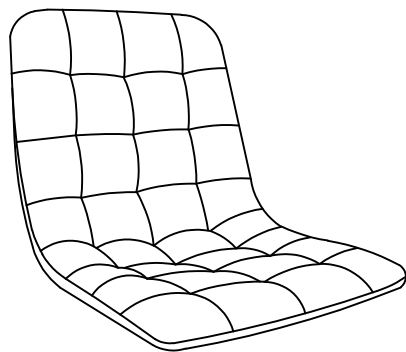


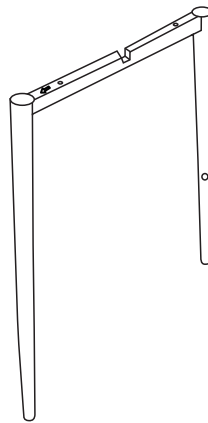
ABADA (GBAR895Aa-1)



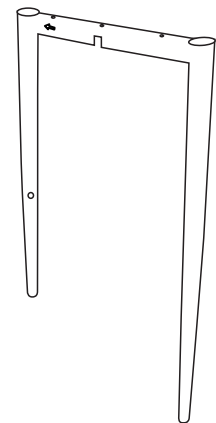
1



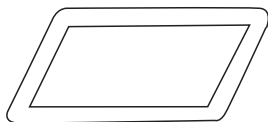
2



3

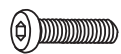


4



1	1 x
2	1 x
3	1 x
4	1 x

A



M6x45mm

4x

B



M6x32mm

5x

C



Ø16xØ6x1.5mm

5x

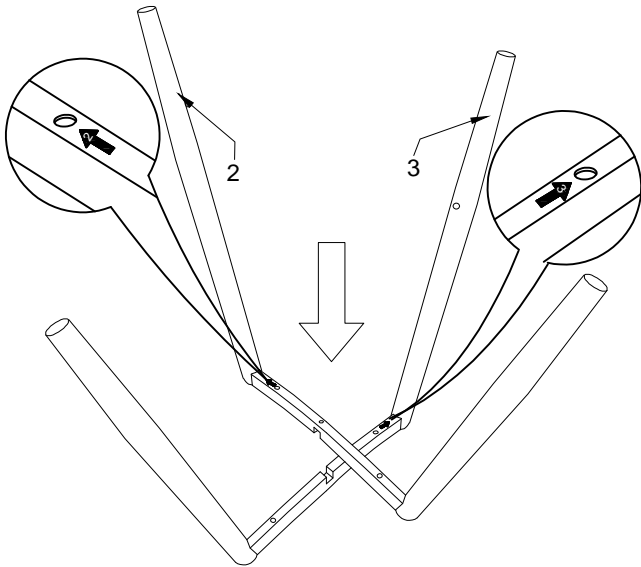
D



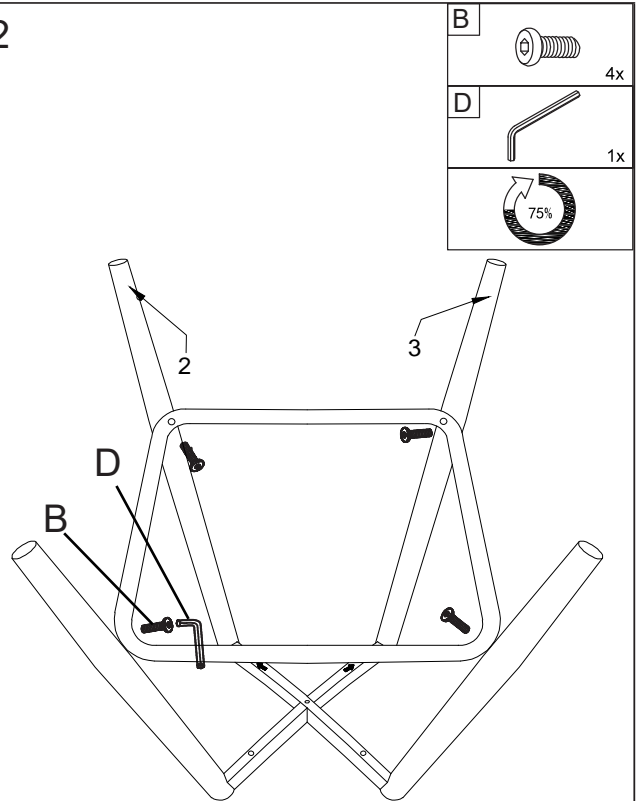
5MM

1x

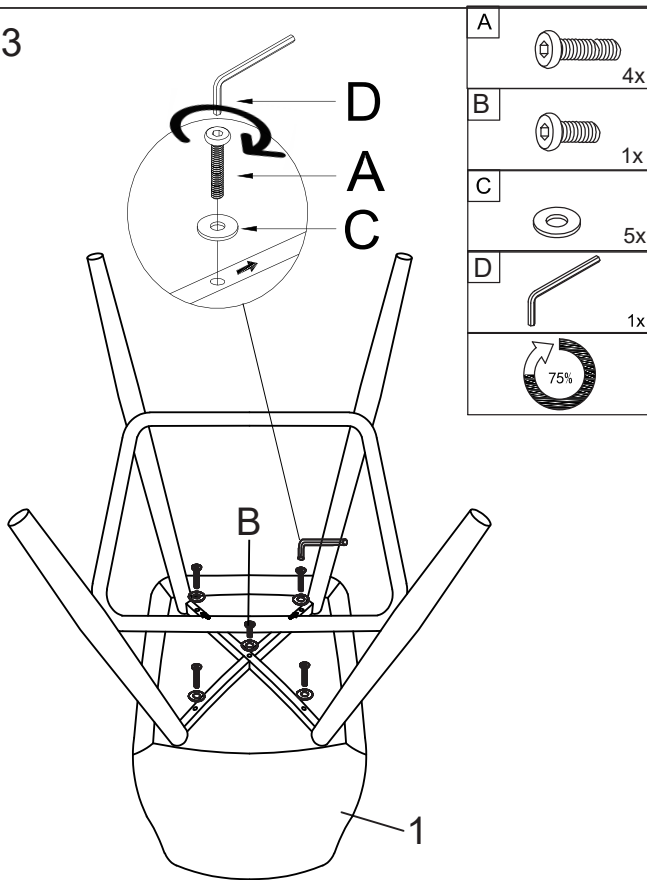
1



2



3



4

