

(DELLONDI)
ECT-280



X2



15MIN

A (m6x10)



X8

B (m5)



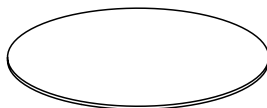
X1

C (12x4mm)



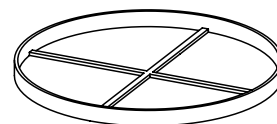
X4

①



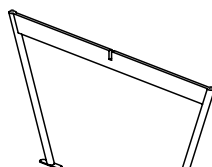
X1

②



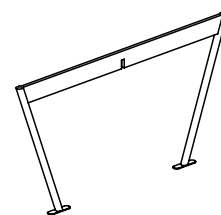
X1

③



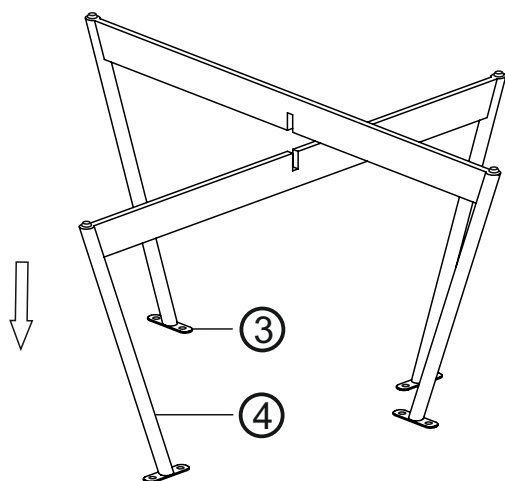
X1

④

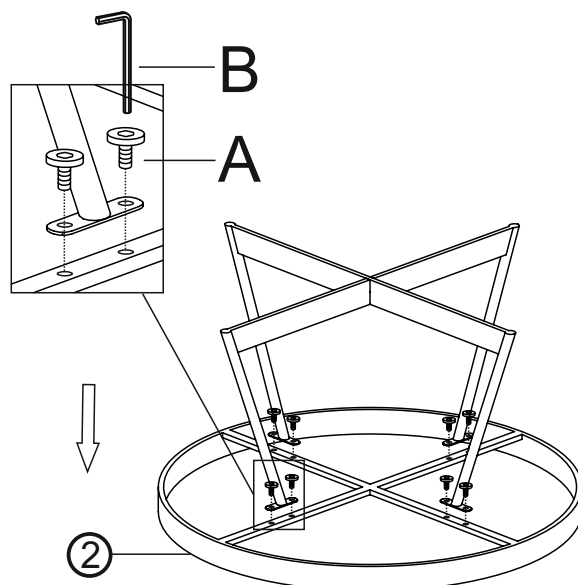


X1

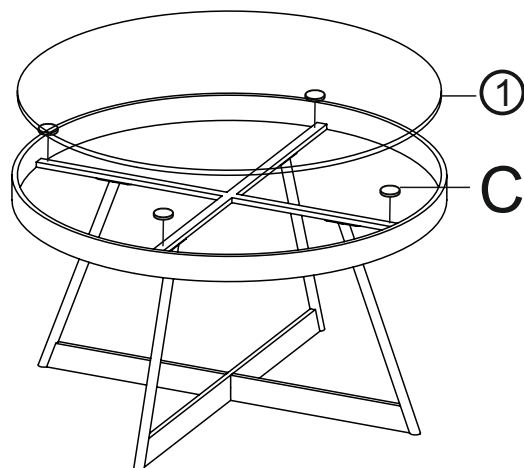
1



2



3



4

